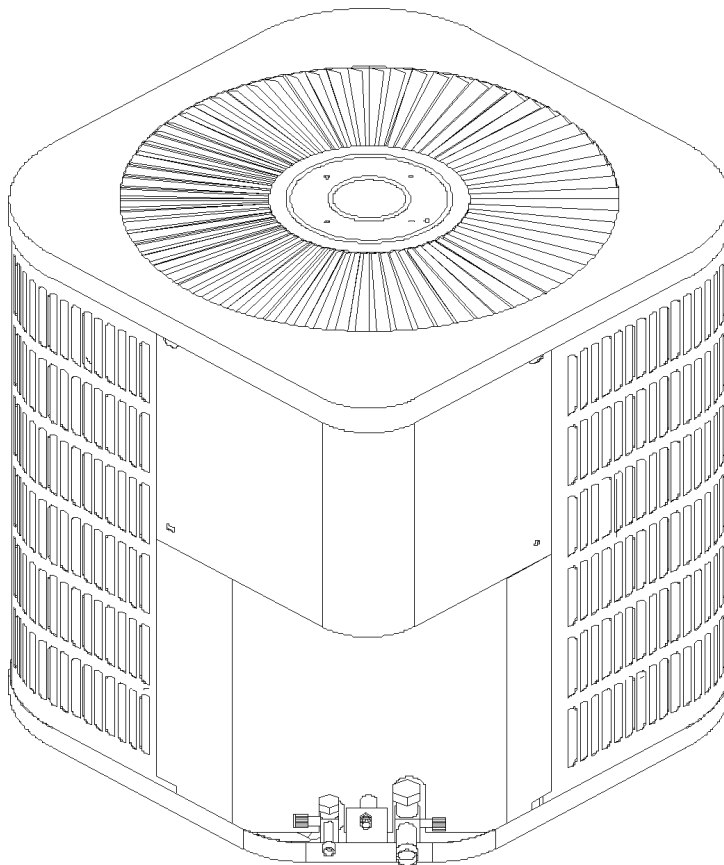
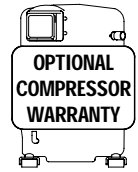




REPAIR PARTS

CLJ Remote 12 SEER Condensing Units



- CLJ18-1
- CLJ18-1A
- CLJ24-1
- CLJ24-1A
- CLJ30-1
- CLJ30-1A
- CLJ36-1
- CLJ36-1A
- CLJ42-1
- CLJ42-1A
- CLJ42-1B
- CLJ48-1
- CLJ48-1A
- CLJ60-1
- CLJ64-1

Made in the USA by:
Goodman Manufacturing Company, L.P.
2550 North Loop West, Suite 400
Houston Texas 77092

www.goodmanmfg.com

RP-279H
Revision 0
October 2006

Important Information

Index

Functional Parts List	3
Illustration and Parts	4 - 7

Views shown are for parts illustrations only, not servicing procedures

Rev. H: Corrected suction valve parts. Changed B1282567 to B12825167 and B12825166

Text Codes:

AR - As Required

NA - Not Available

NS - Not Shown

00000000 - See Note

QTY - Quantity Example (QTY 3) (If Quantity not shown, Quantity = 1)

M - Model Example (M1) (If M Code not shown, then part is used on all Models)

Expanded Model Nomenclature:

Example	
M1 - Model#1	P _____
M2 - Model#2	P _____
M3 - Model#3	P _____

Goodman Manufacturing Company, L.P. is not responsible for personal injury or property damage resulting from improper service. Review all service information before beginning repairs.

Warranty service must be performed by an authorized technician, using authorized factory parts. If service is required after the warranty expires, Goodman Manufacturing Company, L.P. also recommends contacting an authorized technician and using authorized factory parts.

Goodman Manufacturing Company, L.P., reserves the right to discontinue, or change at any time, specifications or designs without notice or without incurring obligations. Goodman® brand products are made proudly in the

For assistance within the U.S.A. contact:

Consumer Affairs Department
Goodman Manufacturing Company, L.P.
7401 Security Way
Houston, Texas 77040
877-254-4729-Telephone
713-863-2382-Facsimile

For assistance outside the U.S.A. contact:

International Division
Goodman Manufacturing Company, L.P.
7401 Security Way
Houston, Texas 77040
713-861-2500-Telephone
713-863-2382-Facsimile

Functional Parts

Part No:

Description:

B94576000	CAPACITOR DUAL SECTION, 25 MFD, 5 MFD, 370 VAC (M1, M2)	B13400252	FAN MOTOR 208/230-60V-1, 1 SPEED, 1075 RPM, 1/6 HP (M1, M2, M4)
B94578700	CAPACITOR DUAL SECTION, 30 MFD, 5 MFD, 370 VAC (M3, M4)	B13400270	FAN MOTOR 208/230-60V-1, 1 SPEED, 830 RPM, 1/4 HP CCW (M8, M9, M10, M11)
B94575300	CAPACITOR DUAL SECTION, 35 MFD, 5 MFD, 370 VAC (M5, M6, M8)	B13400271	FAN MOTOR 208/230-60V-1, 1 SPEED, 830 RPM, 1/4 HP CW (M15)
B94575400	CAPACITOR DUAL SECTION, 35 MFD, 5 MFD, 440 VAC (M7)	B13400348	FAN MOTOR 208/230-60V-1, 1 SPEED, 840 RPM, 1/6 HP (M3, M5, M6, M7)
B94575500	CAPACITOR DUAL SECTION, 40 MFD, 5 MFD, 370 VAC (M9)	B1219225	FILTER-DRIER (M12, M13, M14, M15)
B94577200	CAPACITOR DUAL SECTION, 45 MFD, 5 MFD, 370 VAC (M10, M12)	B1209212	FILTER-DRIER (M1, M2, M3, M4, M5, M6, M7, M8, M9, M10, M11)
B94577400	CAPACITOR DUAL SECTION, 50 MFD, 5 MFD, 370 VAC (M11)	B1789855	FLOW CHECK PISTON KIT (M2)
B94577500	CAPACITOR DUAL SECTION, 60 MFD, 5 MFD, 370 VAC (M13)	B1789859	FLOW CHECK PISTON KIT (M3)
B94577700	CAPACITOR DUAL SECTION, 70 MFD, 5 MFD, 370 VAC (M15)	B1789865	FLOW CHECK PISTON KIT (M5, M6)
B94577600	CAPACITOR DUAL SECTION, 80 MFD, 5 MFD, 370 VAC (M14) <small>If ordering ZR61KCPFV950 Compressor, must use B94577700 Capacitor.</small>	B1789873	FLOW CHECK PISTON KIT (M7, M8)
CR16K6PFV920	COMPRESSOR, CR16K6-PFV-220 (M2)	B1789878	FLOW CHECK PISTON KIT (M9, M10, M11)
CR18K6PFV920	COMPRESSOR, CR18K6-PFV-220 (M4)	B1789884	FLOW CHECK PISTON KIT (M12)
CR24K7PFV930	COMPRESSOR, CR24K7-PFV-230 (M6)	B1789893	FLOW CHECK PISTON KIT (M14)
CR30K6PFV920	COMPRESSOR, CR30K6-PFV-233 (M8) <small>Old Part # B9266373</small>	B1789857	FLOW CHECK PISTON KIT (M4)
CR34K6PFV920	COMPRESSOR, CR34K6-PFV-233 (M7, M11) <small>Old Part # B9266370</small>	B1789855	FLOW CHECK PISTON KIT (M1)
CR35K6PFV920	COMPRESSOR, CR35K6-PFV-233 (M9) <small>Old Part # B9266351</small>	B1789898	FLOW CHECK PISTON KIT (M15)
B9266837AS	COMPRESSOR, H25B14UABCA (M1)	B1789882	FLOW CHECK PISTON KIT (M13)
B9266840AS	COMPRESSOR, H29A423CBCA (M12)	B1141670	START ASSIST (M12)
B9266844AS	COMPRESSOR, H29B20UABCA (M3)		
B9266833AS	COMPRESSOR, H29B24UABCA (M5)		
B9266831AS	COMPRESSOR, H29B35UABCA (M10)		
ZR42K3PFV930	COMPRESSOR, ZR42K3-PFV-230 (M13) <small>Old Part # B9266352</small>		
ZR54K3PFV930	COMPRESSOR, ZR54K3-PFV-230 (M14) <small>Old Part # B9266349</small>		
ZR61KCPFV950	COMPRESSOR, ZR61KC-PFV-250 (M15) <small>Old Part # B9266393 Note: If ordering ZR61KCPFV950 Compressor, must u</small>		
12621-03	CRATED COND. SERVICE COIL W/ FILTER DRIER (M1, M2)		
12621-05	CRATED COND. SERVICE COIL W/ FILTER DRIER (M3, M4)		
12621-12	CRATED COND. SERVICE COIL W/ FILTER DRIER (M14)		
12621-07	CRATED COND. SERVICE COIL W/ FILTER DRIER (M5, M6)		
12621-15	CRATED COND. SERVICE COIL W/ FILTER DRIER (M15)		
12621-09	CRATED COND. SERVICE COIL W/ FILTER DRIER (M7, M8)		
12621-10	CRATED COND. SERVICE COIL W/ FILTER DRIER (M9, M10, M11, M12, M13)		
B13400247	FAN MOTOR 208/230-60V-1, 1 SPEED, 1075 RPM, 1/4 HP (M12, M13, M14)		

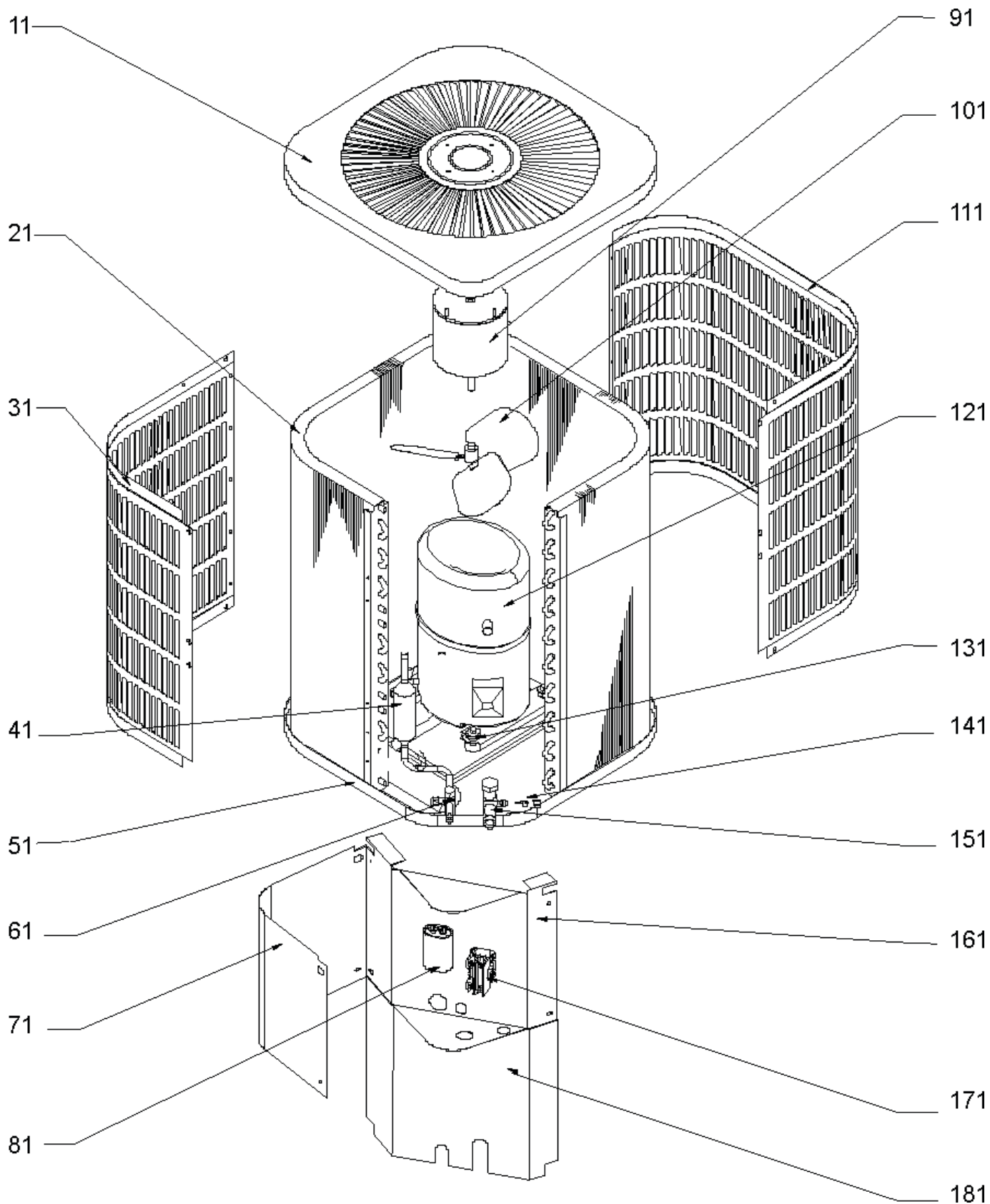
SPECIAL PARTS

IO-101	INSTALLTION AND OPERATION MANUAL
PW-309	PRODUCT WARRANTY, 10 YEARS
RP-279	REPAIR PARTS MANUAL
SS-336	SPECIFICATION SHEET
B1610629	SPRAY PAINT (HIGH GLOSS BAHAMA BEIGE)

Expanded Model Nomenclature

M1 - CLJ18-1	CLJ18-1
M2 - CLJ18-1A	CLJ18-1A
M3 - CLJ24-1	CLJ24-1
M4 - CLJ24-1A	CLJ24-1A
M5 - CLJ30-1	CLJ30-1
M6 - CLJ30-1A	CLJ30-1A
M7 - CLJ36-1	CLJ36-1
M8 - CLJ36-1A	CLJ36-1A
M9 - CLJ42-1	CLJ42-1
M10 - CLJ42-1A	CLJ42-1A
M11 - CLJ42-1B	CLJ42-1B
M12 - CLJ48-1	CLJ48-1
M13 - CLJ48-1A	CLJ48-1A
M14 - CLJ60-1	CLJ60-1
M15 - CLJ64-1	CLJ64-1

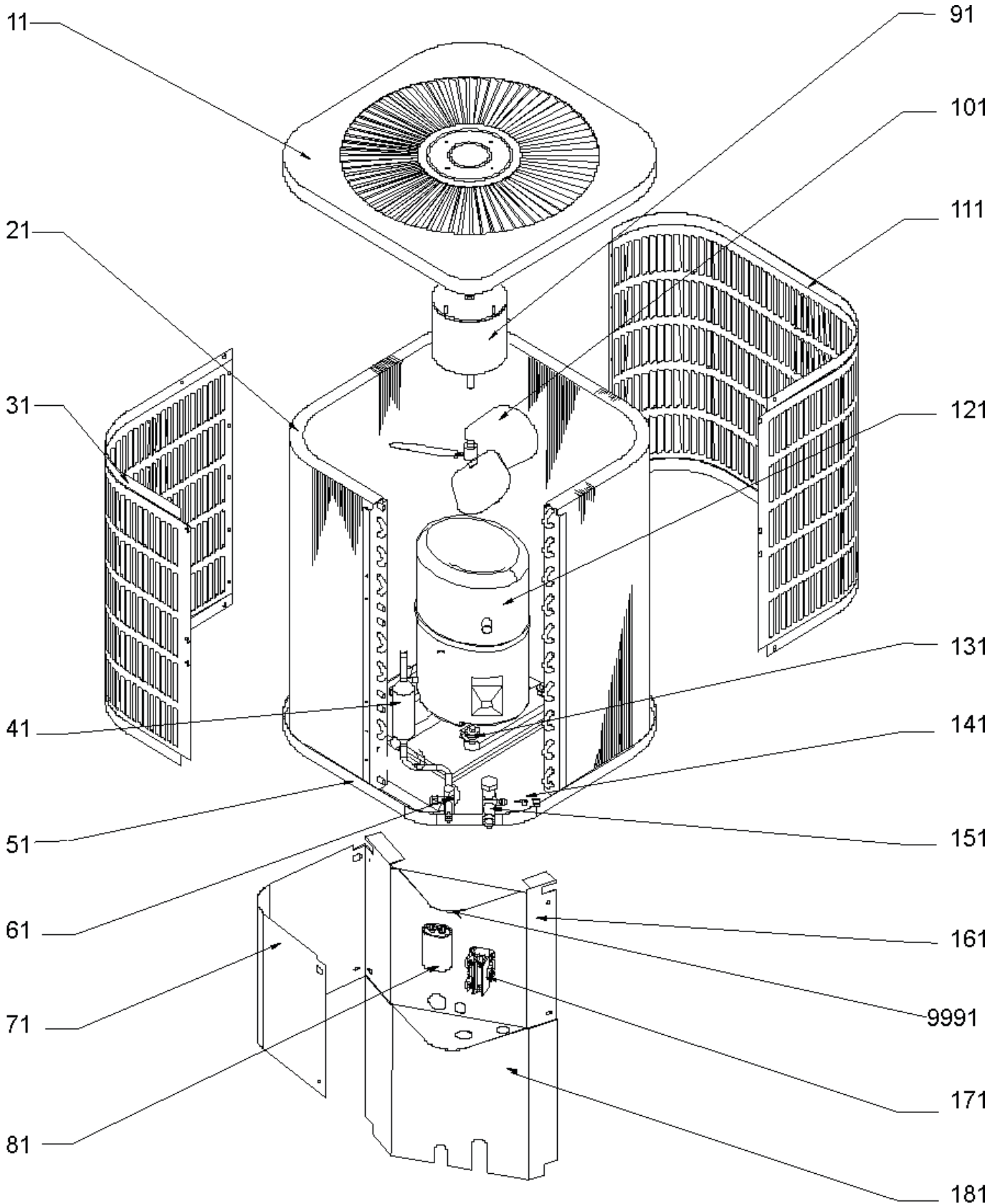
CLJ18 - 36-1A Chassis and Control Box



CLJ18 - 36-1A Chassis and Control Box

Ref. Part No:	No:	Description:	Ref. Part No:	No:	Description:
<i>Image 1:</i>			121	B9266833AS	COMPRESSOR, H29B24UABCA (M5)
11	1779405P	TOP PANEL (LOUVERED) (M1, M2, M3, M4)	131	B1339530	GROMMET, COMPRESSOR (M1, M2, M3, M4, M5, M6, M7, M8)
11	1779406P	TOP PANEL (LOUVERED) (M8)	141	B1787000	VALVE CORE (M1, M2, M3, M4, M5, M6, M7, M8)
11	1779415P	TOP PANEL (LOUVERED) (M5, M6, M7)	151	B12825166	SUCTION BASE VALVE (3/4" X 3/4") (M1, M2, M3, M4, M5, M6, M7, M8)
21	12621-03	CRATED COND. SERVICE COIL W/ FILTER DRIER (M1, M2)	161	1787623	CONTROL BOX (M1, M2, M3, M4, M5, M6, M7, M8)
21	12621-05	CRATED COND. SERVICE COIL W/ FILTER DRIER (M3, M4)	171	B1360321	CONTACTOR, 25 FLA, 125 LRA, 1 POLE (M1, M2, M3, M4, M5, M6, M7, M8)
21	12621-07	CRATED COND. SERVICE COIL W/ FILTER DRIER (M5, M6)	181	1787707P	ACCESS PANEL 25" (M1, M2, M5, M6)
21	12621-09	CRATED COND. SERVICE COIL W/ FILTER DRIER (M7, M8)	181	1787708P	ACCESS PANEL 27.5" (M7, M8)
31	1259551P	LOUVER PANEL, 25.0" HAIRPIN SIDE (M1, M2)	181	1787709P	ACCESS PANEL 30" (M3, M4)
31	1259560P	LOUVER PANEL, 25.0" HAIRPIN SIDE (M5, M6)	NS	1284835	CAPACITOR STRAP
31	1259568P	LOUVER PANEL, 27.5" HAIRPIN SIDE (M7, M8)	NS	B1488806	COMPRESSOR SOUND BLANKET
31	1259553P	LOUVER PANEL, 30.0" HAIRPIN SIDE (M3, M4)	NS	B1610629	SPRAY PAINT (HIGH GLOSS BAHAMA BEIGE)
41	B1209212	FILTER-DRIER (M1, M2, M3, M4, M5, M6, M7, M8)	Expanded Model Nomenclature		
51	1787212P	BOTTOM PAN (LARGE) (M5, M6, M7, M8)	M1 - CLJ18-1	CLJ18-1	
51	1787211P	BOTTOM PAN (SMALL) (M1, M2, M3, M4)	M2 - CLJ18-1A	CLJ18-1A	
61	B1282571	BASE VALVE, LIQUID LINE (3/8" X 5/16")	M3 - CLJ24-1	CLJ24-1	
71	1787624P	CONTROL BOX COVER (M1, M2, M3, M4, M5, M6, M7, M8)	M4 - CLJ24-1A	CLJ24-1A	
81	B94576000	CAPACITOR DUAL SECTION, 25 MFD, 5 MFD, 370 VAC (M1, M2)	M5 - CLJ30-1	CLJ30-1	
81	B94578700	CAPACITOR DUAL SECTION, 30 MFD, 5 MFD, 370 VAC (M3, M4)	M6 - CLJ30-1A	CLJ30-1A	
81	B94575300	CAPACITOR DUAL SECTION, 35 MFD, 5 MFD, 370 VAC (M5, M6, M8)	M7 - CLJ36-1	CLJ36-1	
81	B94575400	CAPACITOR DUAL SECTION, 35 MFD, 5 MFD, 440 VAC (M7)	M8 - CLJ36-1A	CLJ36-1A	
91	B13400252	FAN MOTOR 208/230-60V-1, 1 SPEED, 1075 RPM, 1/6 HP (M1, M2, M4)	M9 - CLJ42-1	CLJ42-1	
91	B13400270	FAN MOTOR 208/230-60V-1, 1 SPEED, 830 RPM, 1/4 HP CCW (M8)	M10 - CLJ42-1A	CLJ42-1A	
91	B13400348	FAN MOTOR 208/230-60V-1, 1 SPEED, 840 RPM, 1/6 HP (M3, M5, M6, M7)	M11 - CLJ42-1B	CLJ42-1B	
101	B1086771	FAN BLADE, 3 BLADE, 18" DIAMETER (M2, M4)	M12 - CLJ48-1	CLJ48-1	
101	B1086756	FAN BLADE, 3 BLADE, 29°, 18" DIAMETER (M1, M3)	M13 - CLJ48-1A	CLJ48-1A	
101	B1086750	FAN BLADE, 3 BLADE, 29°, 22" DIAMETER (M5, M7)	M14 - CLJ60-1	CLJ60-1	
101	B1086770	FAN BLADE, 4 BLADE, 22°, 26" DIAMETER (M6, M8)	M15 - CLJ64-1	CLJ64-1	
111	1259564P	LOUVER PANEL, 25.0" RETURN SIDE (M5, M6)			
111	1259556P	LOUVER PANEL, 26.0" RETURN SIDE (M1, M2)			
111	1259571P	LOUVER PANEL, 27.5" RETURN SIDE (M7, M8)			
111	1259558P	LOUVER PANEL, 30.0" RETURN SIDE (M3, M4)			
121	CR16K6PFV920	COMPRESSOR, CR16K6-PFV-220 (M2)			
121	CR18K6PFV920	COMPRESSOR, CR18K6-PFV-220 (M4)			
121	CR24K7PFV930	COMPRESSOR, CR24K7-PFV-230 (M6)			
121	CR30K6PFV920	COMPRESSOR, CR30K6-PFV-233 (M8)			
121	CR34K6PFV920	COMPRESSOR, CR34K6-PFV-233 (M7)			
121	B9266837AS	COMPRESSOR, H25B14UABCA (M1)			
121	B9266844AS	COMPRESSOR, H29B20UABCA (M3)			

CLJ42 - 64 Chassis and Control Box



CLJ42 - 64 Chassis and Control Box

Ref. Part No:	No:	Description:	Ref. Part No:	No:	Description:
<i>Image 1:</i>			121	ZR61KCPFV950	COMPRESSOR, ZR61KC-PFV-250 (M15)
11	1779406P	TOP PANEL (LOUVERED) (M9, M10, M12, M13, M14)	131	B1339530	GROMMET, COMPRESSOR (M9, M10, M11, M12)
11	1779415P	TOP PANEL (LOUVERED) (M11)	131	B1339533	GROMMET, COMPRESSOR (M13, M14, M15)
11	4279400P	TOP PANEL (LOUVERED) (M15)	141	B1787000	VALVE CORE (M9, M10, M11, M12, M13, M14, M15)
21	12621-10	CRATED COND. SERVICE COIL W/ FILTER DRIER (M9, M10, M11, M12, M13)	151	B12825167	SUCTION BASE VALVE (7/8" X 7/8") (M9, M10, M11, M12, M13, M14, M15)
21	12621-12	CRATED COND. SERVICE COIL W/ FILTER DRIER (M14)	161	1787623	CONTROL BOX (M9, M10, M11, M12, M13, M14)
21	12621-15	CRATED COND. SERVICE COIL W/ FILTER DRIER (M15)	161	4202006	CONTROL BOX (M15)
31	1259561P	LOUVER PANEL, 30.0" HAIRPIN SIDE (M9, M10, M11, M12, M13)	171	B1360321	CONTACTOR, 25 FLA, 125 LRA, 1 POLE (M9, M10, M11)
31	1259563P	LOUVER PANEL, 40.0" HAIRPIN SIDE (M14, M15)	171	B1360324	CONTACTOR, 30 FLA, 150 LRA, 1 POLE (M12, M13)
41	B1209212	FILTER-DRIER (M9, M10, M11)	171	B1360305	CONTACTOR, 40 FLA, 240 LRA, 1-POLE (M14, M15)
41	B1219225	FILTER-DRIER (M12, M13, M14, M15)	181	1787709P	ACCESS PANEL 30" (M9, M10, M11, M12, M13)
51	4279100P	BASEPAN 35" (M15)	181	1787718P	ACCESS PANEL 40" (M14, M15)
51	1787212P	BOTTOM PAN (LARGE) (M9, M10, M11, M12, M13, M14)	9991	B1141670	START ASSIST (M12)
61	B1282571	BASE VALVE, LIQUID LINE (3/8" X 5/16")	NS	1284835	CAPACITOR STRAP
71	1787624P	CONTROL BOX COVER (M9, M10, M11, M12, M13, M14)	NS	B1488806	COMPRESSOR SOUND BLANKET
81	B94575500	CAPACITOR DUAL SECTION, 40 MFD, 5 MFD, 370 VAC (M9)	NS	B1376925	FAN GRILL GUARD, 26" (M15)
81	B94577200	CAPACITOR DUAL SECTION, 45 MFD, 5 MFD, 370 VAC (M10, M12)	NS	B1376927	MOTOR MOUNTING BRACKET (M15)
81	B94577400	CAPACITOR DUAL SECTION, 50 MFD, 5 MFD, 370 VAC (M11)	NS	B1610629	SPRAY PAINT (HIGH GLOSS BAHAMA BEIGE)
81	B94577500	CAPACITOR DUAL SECTION, 60 MFD, 5 MFD, 370 VAC (M13)	Expanded Model Nomenclature		
81	B94577700	CAPACITOR DUAL SECTION, 70 MFD, 5 MFD, 370 VAC (M15)	M1 - CLJ18-1	CLJ18-1	
81	B94577600	CAPACITOR DUAL SECTION, 80 MFD, 5 MFD, 370 VAC (M14)	M2 - CLJ18-1A	CLJ18-1A	
91	B13400247	FAN MOTOR 208/230-60V-1, 1 SPEED, 1075 RPM, 1/4 HP (M12, M13, M14)	M3 - CLJ24-1	CLJ24-1	
91	B13400270	FAN MOTOR 208/230-60V-1, 1 SPEED, 830 RPM, 1/4 HP CCW (M9, M10, M11)	M4 - CLJ24-1A	CLJ24-1A	
91	B13400271	FAN MOTOR 208/230-60V-1, 1 SPEED, 830 RPM, 1/4 HP CW (M15)	M5 - CLJ30-1	CLJ30-1	
101	B1086750	FAN BLADE, 3 BLADE, 29°, 22" DIAMETER (M12, M14)	M6 - CLJ30-1A	CLJ30-1A	
101	B1086748	FAN BLADE, 3 BLADE, 30°, 22" DIAMETER (M9, M11)	M7 - CLJ36-1	CLJ36-1	
101	B1086769	FAN BLADE, 4 BLADE, 22°, 26" DIAMETER (M15)	M8 - CLJ36-1A	CLJ36-1A	
101	B1086770	FAN BLADE, 4 BLADE, 22°, 26" DIAMETER (M10, M13)	M9 - CLJ42-1	CLJ42-1	
111	1259565P	LOUVER PANEL, 30.0" RETURN SIDE (M9, M10, M11, M12, M13)	M10 - CLJ42-1A	CLJ42-1A	
111	1259567P	LOUVER PANEL, 40.0" RETURN SIDE (M14, M15)	M11 - CLJ42-1B	CLJ42-1B	
121	CR34K6PFV920	COMPRESSOR, CR34K6-PFV-220 (M11)	M12 - CLJ48-1	CLJ48-1	
121	CR35K6PFV920	COMPRESSOR, CR35K6-PFV-233 (M9)	M13 - CLJ48-1A	CLJ48-1A	
121	B9266840AS	COMPRESSOR, H29A423CBCA (M12)	M14 - CLJ60-1	CLJ60-1	
121	B9266831AS	COMPRESSOR, H29B35UABCA (M10)	M15 - CLJ64-1	CLJ64-1	
121	ZR42K3PFV930	COMPRESSOR, ZR42K3-PFV-230 (M13)			
121	ZR54K3PFV930	COMPRESSOR, ZR54K3-PFV-230 (M14)			