



# REPAIR PARTS

## CA/CL\* Condensing Units

CA17-1B  
CA24-1B  
CA30-1C  
CA36-1C  
CL18-1AB  
CL18-1AC  
CL18-1B  
CL18-1DB  
CL21-1B  
CL21-1P  
CL24-1AB  
CL24-1AC  
CL24-1B  
CL30-1AB  
CL30-1AC  
CL31-1C  
CL35-1B  
CL35-1C  
CL35-3B  
CL36-1B  
CL36-1C  
CL42-1B  
CL42-1C  
CL48-1AB  
CL48-1AC  
CL48-1B  
CL48-1C  
CL48-3B  
CL60-1AB  
CL60-1AC  
CL60-1B  
CL60-1C  
CL60-3B  
CL60-3C  
CL60-4B

This manual is to be used by qualified technicians only.

© 1987-2008 Goodman Manufacturing Company, L.P. ♦ 5151 San Felipe, Suite 500 ♦ Houston, TX 77056



# Important Information

---

## Index

Functional Parts List .....	3 - 4
Illustration and Parts .....	6 - 11

*Views shown are for parts illustrations only, not servicing procedures.*

### Text Codes:

AR - As Required

NA - Not Available

NS - Not Shown

00000000 - See Note

QTY - Quantity Example (QTY 3) (If Quantity not shown, Quantity = 1)

M - Model Example (M1) (If M Code not shown, then part is used on all Models)

### Expanded Model Nomenclature:

Example M1 - Model#1 M2 - Model#2 M3 - Model#3
---

Goodman Manufacturing Company, L.P. is not responsible for personal injury or property damage resulting from improper service. Review all service information before beginning repairs.

Warranty service must be performed by an authorized technician, using authorized factory parts. If service is required after the warranty expires, Goodman Manufacturing Company, L.P. also recommends contacting an authorized technician and using authorized factory parts.

Goodman Manufacturing Company, L.P. reserves the right to discontinue, or change at any time, specifications or designs without notice or without incurring obligations.

For assistance within the U.S.A. contact:  
Consumer Affairs Department  
Goodman Manufacturing Company, L.P.  
7401 Security Way  
Houston, Texas 77040  
877-254-4729-Telephone  
713-863-2382-Facsimile

For assistance outside the U.S.A. contact:  
International Division  
Goodman Manufacturing Company, L.P.  
7401 Security Way  
Houston, Texas 77040  
713-861-2500-Telephone  
713-863-2382-Facsimile

# Functional Parts

## Part

## No: Description:

Part No:	Description:	Part No:	Description:
CAP050200370RSS	CAPACITOR 5/20/370V (M1, M5, M7, M8)	B13400269	COND MOTOR 460-60-1 (M24, M25, M27, M28, M29, M30, M31, M32, M33, M34, M35)
CAP050250370RSS	CAPACITOR 5/25/370V (M6, M9, M13)	B1360303	CONTACTOR 20 AMP, 3P, 277V (M19)
CAP050300370RSS	CAPACITOR 5/30/370V (M11, M12)	B1360321	CONTACTOR 23 AMP, 1P, 240V (M1, M2, M3, M4, M5, M6, M7, M8, M9, M10, M11, M12, M13, M14, M15, M16, M17, M18, M20, M21)
CAP050350370RSS	CAPACITOR 5/35/370V (M2, M3, M15, M16)	CONT2P025024VS	CONTACTOR 24 AMP, 1P, 240V (M22, M23)
CAP050350440RSS	CAPACITOR 5/35/440V (M17, M20)	CONT3P025024VS	CONTACTOR 25 AMP, 3P, 240V (M28, M33, M34, M35)
CAP050000370VAS	CAPACITOR 5/370V (M19, M28, M33, M34, M35)	CONT2P030024VS	CONTACTOR 30 AMP, 1P, 240V (M24, M25, M26, M27)
CAP050400370RSS	CAPACITOR 5/40/370V (M4, M10, M14, M18, M21)	CONT2P040024VS	CONTACTOR 40 AMP, 2P, 240V (M29, M30, M31, M32)
CAP050400440RTS	CAPACITOR 5/40/440V (M22, M23, M24, M25, M26, M27)	B1243733	CRANKCASE HEATER (M28, M29, M33)
CAP050450440RTS	CAPACITOR 5/45/440V (M30, M31, M32)	B1243732	CRANKCASE HEATER (M25, M27, M30, M32, M34)
CAP050550440RTS	CAPACITOR 5/55/440V (M29)	B1243731	CRANKCASE HEATER (M24, M31, M35)
B9266404	COMPRESSOR #2K28C3A236A-6U (M10)	B1243731	CRANKCASE HEATER #H21A (M26)
B9266300	COMPRESSOR #CRH3-0275-PFV-230 (M4, M18, M21)		
B9266302	COMPRESSOR #CRK3-0325-PFV-230 (M23)		
B9266304	COMPRESSOR #CRL3-0350-PFV-270 (M25, M27)		
B9266305	COMPRESSOR #CRP1-0450-PFV-270 (M30, M32)		
B9266313	COMPRESSOR #CRP1-0450-TF5-270 (M34)		
B9266270	COMPRESSOR #H20B153ABCA (M1, M5, M7, M8)		
CR20K6PFV960	COMPRESSOR #H20B203ABCA (M9)		
CR18K6PFV960	COMPRESSOR #H20B223ABCA (M13)		
CR22K6PFV970	COMPRESSOR #H20B243ABCA (M2)		
B9266264	COMPRESSOR #H21A343ABCA (M16)		
B9266265	COMPRESSOR #H21A413ABCA (M22)		
B9266266	COMPRESSOR #H21A463ABCA (M24, M26)		
CR22K6PFV960	COMPRESSOR #H21B223ABCA (M11)		
B9266220	COMPRESSOR #H21B293ABCA (M14)		
B9266267	COMPRESSOR #H21C533ABCA (M31)		
CR35K6PFV960	COMPRESSOR #H23A353ABCA (M17)		
B9266200	COMPRESSOR #H23A353DBLA (M19)		
B9266296	COMPRESSOR #H23A463DBLA (M28)		
B9266294AS	COMPRESSOR #H23A563ABCA (M29)		
B9266211AS	COMPRESSOR #H23A563DBEA (M35)		
B9266295A	COMPRESSOR #H23A563DBLA (M33)		
B9266317	COMPRESSOR #RES3-0175-PFV-216 (M6)		
B9266316	COMPRESSOR #SRB6-0200-PFV-231 (M12)		
B9266312	COMPRESSOR #SRD6-0225-PFV-232 (M3, M15, M16)		
0131M00007PS	COND MOTOR 208/230-60-1 (M35)		
B13400251S	COND MOTOR 208/230-60-1 (M1, M2, M3, M4, M5, M6, M7, M8, M9, M10, M11, M12, M13, M14, M15, M16, M17, M18, M19, M20, M21, M22, M23, M26)		

# Functional Parts

## Part

No: Description:

---

### SPECIAL PARTS

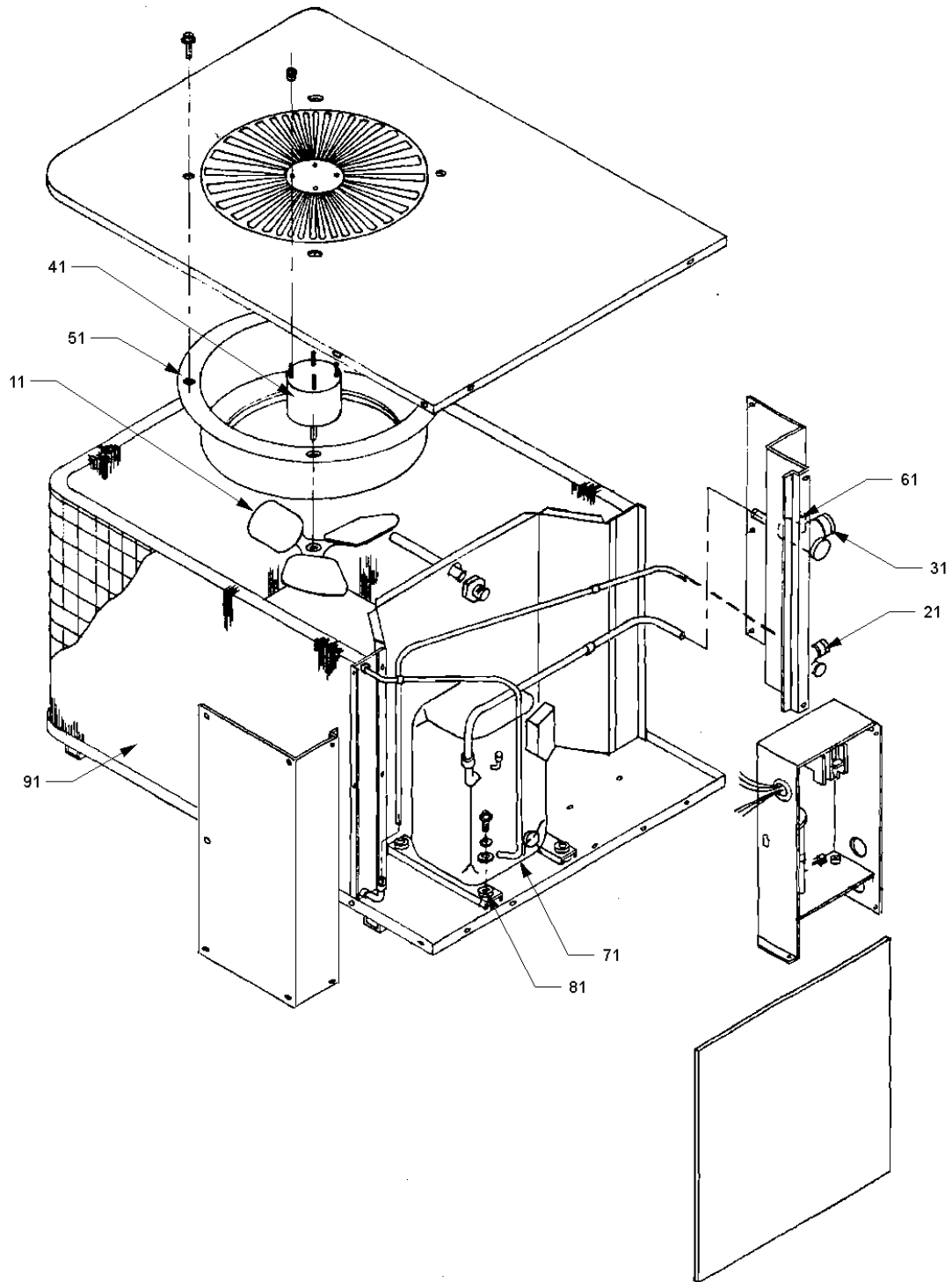
RP-101	REPAIR PARTS MANUAL
260S8290	SPRAY PAINT (ALL UNITS) BAHAMA BEIGE (M1, M2, M3, M4, M5, M6, M7, M8, M9, M10, M11, M12, M13, M14, M15, M16, M17, M18, M19, M20, M21, M22, M23, M26)
260S8280	SPRAY PAINT (ALL UNITS) GRAY (M1, M2, M3, M4, M5, M6, M7, M8, M9, M10, M11, M12, M13, M14, M15, M16, M17, M18, M19, M20, M21, M22, M23, M26)

### Expanded Model Nomenclature

M1 - CA17-1B
M2 - CA24-1B
M3 - CA30-1C
M4 - CA36-1C
M5 - CL18-1AB
M6 - CL18-1AC
M7 - CL18-1B
M8 - CL18-1DB
M9 - CL21-1B
M10 - CL21-1P
M11 - CL24-1AB
M12 - CL24-1AC
M13 - CL24-1B
M14 - CL30-1AB
M15 - CL30-1AC
M16 - CL31-1C
M17 - CL35-1B
M18 - CL35-1C
M19 - CL35-3B
M20 - CL36-1B
M21 - CL36-1C
M22 - CL42-1B
M23 - CL42-1C
M24 - CL48-1AB
M25 - CL48-1AC
M26 - CL48-1B
M27 - CL48-1C
M28 - CL48-3B
M29 - CL60-1AB
M30 - CL60-1AC
M31 - CL60-1B
M32 - CL60-1C
M33 - CL60-3B
M34 - CL60-3C
M35 - CL60-4B

**THIS PAGE INTENTIONALLY LEFT BLANK**

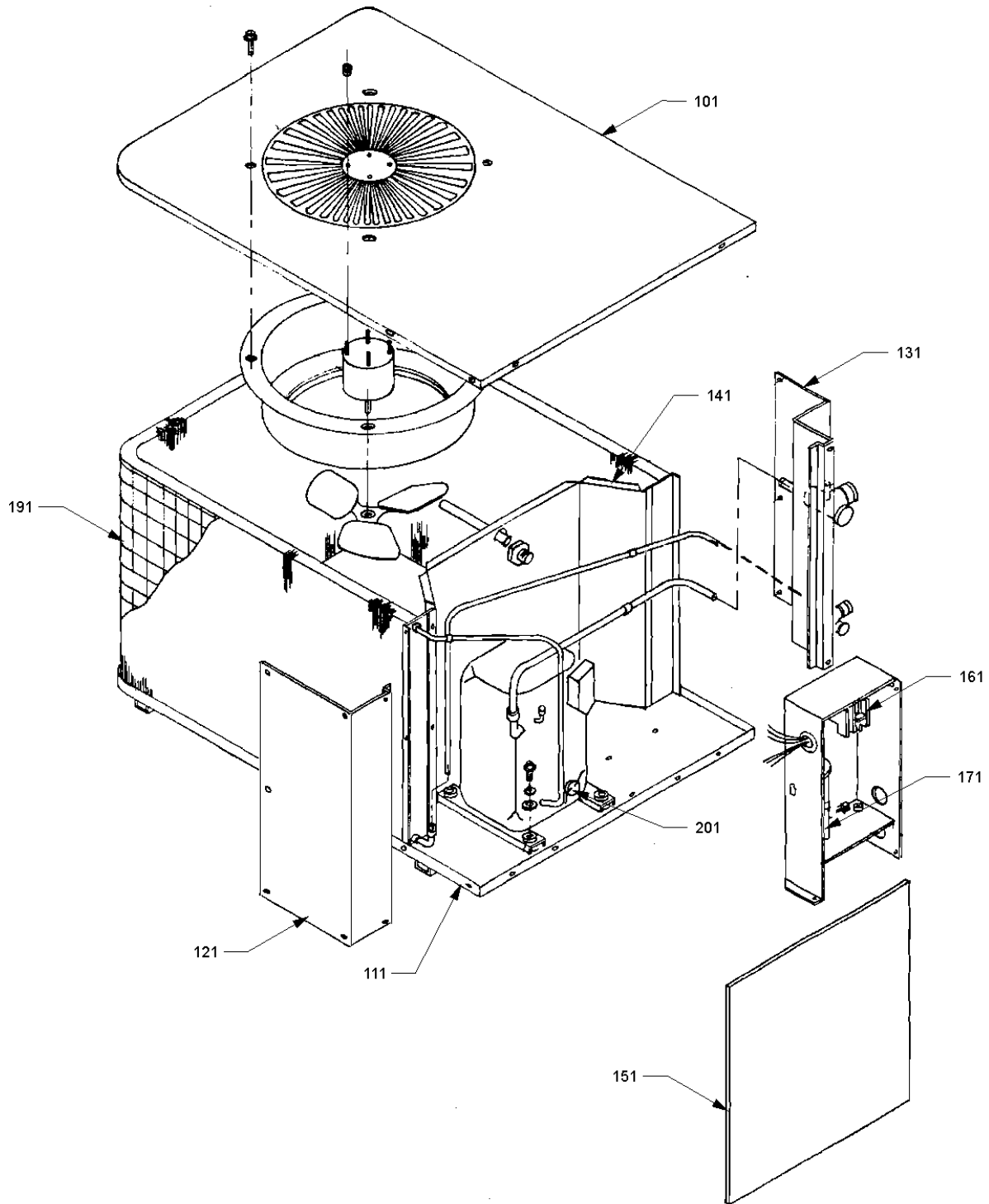
# Replacement Parts List



# Replacement Parts List

Ref. Part No:	No:	Description:	Ref. Part No:	No:	Description:
<i>Image 1:</i>			Expanded Model Nomenclature		
11	BI086756	FAN BLADE 32°P 18" 3 BLADE (M5, M6, M7, M8, M9, M10, M11, M12, M13, M14, M15, M16, M17, M18, M19, M20, M21, M22, M23, M26)	M1 -	CA17-1B	
11	BI086753	FAN BLADE 36°P 18" 2 BLADE (M1, M2, M3, M4)	M2 -	CA24-1B	
21	20163801	3/8" SERVICE VALVE (M1, M2, M3, M4, M5, M6, M7, M8, M9, M10, M11, M12, M13, M14, M15, M16, M17, M18, M19, M20, M21, M22, M23, M26)	M3 -	CA30-1C	
31	B1282566	3/4" SERVICE VALVE (M3, M4, M9, M10, M11, M12, M13, M14, M15, M16, M17, M18, M19, M20, M21, M22, M23, M26)	M4 -	CA36-1C	
31	B1282573	5/8" SERVICE VALVE (M1, M2, M5, M6, M7, M8)	M5 -	CL18-1AB	
41	B13400251S	COND MOTOR 208/230-60-1 (M1, M2, M3, M4, M5, M6, M7, M8, M9, M10, M11, M12, M13, M14, M15, M16, M17, M18, M19, M20, M21, M22, M23, M26)	M6 -	CL18-1AC	
51	B1787810	VENTURI (M1, M2, M3, M4, M5, M6, M7, M8, M9, M10, M11, M12, M13, M14, M15, M16, M17, M18, M19, M20, M21, M22, M23, M26)	M7 -	CL18-1B	
61	B1787000	VALVE CORE (M1, M2, M3, M4, M5, M6, M7, M8, M9, M10, M11, M12, M13, M14, M15, M16, M17, M18, M19, M20, M21, M22, M23, M26)	M8 -	CL18-1DB	
71	B9266404	COMPRESSOR #2K28C3A236A-6U (M10)	M9 -	CL21-1B	
71	B9266300	COMPRESSOR #CRH3-0275-PFV-230 (M4, M18, M21)	M10 -	CL21-1P	
71	B9266302	COMPRESSOR #CRK3-0325-PFV-230 (M23)	M11 -	CL24-1AB	
71	B9266270	COMPRESSOR #H20B153ABCA (M1, M5, M7, M8)	M12 -	CL24-1AC	
71	CR20K6PFV960	COMPRESSOR #H20B203ABCA (M9)	M13 -	CL24-1B	
71	CR18K6PFV960	COMPRESSOR #H20B223ABCA (M13)	M14 -	CL30-1AB	
71	CR22K6PFV970	COMPRESSOR #H20B243ABCA (M2)	M15 -	CL30-1AC	
71	B9266264	COMPRESSOR #H21A343ABCA (M16)	M16 -	CL31-1C	
71	B9266265	COMPRESSOR #H21A413ABCA (M22)	M17 -	CL35-1B	
71	B9266266	COMPRESSOR #H21A463ABCA (M26)	M18 -	CL35-1C	
71	CR22K6PFV960	COMPRESSOR #H21B223ABCA (M11)	M19 -	CL35-3B	
71	B9266220	COMPRESSOR #H21B293ABCA (M14)	M20 -	CL36-1B	
71	CR35K6PFV960	COMPRESSOR #H23A353ABCA (M17)	M21 -	CL36-1C	
71	B9266200	COMPRESSOR #H23A353DBLA (M19)	M22 -	CL42-1B	
71	B9266317	COMPRESSOR #RES3-0175-PFV-216 (M6)	M23 -	CL42-1C	
71	B9266316	COMPRESSOR #SRB6-0200-PFV-231 (M12)	M24 -	CL48-1AB	
71	B9266312	COMPRESSOR #SRD6-0225-PFV-232 (M3, M15, M16)	M25 -	CL48-1AC	
81	B1339530	COMPRESSOR GROMMET (M1, M2, M3, M4, M5, M6, M7, M8, M10, M11, M12, M13, M14, M15, M16, M17, M18, M19, M20, M21, M22, M23, M26)	M26 -	CL48-1B	
81	B1339536	COMPRESSOR GROMMET (M9)	M27 -	CL48-1C	
91	12646192	TUBING ASSY, COND COIL (M5, M7)	M28 -	CL48-3B	
91	12646193	TUBING ASSY, COND COIL (M8, M9, M10, M13, M14, M15)	M29 -	CL60-1AB	
91	12646195	TUBING ASSY, COND COIL (M16, M20, M21)	M30 -	CL60-1AC	
91	12646196	TUBING ASSY, COND COIL (M22, M23)	M31 -	CL60-1B	
91	12646197	TUBING ASSY, COND COIL (M26)	M32 -	CL60-1C	
91	12646242	TUBING ASSY, COND COIL (M1, M2, M6)	M33 -	CL60-3B	
91	12646243	TUBING ASSY, COND COIL (M3, M11, M12)	M34 -	CL60-3C	
91	12646244	TUBING ASSY, COND COIL (M4, M17, M19)	M35 -	CL60-4B	

# Replacement Parts List



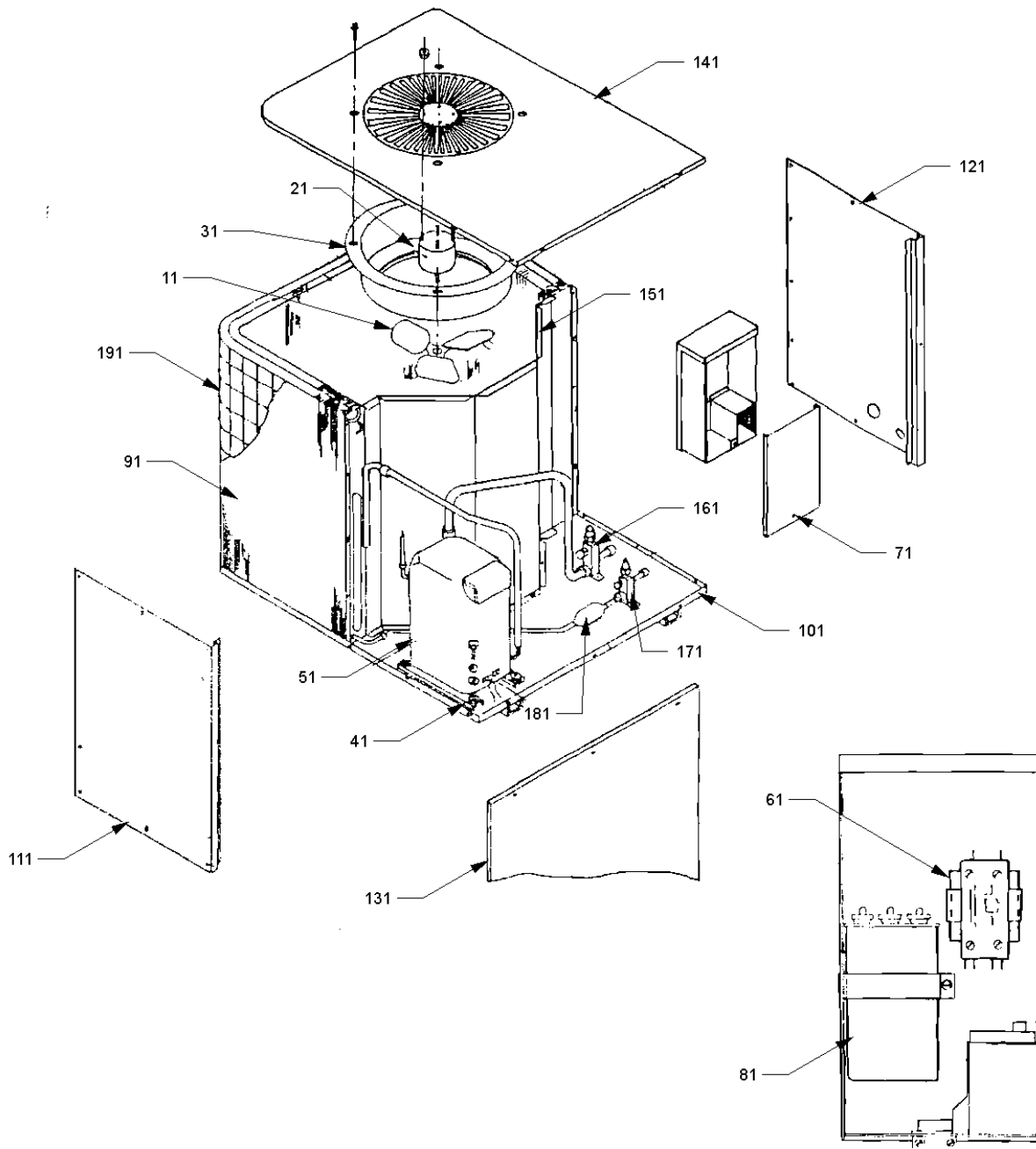


# Replacement Parts List

Ref. Part No:	No:	Description:	Ref. Part No:	No:	Description:
<i>Image 1:</i>			NS	260S8290	SPRAY PAINT (ALL UNITS) BAHAMA BEIGE (M1, M2, M3, M4, M5, M6, M7, M8, M9, M10, M11, M12, M13, M14, M15, M16, M17, M18, M19, M20, M21, M22, M23, M26)
101	1779403P	TOP PANEL-LOUVERED (M1, M2, M3, M4, M5, M6, M7, M8, M9, M10, M11, M12, M13, M14, M15, M16, M17, M18, M19, M20, M21, M22, M23, M26)	NS	260S8280	SPRAY PAINT (ALL UNITS) GRAY (M1, M2, M3, M4, M5, M6, M7, M8, M9, M10, M11, M12, M13, M14, M15, M16, M17, M18, M19, M20, M21, M22, M23, M26)
111	1787203	BOTTOM PAN ASSY (M1, M2, M3, M4, M5, M6, M7, M8, M9, M10, M11, M12, M13, M14, M15, M16, M17, M18, M19, M20, M21, M22, M23, M26)	<b>Expanded Model Nomenclature</b>		
121	1787300P	PANEL, LEFT CORNER (M1, M2, M5, M6, M7)	M1 - CA17-1B		
121	1787301P	PANEL, LEFT CORNER (M3, M8, M9, M10, M11, M12, M13, M14, M15)	M2 - CA24-1B		
121	1787302P	PANEL, LEFT CORNER (M4, M16, M17, M18, M19, M20, M21)	M3 - CA30-1C		
121	1787303P	PANEL, LEFT CORNER (M22, M23, M26)	M4 - CA36-1C		
131	1787420P	PANEL, RIGHT CORNER (M1, M2, M5, M6, M7)	M5 - CL18-1AB		
131	1787421P	PANEL, RIGHT CORNER (M3, M8, M9, M10, M11, M12, M13, M14, M15)	M6 - CL18-1AC		
131	1787423P	PANEL, RIGHT CORNER (M4, M16, M17, M18, M19, M20, M21)	M7 - CL18-1B		
131	1787424	PANEL, RIGHT CORNER (M22, M23, M26)	M8 - CL18-1DB		
141	1787500	PARTITION PANEL (M1, M2, M5, M6, M7)	M9 - CL21-1B		
141	1787501	PARTITION PANEL (M3, M8, M9, M10, M11, M12, M13, M14, M15)	M10 - CL21-1P		
141	1787502	PARTITION PANEL (M4, M16, M17, M18, M19, M20, M21)	M11 - CL24-1AB		
141	1787503	PARTITION PANEL (M22, M23, M26)	M12 - CL24-1AC		
151	1787700P	ACCESS PANEL (M1, M2, M5, M6, M7)	M13 - CL24-1B		
151	1787701P	ACCESS PANEL (M3, M8, M9, M10, M11, M12, M13, M14, M15)	M14 - CL30-1AB		
151	1787702P	ACCESS PANEL (M4, M16, M17, M18, M19, M20, M21)	M15 - CL30-1AC		
151	1787703P	ACCESS PANEL (M22, M23, M26)	M16 - CL31-1C		
161	B1360303	CONTACTOR 20 AMP, 3P, 277V (M19)	M17 - CL35-1B		
161	B1360321	CONTACTOR 23 AMP, 1P, 240V (M1, M2, M3, M4, M5, M6, M7, M8, M9, M10, M11, M12, M13, M14, M15, M16, M17, M18, M20, M21)	M18 - CL35-1C		
161	CONT2P025024VS	CONTACTOR 24 AMP, 1P, 240V (M22, M23)	M19 - CL35-3B		
161	CONT2P030024VS	CONTACTOR 30 AMP, 1P, 240V (M26)	M20 - CL36-1B		
171	CAP050200370RSS	CAPACITOR 5/20/370V (M1, M5, M7, M8)	M21 - CL36-1C		
171	CAP050250370RSS	CAPACITOR 5/25/370V (M6, M9, M13)	M22 - CL42-1B		
171	CAP050300370RSS	CAPACITOR 5/30/370V (M11, M12)	M23 - CL42-1C		
171	CAP050350370RSS	CAPACITOR 5/35/370V (M2, M3, M15, M16)	M24 - CL48-1AB		
171	CAP050350440RSS	CAPACITOR 5/35/440V (M17, M20)	M25 - CL48-1AC		
171	CAP050000370VAS	CAPACITOR 5/370V (M19)	M26 - CL48-1B		
171	CAP050400370RSS	CAPACITOR 5/40/370V (M4, M10, M14, M18, M21)	M27 - CL48-1C		
171	CAP050400440RTS	CAPACITOR 5/40/440V (M22, M23, M26)	M28 - CL48-3B		
191	B1249328	INLET GRILLE (M6)	M29 - CL60-1AB		
191	B1249329	INLET GRILLE (M3, M11, M12, M14, M15)	M30 - CL60-1AC		
191	B1249334	INLET GRILLE (M4, M16, M17, M18, M19, M20, M21)	M31 - CL60-1B		
191	B1259330	INLET GRILLE (M23, M26)	M32 - CL60-1C		
201	B1243731	CRANKCASE HEATER #H21A (M26)	M33 - CL60-3B		
			M34 - CL60-3C		
			M35 - CL60-4B		

Right Corner Panel effective May 1987 (8705 Serial Code & Later)

# Replacement Parts List



# Replacement Parts List

Ref. Part No:	No:	Description:	Ref. Part No:	No:	Description:
<i>Image 1:</i>			161	B12582543	7/8" SERVICE VALVE (M24, M25, M27, M28, M29, M30, M31, M32, M33, M34, M35)
11	B1086750S	FAN BLADE 22", 3 BLADE, 24° (M24, M25, M27, M28, M29, M30, M31, M32, M33, M34, M35)	171	20163801	3/8" SERVICE VALVE (M24, M25, M27, M28, M29, M30, M31, M32, M33, M34, M35)
21	0131M00007PS	COND MOTOR 208/230-60-1 (M35)	181	B1219216	FILTER DRIER
21	B13400269	COND MOTOR 460-60-1 (M24, M25, M27, M28, M29, M30, M31, M32, M33, M34, M35)	191	B1249333	INLET GRILLE (M24, M25, M27, M28, M31, M32)
31	B1787811	VENTURI (M24, M25, M27, M28, M29, M30, M31, M32, M33, M34, M35)	191	B1259332	INLET GRILLE (M29, M30, M33, M34, M35)
41	B1339530	COMPRESSOR GROMMET (M24, M28, M29, M35)	201	B1243731	CRANKCASE HEATER (M24, M31, M35)
41	B1339531	COMPRESSOR GROMMET (M31, M33)	201	B1243732	CRANKCASE HEATER (M25, M27, M30, M32, M34)
41	B1339533	COMPRESSOR GROMMET (M25, M27, M30, M32)	201	B1243733	CRANKCASE HEATER (M28, M29, M33)
51	B9266304	COMPRESSOR #CRL3-0350-PFV-270 (M25, M27)	<b>Expanded Model Nomenclature</b>		
51	B9266305	COMPRESSOR #CRP1-0450-PFV-270 (M30, M32)	<div style="border: 1px solid black; padding: 5px;"> M1 - CA17-1B  M2 - CA24-1B  M3 - CA30-1C  M4 - CA36-1C  M5 - CL18-1AB  M6 - CL18-1AC  M7 - CL18-1B  M8 - CL18-1DB  M9 - CL21-1B  M10 - CL21-1P  M11 - CL24-1AB  M12 - CL24-1AC  M13 - CL24-1B  M14 - CL30-1AB  M15 - CL30-1AC  M16 - CL31-1C  M17 - CL35-1B  M18 - CL35-1C  M19 - CL35-3B  M20 - CL36-1B  M21 - CL36-1C  M22 - CL42-1B  M23 - CL42-1C  M24 - CL48-1AB  M25 - CL48-1AC  M26 - CL48-1B  M27 - CL48-1C  M28 - CL48-3B  M29 - CL60-1AB  M30 - CL60-1AC  M31 - CL60-1B  M32 - CL60-1C  M33 - CL60-3B  M34 - CL60-3C  M35 - CL60-4B </div>		
51	B9266313	COMPRESSOR #CRP1-0450-TF5-270 (M34)			
51	B9266266	COMPRESSOR #H21A463ABCA (M24)			
51	B9266267	COMPRESSOR #H21C533ABCA (M31)			
51	B9266296	COMPRESSOR #H23A463DBLA (M28)			
51	B9266294AS	COMPRESSOR #H23A563ABCA (M29)			
51	B9266211AS	COMPRESSOR #H23A563DBEA (M35)			
51	B9266295A	COMPRESSOR #H23A563DBLA (M33)			
61	CONT3P025024VS	CONTACTOR 25 AMP, 3P, 240V (M28, M33, M34, M35)			
61	CONT2P030024VS	CONTACTOR 30 AMP, 1P, 240V (M24, M25, M27)			
61	CONT2P040024VS	CONTACTOR 40 AMP, 2P, 240V (M29, M30, M31, M32)			
71	1410900	CONTROL BOX COVER (M24, M25, M27, M28, M29, M30, M31, M32, M33, M34, M35)			
81	CAP050000370VAS	CAPACITOR 5/370V (M28, M33, M34, M35)			
81	CAP050400440RTS	CAPACITOR 5/40/440V (M24, M25, M27)			
81	CAP050450440RTS	CAPACITOR 5/45/440V (M30, M31, M32)			
81	CAP050550440RTS	CAPACITOR 5/55/440V (M29)			
91	12645235	TUBING ASSY, COND COIL (M24, M25, M27, M28, M31, M32)			
91	12646236	TUBING ASSY, COND COIL (M29, M30, M33, M34, M35)			
101	1779101P	BOTTOM PAN ASSY (M24, M25, M27, M28, M29, M30, M31, M32, M33, M34, M35)			
111	1779202P	PANEL, LEFT CORNER (M24, M25, M27, M28, M31, M32)			
111	1779213P	PANEL, LEFT CORNER (M29, M30, M33, M34, M35)			
121	1779203P	PANEL, RIGHT CORNER (M24, M25, M27, M28, M31, M32)			
121	1779206P	PANEL, RIGHT CORNER (M29, M30, M33, M34, M35)			
131	1779303P	ACCESS PANEL (M24, M25, M27, M28, M31, M32)			
131	1779304P	ACCESS PANEL (M29, M30, M33, M34, M35)			
141	1779404S	TOP PANEL-LOUVERED (M24, M25, M27, M28, M29, M30, M31, M32, M33, M34, M35)			
151	1779501	PARTITION PANEL (M24, M25, M27, M28, M31, M32)			
151	1779502	PARTITION PANEL (M29, M30, M33, M34, M35)			
			Right Corner Panel effective May 1987 (8705 Serial Code & Later)		