



# REPAIR PARTS

---

## CH SERIES Condensing Units

CH18-1P  
CH24-1B  
CH30-1B  
CH30-1GB  
CH36-1C  
CH36-1GB  
CH42-1C  
CH42-1GC  
CH48-1C  
CH48-1G  
CH60-1C  
CH60-1FB

This manual is to be used by qualified technicians only. The manual replaces all previous versions of RP-146.

© 1990-2008 Goodman Manufacturing Company, L.P. ♦ 5151 San Felipe, Suite 500 ♦ Houston, TX 77056

# Important Information

---

## Index

Functional Parts List .....	3
Illustration and Parts .....	4 - 7

*Views shown are for parts illustrations only, not servicing procedures.*

Rev. D: Combined manuals into one.

### Text Codes:

AR - As Required

NA - Not Available

NS - Not Shown

00000000 - See Note

QTY - Quantity Example (QTY 3) (If Quantity not shown, Quantity = 1)

M - Model Example (M1) (If M Code not shown, then part is used on all Models)

### Expanded Model Nomenclature:

Example M1 - Model#1 M2 - Model#2 M3 - Model#3
---

Goodman Manufacturing Company, L.P. is not responsible for personal injury or property damage resulting from improper service. Review all service information before beginning repairs.

Warranty service must be performed by an authorized technician, using authorized factory parts. If service is required after the warranty expires, Goodman Manufacturing Company, L.P. also recommends contacting an authorized technician and using authorized factory parts.

Goodman Manufacturing Company, L.P. reserves the right to discontinue, or change at any time, specifications or designs without notice or without incurring obligations.

For assistance within the U.S.A. contact:  
Consumer Affairs Department  
Goodman Manufacturing Company, L.P.  
7401 Security Way  
Houston, Texas 77040  
877-254-4729-Telephone  
713-863-2382-Facsimile

For assistance outside the U.S.A. contact:  
International Division  
Goodman Manufacturing Company, L.P.  
7401 Security Way  
Houston, Texas 77040  
713-861-2500-Telephone  
713-863-2382-Facsimile

# Functional Parts

**Part**

**No: Description:**

Expanded Model Nomenclature

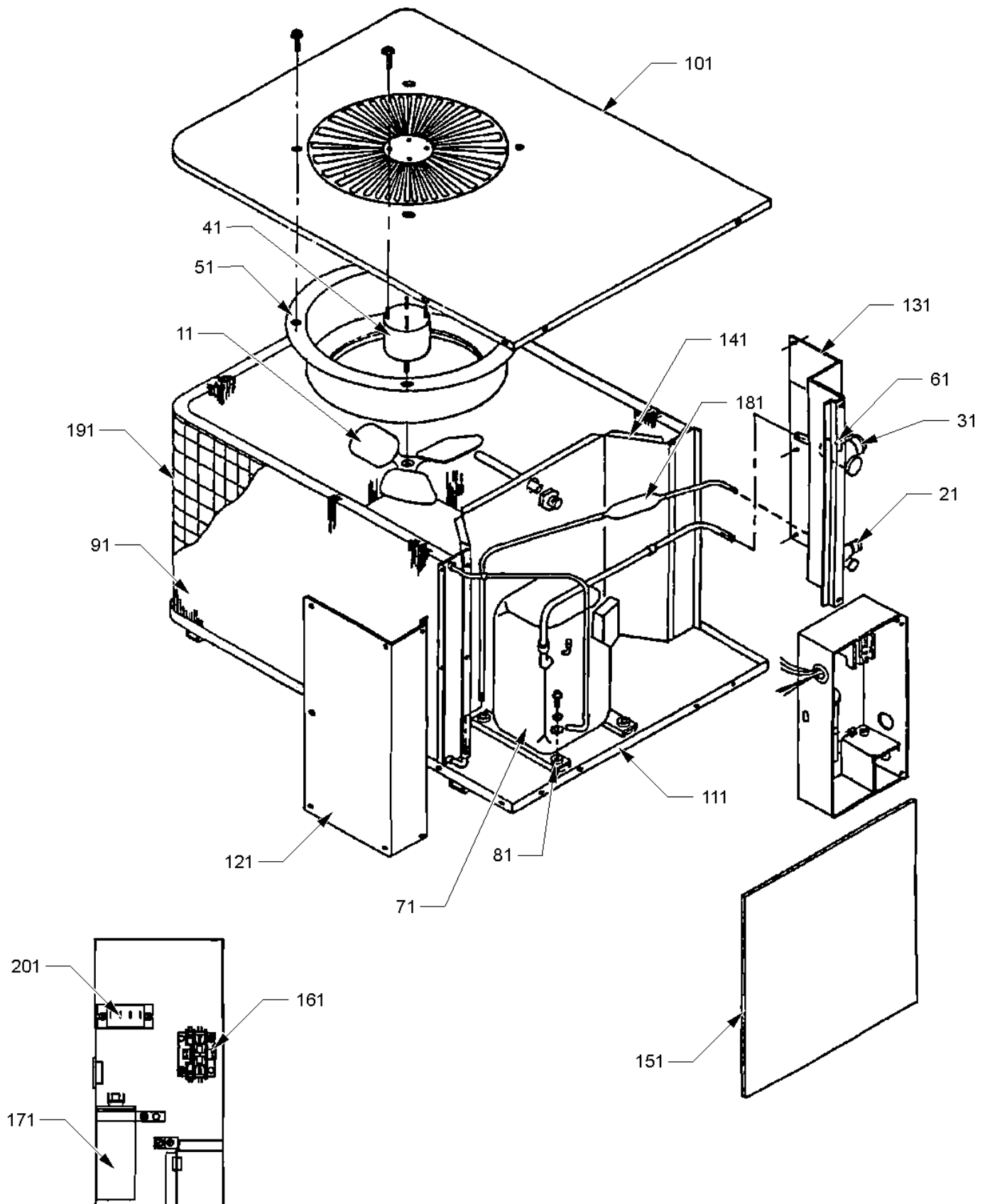
CAP050300370RSS	CAPACITOR 5/30/370V (M2)
CAP050350370RSS	CAPACITOR 5/35/370V (M1, M3, M4)
CAP050350440RSS	CAPACITOR 5/35/440V (M5, M7)
CAP050400440RTS	CAPACITOR 5/40/440V (M8, M9, M10)
CAP050450370RSS	CAPACITOR 5/45/370V (M6)
CAP050550440RTS	CAPACITOR 5/55/440V (M11)
CAP050600370RTS	CAPACITOR 5/60/370V
CR42K6PFV960	COMPRESSOR #CR42K6PFV230 (M9, M10)
B9266678A*	COMPRESSOR #H25A503CBCA
B9266694*	COMPRESSOR #H25A503CBCA (M12)
CR18K6PFV960	COMPRESSOR #H26B18QCBCA (706311-1501-00) (M1)
B9266833AS	COMPRESSOR #H27B24QCBCA (707094-1501-00) (M2)
B9266335	COMPRESSOR #ZR61K2PFV230 (M11)
ZR34K3PFV930	COMPRESSOR 34400, 208/230/60/1 (M5)
ZR40K3PFV930	COMPRESSOR 40600, 208/230/60/1 (M7)
CR38K6PFV960	COMPRESSOR H25A38QCBCA (706349-1501-00) (M8)
CR35K6PFV960	COMPRESSOR H27A32QCBCA (706920-1501-00) (M6)
CR30K6PFV960	COMPRESSOR H27B28QCBCA (707110-1501-00) (M3, M4)
0131M00008PS	COND MOTOR 1/3 HP, 1 SP (M11)
0131M00007PS	COND MOTOR 1/4 HP, 1 SP, 8 PL (M7, M9, M10)
B13400251S	COND MOTOR 1/6 HP, 1 SP (M1, M2, M3, M4, M5, M6, M8)
CONT2P025024VS	CONTACTOR 25 AMP, 2P, 24V (M1, M2, M3, M4, M5, M6, M7, M8)
CONT2P030024VS	CONTACTOR 30 AMP, 2P, 24V (M9, M10, M12)
CONT2P040024VS	CONTACTOR 40 AMP, 2P, 24V (M11)
B1141658	START ASSIST #305C9L01, 10 OHMS (M12)
B1370760	TIME DELAY 30 SEC, 24V (M5, M7, M11)

M1 - CH18-1P
M2 - CH24-1B
M3 - CH30-1B
M4 - CH30-1GB
M5 - CH36-1C
M6 - CH36-1GB
M7 - CH42-1C
M8 - CH42-1GC
M9 - CH48-1C
M10 - CH48-1G
M11 - CH60-1C
M12 - CH60-1FB

**SPECIAL PARTS**

RP-146D	REPAIR PARTS MANUAL
---------	---------------------

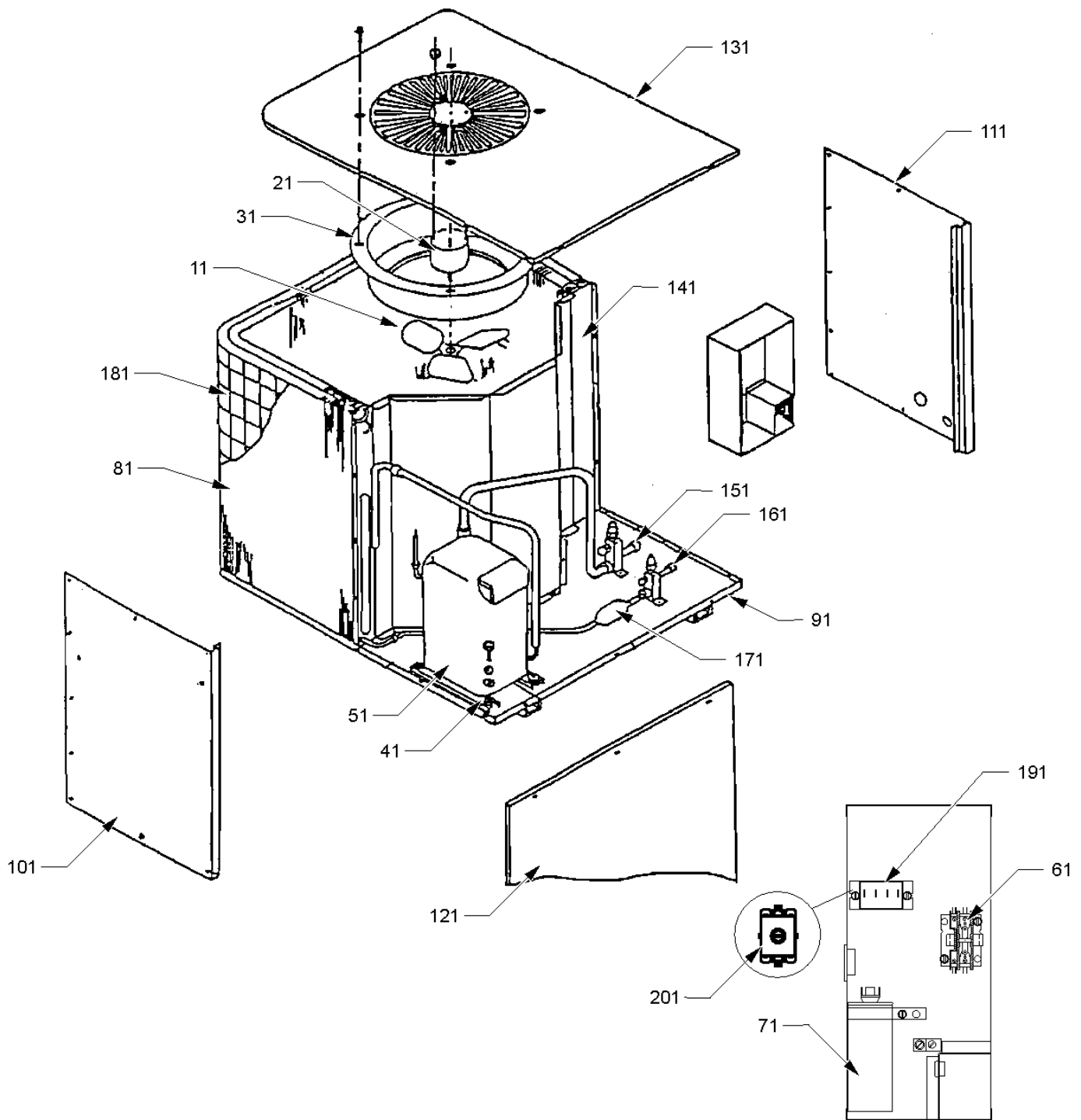
# Replacement Parts List



# Replacement Parts List

Ref. Part No:	No:	Description:	Ref. Part No:	No:	Description:												
<i>Image 1:</i>			<i>Image 1:</i>														
11	B1086756S	FAN BLADE 18", 32° (M1, M2, M3, M4, M5, M6, M8)	171	CAP050350370RSS	CAPACITOR 5/35/370V (M1, M3, M4)												
21	20163801	3/8" SERVICE VALVE (M1, M2, M4, M6, M8)	171	CAP050350440RSS	CAPACITOR 5/35/440V (M5)												
21	20163801S	3/8" SERVICE VALVE (M3, M5)	171	CAP050400440RTS	CAPACITOR 5/40/440V (M8)												
31	B1282566	3/4" SERVICE VALVE (M3, M5)	171	CAP050450370RSS	CAPACITOR 5/45/370V (M6)												
31	B1282566	3/4" SERVICE VALVE (M2, M4, M6, M8)	181	B1219220	FILTER DRIER (M1, M2, M3, M4, M5, M6, M8)												
31	B1282573	5/8" SERVICE VALVE (M1)	191	B1259317	INLET GRILLE 17.5" (M1)												
41	B13400251S	COND MOTOR 1/6 HP, 1 SP (M1, M2, M3, M4, M5, M6, M8)	191	B1259325	INLET GRILLE 25" (M2, M4, M6)												
51	187810	VENTURI RING (M3, M5)	191	1259330P	INLET GRILLE 30" (M3, M5)												
51	B1787810	VENTURI RING (M1, M2, M4, M6, M8)	191	B1259330	INLET GRILLE 30" (M8)												
61	B1787000	VALVE CORE (QTY 2) (M1, M2, M3, M4, M5, M6, M8)	201	B1370760	TIME DELAY 30 SEC, 24V (M5)												
71	CR18K6PFV960	COMPRESSOR #H26B18QCBCA (706311-1501-00) (M1)	Expanded Model Nomenclature														
71	B9266833AS	COMPRESSOR #H27B24QCBCA (707094-1501-00) (M2)	<table border="1"> <tr><td>M1 - CH18-1P</td></tr> <tr><td>M2 - CH24-1B</td></tr> <tr><td>M3 - CH30-1B</td></tr> <tr><td>M4 - CH30-1GB</td></tr> <tr><td>M5 - CH36-1C</td></tr> <tr><td>M6 - CH36-1GB</td></tr> <tr><td>M7 - CH42-1C</td></tr> <tr><td>M8 - CH42-1GC</td></tr> <tr><td>M9 - CH48-1C</td></tr> <tr><td>M10 - CH48-1G</td></tr> <tr><td>M11 - CH60-1C</td></tr> <tr><td>M12 - CH60-1FB</td></tr> </table>			M1 - CH18-1P	M2 - CH24-1B	M3 - CH30-1B	M4 - CH30-1GB	M5 - CH36-1C	M6 - CH36-1GB	M7 - CH42-1C	M8 - CH42-1GC	M9 - CH48-1C	M10 - CH48-1G	M11 - CH60-1C	M12 - CH60-1FB
M1 - CH18-1P																	
M2 - CH24-1B																	
M3 - CH30-1B																	
M4 - CH30-1GB																	
M5 - CH36-1C																	
M6 - CH36-1GB																	
M7 - CH42-1C																	
M8 - CH42-1GC																	
M9 - CH48-1C																	
M10 - CH48-1G																	
M11 - CH60-1C																	
M12 - CH60-1FB																	
71	ZR34K3PFV930	COMPRESSOR 34400, 208/230/60/1 (M5)															
71	CR38K6PFV960	COMPRESSOR H25A38QCBCA (706349-1501-00) (M8)															
71	CR35K6PFV960	COMPRESSOR H27A32QCBCA (706920-1501-00) (M6)															
71	CR30K6PFV960	COMPRESSOR H27B28QCBCA (707110-1501-00) (M3, M4)															
81	B1339530	COMPRESSOR GROMMET (QTY 4) (M2, M3, M4, M6, M8)															
81	B1339533	COMPRESSOR GROMMET (QTY 4) (M5)															
81	B1339538	COMPRESSOR GROMMET (QTY 4) (M1)															
91	1264803	TUBING ASSY, COND COIL (M1)															
91	1264806	TUBING ASSY, COND COIL (M2, M4, M6)															
91	1264807	TUBING ASSY, COND COIL (M3, M5)															
91	1264865	TUBING ASSY, COND COIL (M8)															
101	1779403P	TOP PANEL (M1, M2, M3, M4, M5, M6, M8)	*Compressor change, effective Dec. 1993. Compressor was B9266661.														
111	1787208P	BOTTOM PAN (M1, M2, M3, M4, M5, M6, M8)															
121	1787301P	LEFT CORNER PANEL 17.5" (M1)															
121	1787302P	LEFT CORNER PANEL 25" (M2, M4, M6)															
121	1787303P	LEFT CORNER PANEL 30" (M3, M5, M8)															
131	1787421P	RIGHT CORNER PANEL 17.5" (M1)															
131	1787423P	RIGHT CORNER PANEL 25" (M2, M4, M6)															
131	1787424P	RIGHT CORNER PANEL 30" (M3, M5, M8)															
141	1787501	PARTITION PANEL 17.5" (M1)															
141	1787502	PARTITION PANEL 25" (M2, M4, M6)															
141	1787503	PARTITION PANEL 30" (M3, M5, M8)															
151	1787701P	ACCESS PANEL 17.5" (M1)															
151	1787702P	ACCESS PANEL 25" (M2, M4, M6)															
151	1787703P	ACCESS PANEL 30" (M3, M5, M8)															
161	CONT2P025024VS	CONTACTOR 24 AMP, 1P, 24V (M1, M2, M3, M4, M5, M6, M8)															
171	CAP050300370RSS	CAPACITOR 5/30/370V (M2)															

# Replacement Parts List



# Replacement Parts List

Ref. Part No:	No:	Description:	Ref. Part No:	No:	Description:
<i>Image 1:</i>			<i>Image 1:</i>		
11	B1086750S	FAN BLADE 22", 24° (M7, M9, M10)	181	1259332P	INLET GRILLE 32.5" (M9, M11)
11	B1086748	FAN BLADE 22", 30° (M11, M12)	181	B1259440	INLET GRILLE 40" (M12)
21	0131M00008PS	COND MOTOR 1/3 HP, 1 SP (M11)	191	B1370760	TIME DELAY 30 SEC, 24V (M7, M11)
21	0131M00007PS	COND MOTOR 1/4 HP, 1 SP, 8 PL (M7, M9, M10)	201	B1141658	START ASSIST #305C9L01, 10 OHMS (M12)
31	1787811	VENTURI RING (M7, M9, M10, M11, M12)	<b>Expanded Model Nomenclature</b>		
41	B1339530	COMPRESSOR GROMMET (QTY 4) (M9, M10, M12)	<div style="border: 1px solid black; padding: 5px;"> M1 - CH18-1P  M2 - CH24-1B  M3 - CH30-1B  M4 - CH30-1GB  M5 - CH36-1C  M6 - CH36-1GB  M7 - CH42-1C  M8 - CH42-1GC  M9 - CH48-1C  M10 - CH48-1G  M11 - CH60-1C  M12 - CH60-1FB </div>		
41	B1339533	COMPRESSOR GROMMET (QTY 4) (M7, M11)			
51	CR42K6PFV960	COMPRESSOR #CR42K6PFV230 (M9, M10)			
51	B9266678A*	COMPRESSOR #H25A503CBCA			
51	B9266694*	COMPRESSOR #H25A503CBCA (M12)			
51	B9266335	COMPRESSOR #ZR61K2PFV230 (M11)			
51	ZR40K3PFV930	COMPRESSOR 40600, 208/230/60/1 (M7)			
61	CONT2P025024VS	CONTACTOR 25 AMP, 2P, 24V (M7)			
61	CONT2P030024VS	CONTACTOR 30 AMP, 2P, 24V (M9, M10, M12)			
61	CONT2P040024VS	CONTACTOR 40 AMP, 2P, 24V (M11)			
71	CAP050350440RSS	CAPACITOR 5/35/440V (M7)			
71	CAP050400440RTS	CAPACITOR 5/40/440V (M9, M10)			
71	CAP050550440RTS	CAPACITOR 5/55/440V (M11)			
71	CAP050600370RTS	CAPACITOR 5/60/370V			
81	1262511	TUBING ASSY, COND COIL (M9, M11)	*Compressor change, effective Dec. 1993. Compressor was B9266661.		
81	1264808	TUBING ASSY, COND COIL (M7)			
81	1264910	TUBING ASSY, COND COIL (M12)			
81	1264913	TUBING ASSY, COND COIL (M10)			
91	1779107P	BOTTOM PAN (M7, M9, M10, M11, M12)			
101	1779202P	LEFT CORNER PANEL 24.5" (M7)			
101	1779213P	LEFT CORNER PANEL 32.5" (M9, M11)			
101	1779227P	SIDE PANEL 27.5" (QTY 2) (M10)			
101	1779240P	SIDE PANEL 40" (QTY 2) (M12)			
111	1779210P	RIGHT CORNER PANEL 27.5" (M7)			
111	1779211P	RIGHT CORNER PANEL 32.5" (M9, M11)			
121	1779303P	ACCESS PANEL 27.5" (M7, M10)			
121	1779304P	ACCESS PANEL 32.5" (M9, M11)			
121	1779305P	ACCESS PANEL 40" (M12)			
131	1779404P	TOP PANEL (M7, M9, M10, M11, M12)			
141	1779505	PARTITION PANEL 27.5" (M7)			
141	1779527	PARTITION PANEL 27.5" (M10)			
141	1779506	PARTITION PANEL 32.5" (M9, M11)			
141	1779540	PARTITION PANEL 40" (M12)			
151	B1282566	3/4" SERVICE VALVE (M7)			
151	B1282543	7/8" SERVICE VALVE (M9, M10, M11, M12)			
161	20163801	3/8" SERVICE VALVE (M7, M9, M10, M11, M12)			
171	B1219220	FILTER DRIER (M7, M9, M10, M11, M12)			
181	1259327P	INLET GRILLE 27.5" (M7)			
181	B1259427	INLET GRILLE 27.5" (M10)			