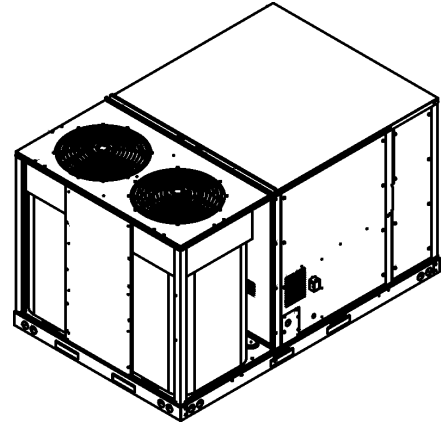


## DBG 7.5 Ton Package Gas Unit

DBG0903VH00001SAA  
DBG0904VH00001SAA  
DBG0907VH00001SAA



This manual is to be used by qualified technicians only.

# Important Information

---

## Index

Functional Parts List .....	3
Illustration and Parts .....	4 - 17

*Views shown are for parts illustrations only, not servicing procedures*

### Text Codes:

AR - As Required

NA - Not Available

NS - Not Shown

00000000 - See Note

QTY - Quantity Example (QTY 3) (If Quantity not shown, Quantity = 1)

M - Model Example (M1) (If M Code not shown, then part is used on all Models)

### Expanded Model Nomenclature:

Example M1 - Model#1 M2 - Model#2 M3 - Model#3
---

Daikin Company, L.P. is not responsible for personal injury or property damage resulting from improper service. Review all service information before beginning repairs.

Warranty service must be performed by an authorized technician, using authorized factory parts. If service is required after the warranty expires, Daikin Company, L.P. also recommends contacting an authorized technician and using authorized factory parts.

Daikin Company, L.P. reserves the right to discontinue, or change at any time, specifications or designs without notice or without incurring obligations.

For assistance within the U.S.A. contact:

Equipment Support  
Daikin North America, LLC  
19001 Kermier Road  
Waller, Texas 77484  
855-770-5678-Telephone  
713-863-2382-Facsimile

For assistance outside the U.S.A. contact:

International Division  
Daikin North America, LLC  
19001 Kermier Road  
Waller, Texas 77484  
713-861-2500-Telephone  
713-863-2382-Facsimile

# Functional Parts

## Part

## No: Description:

---

10625733	BLADE-FAN 22" ALUM CCW (QTY 2)
0163L00006	BURNER BECKETT
CAP100000370LA	CAP, 10 MFD/370V/OVAL (M1, M2)
CAP050000440LA	CAPACITOR (M3)
ZP39K5ETFD130	COMP, 39000, 460/60/3 (M2)
ZP39K5ETF5130	COMP, 39000,200/230/60/3 (M1)
ZP39K5ETFE130	Comp, 39000,575/60/3 (M3)
CONT2P025024V	CONT 2 POLE 25 AMP 24 VAC
CONT3P030024V	CONT, 3 POLE 30 AMP 24VAC (QTY 4)
0130M00178	DPDT RELAY 24VAC (QTY 2)
0130F00010	FLAME SENSOR
0151L00000	GAS VALVE MANIFOLD 36H
0130M00074	HIGH PRESSURE SWITCH
0130L00000	IGNITOR
0130F00035	LIMIT PRIMARY
20162904	LIMIT-BROWN
10123529	LIMIT-RESET MAN-GREEN
0130M00087	LOW PRESSURE SWITCH
0131L00041	MOTOR 2 HP BELT DRIVE 208-230V (M1)
0131L00043	MOTOR 2HP BELT DRIVE 460V (M2)
0131L00042	MOTOR 2HP BELT DRIVE 575V (M3)
0131M00907	MOTOR, HP, 1/3, OD (M2)
0131M00908	MOTOR, HP, 1/3, OD, LAK (M3)
0131M00906	MOTOR, HP, 1/3, SP, 1, PL, 6 (M1)
PCBAG123	PCB IGNITION DSI INTEG
11112501	SWITCH-PRESSURE
B1370772	TIME DEALY ICM 180SEC DELA
0130M00598	TRANSFMR 75VA 575V TO 24V (M3)
0130M00596	TRANSFMR, 150VA, 480V TO 23 (M2)
0130M00597	TRANSFMR, 150VA, 575V TO 230V (M3)
0130M00594	TRANSFORMER (M1)
0130M00595	TRANSFORMER, 75VA, 480V TO 24V (M2)
0131L00120	VENT MOTOR

### SPECIAL PARTS

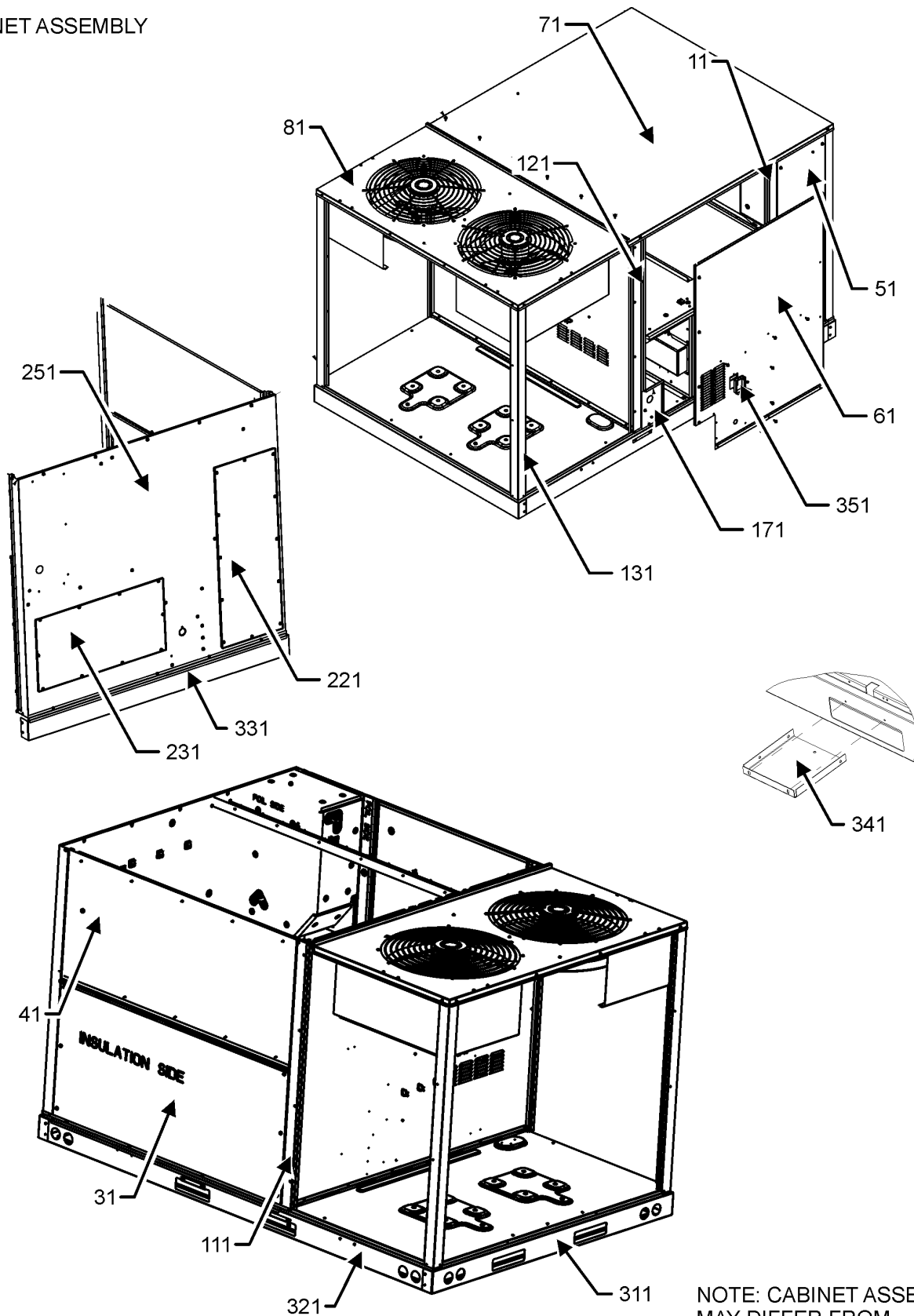
RP-FIOPMC\* ACCESSORY RP MANUAL

### Expanded Model Nomenclature

M1 - DBG0903VH00001SAA
M2 - DBG0904VH00001SAA
M3 - DBG0907VH00001SAA

# CABINET ASSEMBLY

CABINET ASSEMBLY



NOTE: CABINET ASSEMBLY  
MAY DIFFER FROM  
WHAT IS SHOWN

# CABINET ASSEMBLY

Ref. Part No:	No:	Description:	Ref. Part No:	No:	Description:
---------------	-----	--------------	---------------	-----	--------------

---

**Image 1:**

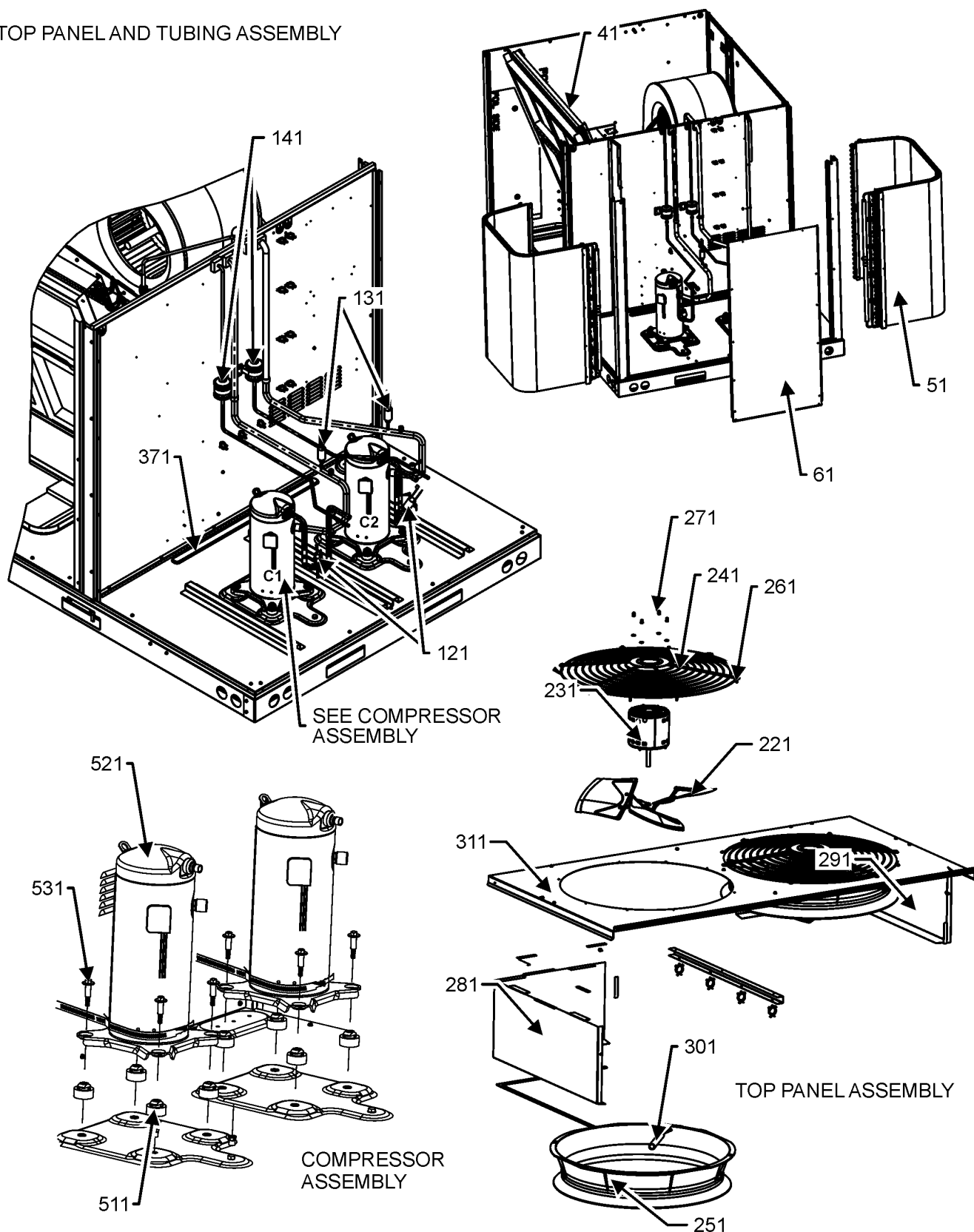
11	0121L04041SB	PAINTED SIDE POST			
31	0121L04022SB	PAINTED ECONOMIZER PANEL			
41	0121L03188SB	PAINTED FILTER PANEL 7.5 TON			
51	0121L02952SB	PAINTED CONTROL PANEL			
61	0121L03822SB	PAINTED BLOWER PANEL			
71	0121L02428SB	PAINTED, INDOOR TOP PANEL			
81	0121L03573SB	PAINTED, OUTDOOR TOP PANEL			
111	0121L03187SB	PAINTED, SIDE POST			
121	0121L03469SB	PAINTED, SIDE POST			
131	0121L03902SB	PAINTED, PANEL, CORNER POST (QTY 2)			
221	0121L03508SB	PAINTED COVER DUCT RETURN			
231	0121L02921SB	PAINTED COVER DUCT SUPPLY			
251	0121L04047SB	PAINTED, PANEL, DUCT			
311	0121L03857	BASE RAIL (QTY 2)			
321	0121L01910	END RAIL			
331	0121L01920	END RAIL			
341	0121L03727	BRACKET-FORK BOARD (QTY 4)			
351	0121L03481SB	PAINTED BRKT FLUE COLLAR			
NS	0141L00084	BOARD FORK (QTY 2)			

**Expanded Model Nomenclature**

M1 - DBG0903VH00001SAA
M2 - DBG0904VH00001SAA
M3 - DBG0907VH00001SAA

# TOP PANEL AND TUBING ASSEMBLY

## TOP PANEL AND TUBING ASSEMBLY



NOTE: TOP PANEL AND TUBING ASSEMBLY MAY DIFFER FROM WHAT IS SHOWN

# TOP PANEL AND TUBING ASSEMBLY

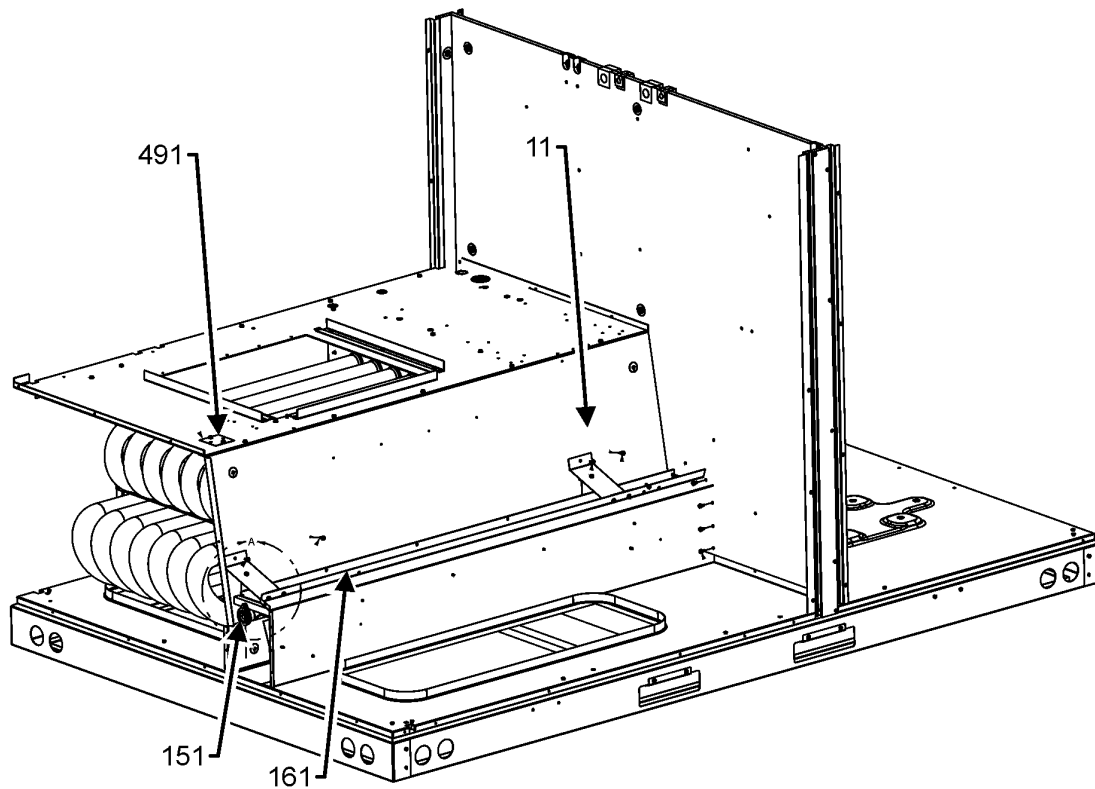
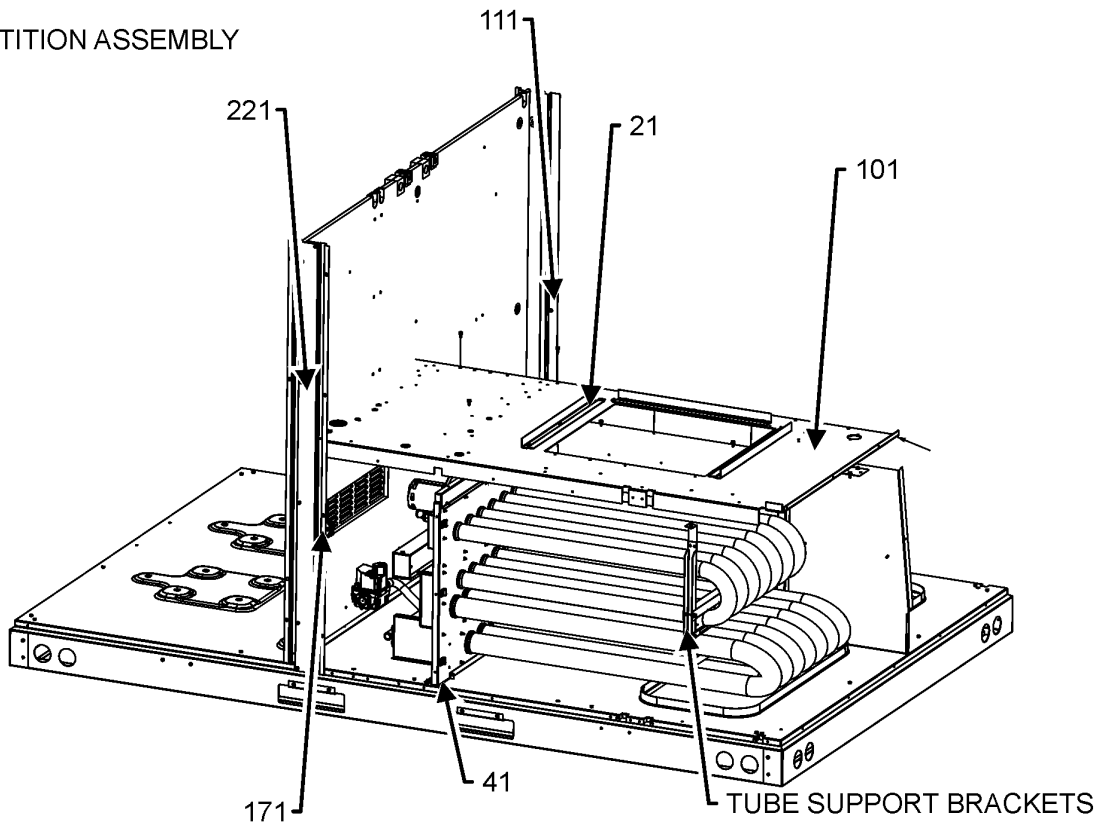
Ref. Part No:	Ref. Part No:	Description:	Description:
<b>Image 1:</b>			
41	0202L00363	ASSY, EVAP COIL	
51	0201L00587	ASSY., CONDENSOR COIL (QTY 2)	
61	0121L03813SB	PAINTED COND COIL COVER	
121	0130M00074	HIGH PRESSURE SWITCH	
131	0130M00087	LOW PRESSURE SWITCH	
141	20485201	FILTER/DRIER-BI-FLOW (QTY 2)	
221	10625733	BLADE-FAN 22" ALUM CCW (QTY 2)	
231	0131M00907	MOTOR, HP, 1/3, OD (M2)	
231	0131M00908	MOTOR, HP, 1/3, OD, LAK (M3)	
231	0131M00906	MOTOR, HP, 1/3, SP, 1, PL, 6 (M1)	
241	0152G00000	FAN GRILLE, RAISED (QTY 2)	
251	0161R00048	MOLDED RING VENTURI 22 (QTY 2)	
261	0163M00004	SCREW #10X3/4 BLK (QTY 16)	
271	0163M00006P	NUT, ACORN 5/16 HEX BLACK (QTY 8)	
281	0121L04011SB	PAINTED COIL BLOCKOFF	
291	0121L04013SB	PAINTED COIL BLOCKOFF	
301	0161G00016	CONDUIT PVC (QTY 2)	
311	0121L03573SB	PAINTED, OUTD OOR TOP PANEL	
371	0121L03171	L CHANNEL	
511	B1339533	GROMMET, COMPRESSOR (QTY 8)	
521	ZP39K5ETFD130	COMP, 39000, 460/60/3 (M2)	
521	ZP39K5ETF5130	COMP, 39000,200/230/60/3 (M1)	
521	ZP39K5ETFE130	Comp, 39000,575/60/3 (M3)	
531	B1393740	COMP BOLT & SLEEVE (QTY 8)	
NS	0160L00137	AIR FILTER 20X25X2 (QTY 4)	
NS	0159L00066	HARNESS, COMPR SCROLL	
NS	0159L00067	HARNESS, COMPR SCROLL	
NS	0121L04012SB	PAINTED, BLOCKOFF (QTY 2)	
NS	M0272803	WASHER LOCK (QTY 4)	
NS	0163M00005P	WASHER, BLACK .50OD.218ID (QTY 8)	

## Expanded Model Nomenclature

M1 - DBG0903VH00001SAA
M2 - DBG0904VH00001SAA
M3 - DBG0907VH00001SAA

# PARTITION ASSEMBLY

PARTITION ASSEMBLY



NOTE: PARTITION ASSEMBLY MAY DIFFER FROM WHAT IS SHOWN



# PARTITION ASSEMBLY

<b>Ref. Part No: No:</b>	<b>Description:</b>	<b>Ref. Part No: No:</b>	<b>Description:</b>
------------------------------	---------------------	------------------------------	---------------------

---

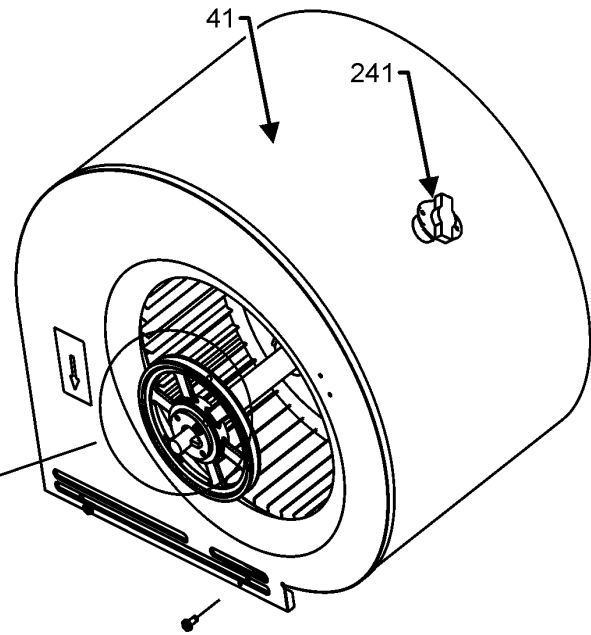
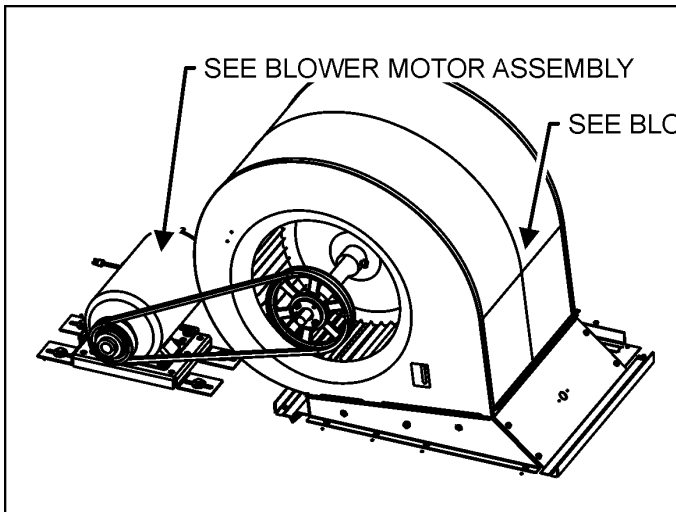
**Image 1:**

11	0121L03748	BLOWER DECK BOTTOM
21	0121I03084	BLOWER SLIDE PLATE (QTY 3)
41	0121L02337	HEAT EXCHANGER RAIL
41	0121L03676	HEAT EXCHANGER RAIL
101	0121L03917	BLOWER DECK
111	0121L03187SB	PAINTED SIDE POST
151	0154L00009	GASKET DRAIN PAN
161	0161L00002	DRAIN PAN EVAP 7TO12
171	11112501	SWITCH-PRESSURE
221	0121L03469SB	PAINTED SIDE POST
491	0121L00321	COVER SMOKE DETECTOR
NS	0121L02903	BRACKET, TUBE SUPPORT
NS	0121L02904	BRACKET, TUBE SUPPORT
NS	0121L04024	BRACKET, TUBE SUPPORT
NS	0121L02929	BRACKET,MOUNT SUPPORT TUBE
NS	0154L00157	GASKET
NS	0161L00012	PLUG DRAIN PAN

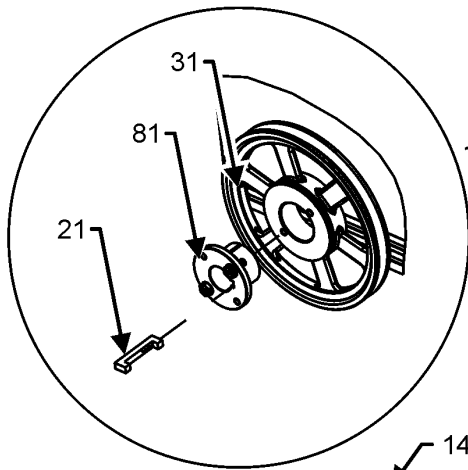
**Expanded Model Nomenclature**

M1 - DBG0903VH00001SAA
M2 - DBG0904VH00001SAA
M3 - DBG0907VH00001SAA

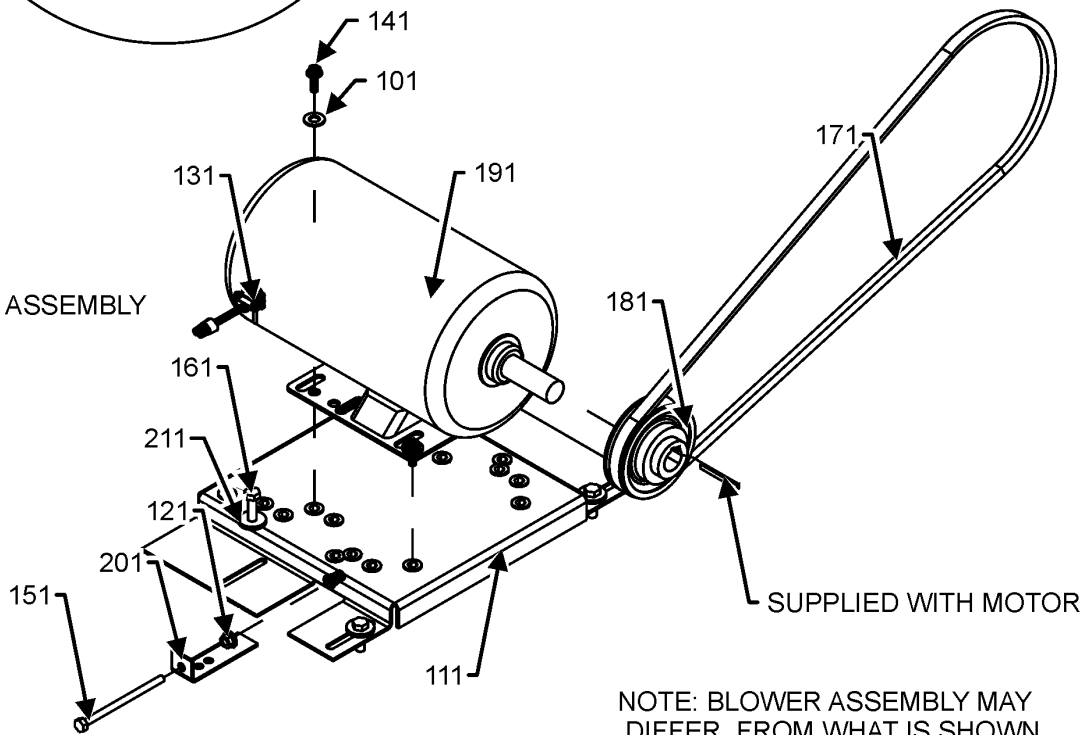
# BLOWER ASSEMBLY



BLOWER HOUSING ASSEMBLY



BLOWER MOTOR ASSEMBLY



NOTE: BLOWER ASSEMBLY MAY DIFFER FROM WHAT IS SHOWN

# BLOWER ASSEMBLY

Ref. Part No:	Part No:	Description:	Ref. Part No:	Part No:	Description:
---------------	----------	--------------	---------------	----------	--------------

**Image 1:**

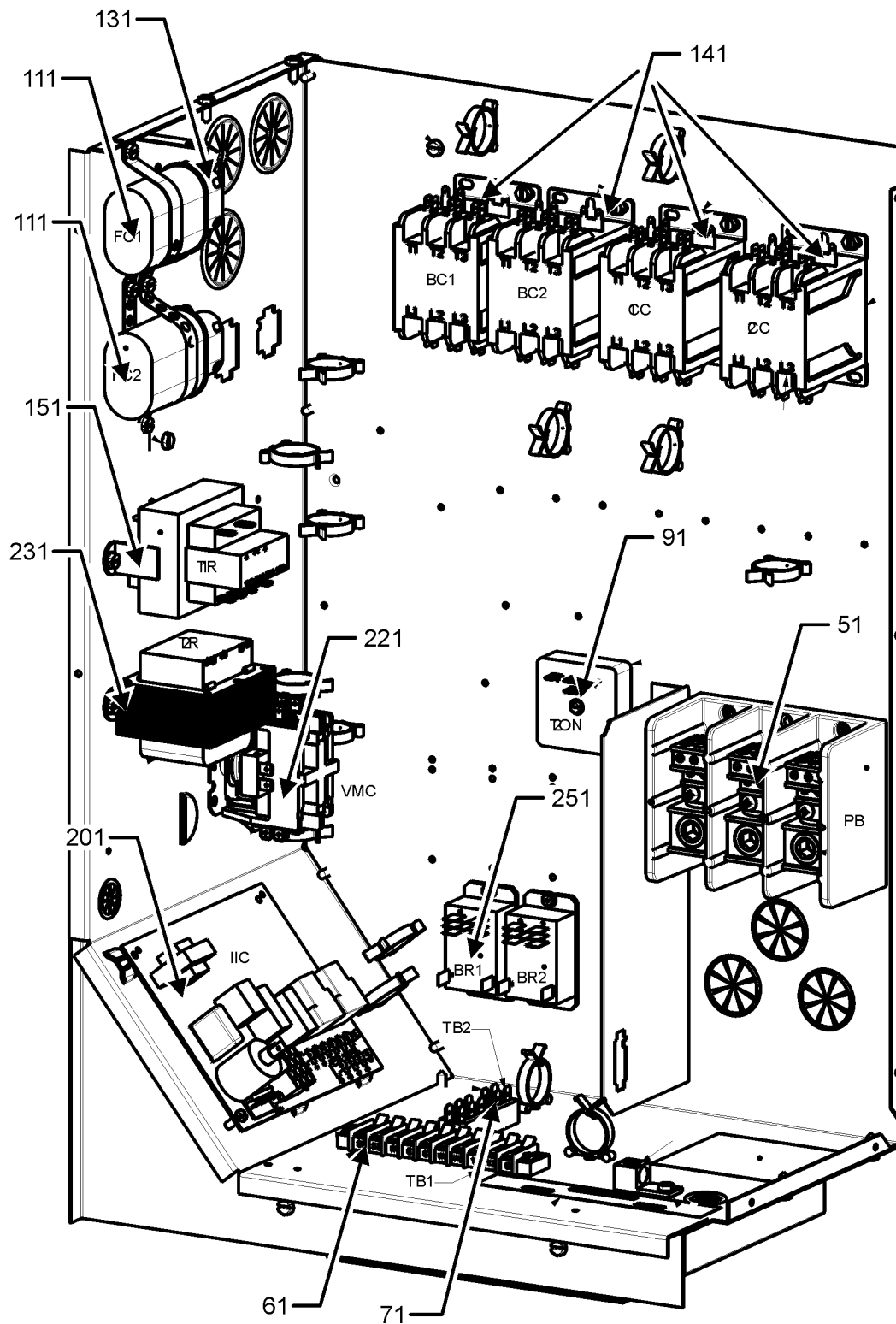
21	0163M00407	MACHINE KEY SPECIAL			
31	0163L00134	SHEAVE, FIXED AK74H			
41	0271L00005	ASSY BLOWER PURCHASED 15X12			
81	0163L00131	BUSHING 1"			
101	B1392923	WAHSER FLAT (QTY 4)			
111	0121L03916	BASE MOTOR			
121	B1393023	NUT LOCK .25-20			
131	B1393726	ELECT CONNECTING BUSHING			
141	B1393738	BOLT 1/4-20X3/4 (QTY 4)			
151	0163M00045	BOLT 1/4-20X4			
161	B1446707	SCREW 5/16-18X1" (QTY 4)			
171	0164L00000	FAN BELT NOTCHED AX51			
181	0163L00012	VARIABLE PITCH SHEAVE1VL40X7/8			
191	0131L00041	MOTOR 2 HP BELT DRIVE 208-230V (M1)			
191	0131L00043	MOTOR 2HP BELT DRIVE 460V (M2)			
191	0131L00042	MOTOR 2HP BELT DRIVE 575V (M3)			
201	3225000F	ANGLE BELT TIGHTENER			
211	B1392918	WASHER FLAT 1/4IDX1OD (QTY 4)			
241	20162904	LIMIT-BROWN			

**Expanded Model Nomenclature**

M1 - DBG0903VH00001SAA
M2 - DBG0904VH00001SAA
M3 - DBG0907VH00001SAA

# CONTROL BOX ASSEMBLY

## CONTROL BOX ASSEMBLY



NOTE: CONTROL BOX ASSEMBLY MAY DIFFER FROM WHAT IS SHOWN

# CONTROL BOX ASSEMBLY

Ref. Part No:	Part No:	Description:	Ref. Part No:	Part No:	Description:
---------------	----------	--------------	---------------	----------	--------------

**Image 1:**

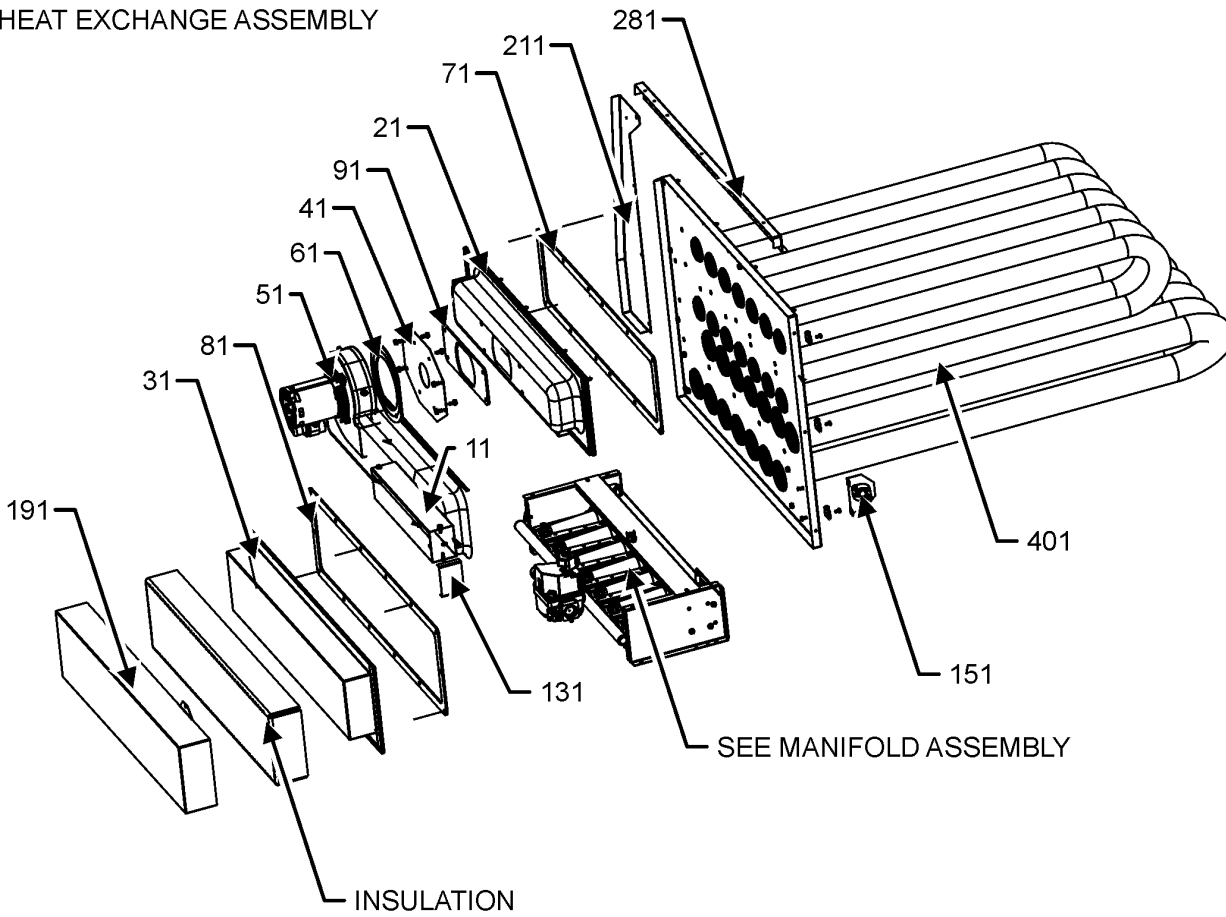
51	0130M00042	BLOCK POWER			
61	0130M00240	TERMINAL BOARD			
71	802007090	TERM BOARD			
91	B1370772	TIME DEALY ICM 180SEC DELA			
111	CAP100000370LA	CAP, 10 MFD/370V/OVAL (M1, M2)			
111	CAP050000440LA	CAPACITOR (M3)			
131	B821700	BOOT CAPACITOR (QTY 2)			
141	CONT3P030024V	CONT, 3 POLE 30 AMP 24VAC (QTY 4)			
151	0130M00598	TRANSFMR 75VA 575V TO 24V (M3)			
151	0130M00594	TRANSFORMER (M1)			
151	0130M00595	TRANSFORMER, 75VA, 480V TO 24V (M2)			
201	PCBAG123	PCB IGNITION DSI INTEG			
221	CONT2P025024V	CONT 2 POLE 25 AMP 24 VAC			
231	0130M00596	TRANSFMR, 150 VA, 480V TO 23 (M2)			
231	0130M00597	TRANSFMR, 150 VA, 575V TO 230V (M3)			
251	0130M00178	DPDT RELAY 24 VAC (QTY 2)			
NS	20520901	STRAP-CAPACI TOR (QTY 2)			

**Expanded Model Nomenclature**

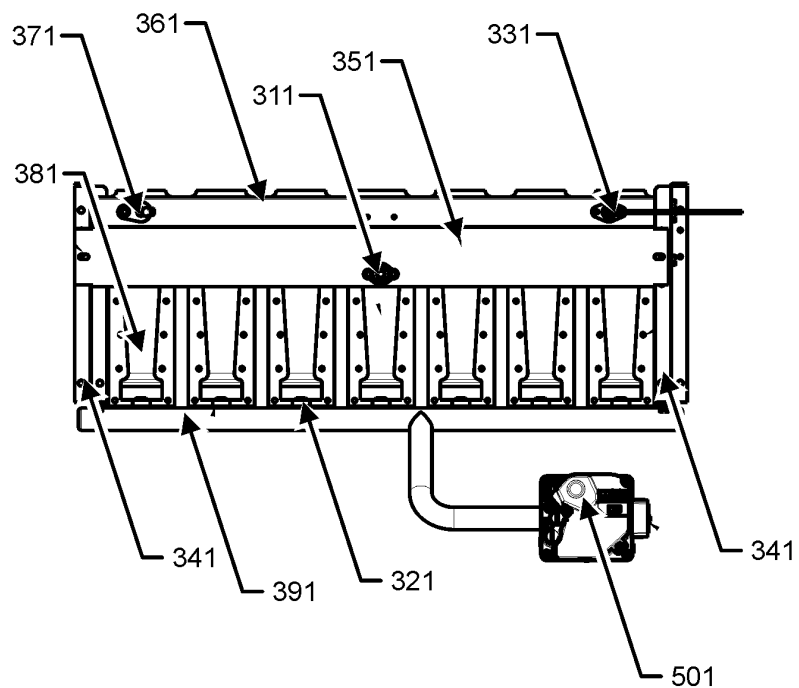
M1 - DBG0903VH00001SAA
M2 - DBG0904VH00001SAA
M3 - DBG0907VH00001SAA

# HEAT EXCHANGE ASSEMBLY

HEAT EXCHANGE ASSEMBLY



MANIFOLD ASSEMBLY



HEAT EXCHANGE ASSY MAY DIFFER FROM WHAT IS SHOWN

# HEAT EXCHANGE ASSEMBLY

<b>Ref. Part No: No:</b>	<b>Description:</b>	<b>Ref. Part No: No:</b>	<b>Description:</b>
<b>Image 1:</b>			
11	0121L03623		FLUE HT EXCH (QTY 2)
21	0121L02892		BOX, COLLECTOR UPPER
31	0121L02893		BOX, COLLECTOR LOWER
41	0121L01706		PLATE ORIFICE 2.000"
51	0131L00120		VENT MOTOR
61	0154L00141		GASKET
71	0154L00039		GASKET
81	0154L00038		GASKET
91	0154L00040		GASKET
131	0163L00006		SCREEN FLUE
151	0130F00035		LIMIT PRIMARY
191	0121L02660		COVER INSUL BOX COLL LOWER
211	0121L03220		HEAT EXCHANGER BLOCKOFF
281	0121L03221		SUPPORT BLOC KOFF HT EXCH
311	10123529		LIMIT-RESET MAN-GREEN
321	0163L00021		ORIFICE (QTY 7)
331	0130L00000		IGNITOR
341	0121L02998		BRACKET SUPPORT BURNER (QTY 2)
351	0121L03023		BRACKET ROLLOUT FLAME BR 7
361	0121L02690		BRACKET BURNER 7
371	0130F00010		FLAME SENSOR
381	0163L00006		BURNER BECKETT
391	0163L00144		MANIFOLD
401	0270L01355		ASSY PANEL PARTITION
501	0151L00000		GAS VALVE MANIFOLD 36H
NS	0121L02859		BRACKET, LIMIT PRIMARY
NS	0259L01055		WIRE HARNESS ASSY

## Expanded Model Nomenclature

M1 - DBG0903VH00001SAA
M2 - DBG0904VH00001SAA
M3 - DBG0907VH00001SAA

# ACCESSORY PARTS LIST

NOTE: NOT ALL OPTIONS AVAILABLE FOR ALL PRODUCTS

FOR ACCESSORY PARTS SEE THE FOLLOWING PART MANUAL

## RP-FIOPMC



**Ref. Part**  
**No: No: Description:**

**Ref. Part**  
**No: No: Description:**

---

**Image 1:**

NS RP-FIOPMC\* ACCESSORY RP MANUAL

**Expanded Model Nomenclature**

M1 - DBG0903VH00001SAA

M2 - DBG0904VH00001SAA

M3 - DBG0907VH00001SAA