



RESIDENTIAL GAS REPLACEMENT PARTS LIST

The Bradford White **DEFENDER Safety System™** **(M1, 2XR)**



Includes Hydrojet® Total Performance System

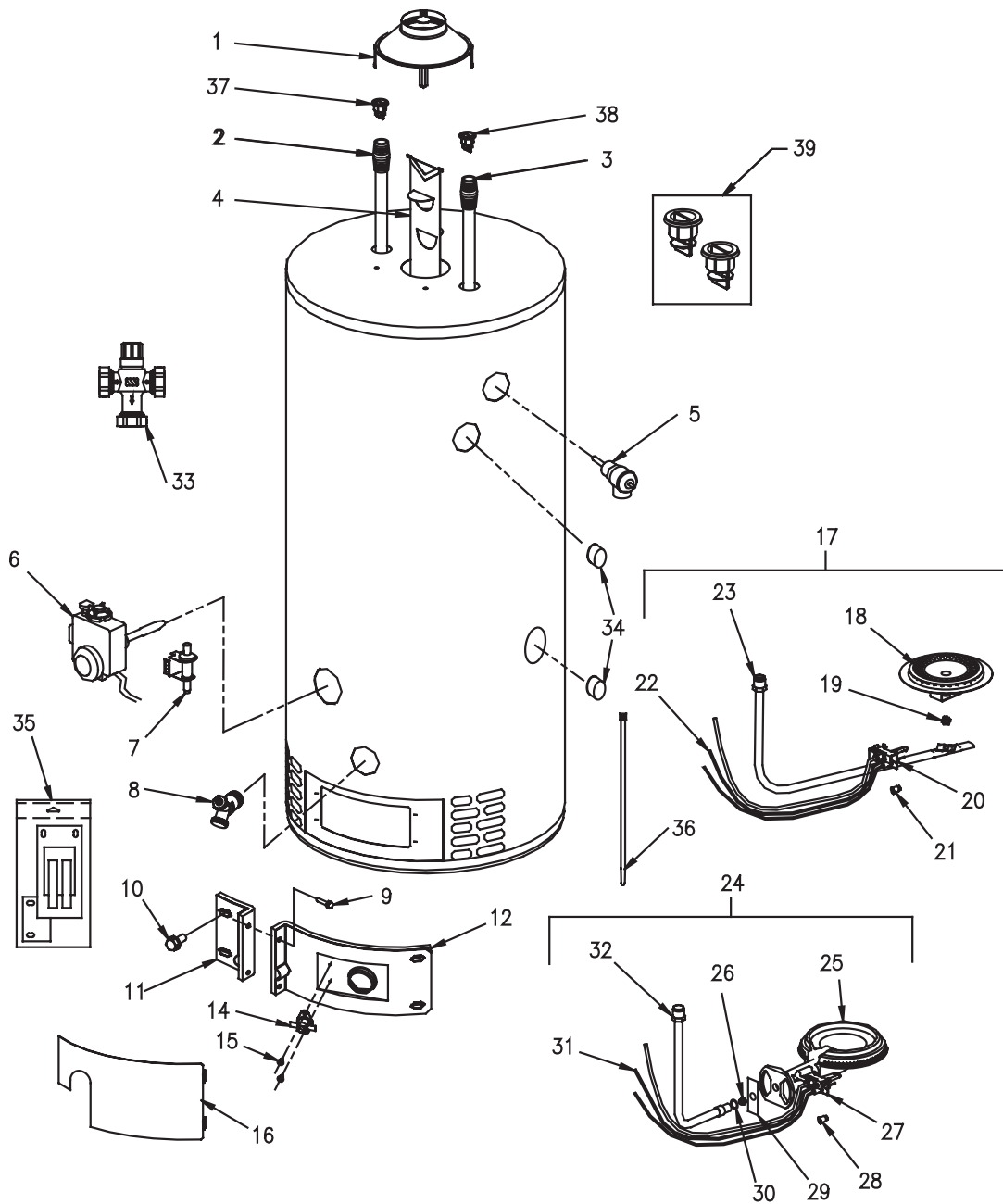
Dash Two, Four, Five and Seven
(-2,-4,-5,-7) Series

Meets all LoNox and (SCAQMD)
South Coast Air Quality
Management District
Requirements

Effective: December 1, 2004
ECO 6831, 6914, 6918, 6934

NOTE: BOTH MODEL AND SERIAL NUMBER ARE REQUIRED FOR ORDERING REPLACEMENT PARTS

Dimensions and specifications subject to change without notice.



Reference Number & Description

1	Draft Hood	21	Pilot Orifice
2	Hot Water Outlet/Anode	22	Thermocouple
3	Cold Water Inlet Tube	23	Feed Line
4	Flue Baffle	24	Complete Cast Iron Burner Assembly
5	T&P Relief Valve	25	Cast Iron Burner Only
6	Thermostat	26	Main Burner Orifice
7	Piezo Igniter	27	Pilot Assembly
8	Brass Drain Valve	28	Pilot Orifice
9	Screw-#8-18 x 3/4 Hex Washer Head	29	Air Shutter
10	Screw-#10-12 x 3/4 Hex Washer Head	30	Air Shutter Nut
11	Left Side Inner Door with Gasket	31	Thermocouple
12	Complete Right Side Inner Door with Gasket, Sight Glass & Resettable Thermal Switch	32	Feed Line
14	Resettable Thermal Switch	33	ASSE Approved Mixing Valve
15	Screw-#6-20 x 3/8 Pan Head Cross Recessed	34	3/4 NPT Pipe Plug
16	Outer Door	35	Inner Door Gasket Kit
17	Complete BN Burner Assembly	36	Wire Tie
18	BN Burner Only	37	Heat Trap Insert (Outlet)
19	Main Burner Orifice	38	Heat Trap Insert (Inlet)
20	Pilot Assembly	39	Kit-Hydrojet Heat Trap Insert (inlet, Outlet)

Parts Common To M1XR403S*F(BN,CX)(2,4,7) Models

Reference Number and Description	Part Number
1 Draft Hood	243-45001-00
2 Hot Water Outlet/Anode, Magnesium▲	224-32731-81
3 Cold Water Inlet Tube Polypropylene (Hydrojet)▲▲	229-39625-03
4 Flue Baffle	243-45223-00
5 T&P Relief Valve	265-32920-01
7 Piezo Igniter w/Bracket	243-43450-00
8 Brass Drain Valve (No Wheel)	227-42351-01
9 Screw-#8-18 x 3/4 Hex Washer Head	239-44195-00
10 Screw-#10-12 x 3/4 Hex Washer Head	239-44113-00
11 Left Side Inner Door with Gasket	239-43968-18
12 Complete Right Side Inner Door with Gasket, Sight Glass & Resettable Thermal Switch	243-43963-07
14 Resettable Thermal Switch	239-43676-02
15 Screw-#6-20 x 3/8 Pan Head Cross Recessed	239-43967-00
16 Outer Door	243-43962-00
34 3/4 NPT Pipe Plug	239-11638-00
35 Inner Door Gasket kit	239-44078-00
36 Wire Tie	239-44328-00
37 Heat Trap Insert (Outlet)	239-45167-00
38 Heat Trap Insert (Inlet)	239-45073-00

Optional Parts Reference Number and Description

2 Hot Water Outlet / Aluminum Anode Assembly▲	224-32999-31
2 Hot Water Outlet / A420 Aluminum Anode Assembly▲	224-45147-04
3 Cold Water Inlet Tube Polysulfone (Hydrojet) (NC Code)▲▲	229-39628-03
33 ASSE Approved Mixing Valve	239-43740-01
39 Kit-Heat Trap Inserts (PPDTA Hydrojet)(PPDTA Non-Hydrojet)(PSDTA Hydrojet)	265-45419-00

Parts Unique To M1XR403*FBN(2,4,7)

Reference Number and Description	Part Number
6 Robertshaw Natural Gas Thermostat Kit (with Inner Door Gasket kit)	265-43707-01
17 Complete BN burner Assembly with Orifice**	265-43971-03-32
18 BN Burner Only**	228-42506-00
19 Main Burner Orifice**	234-41034-32
20 Pilot assembly Natural Gas**	233-43973-02
21 Pilot Orifice Natural Gas**	234-33098-05
22 Thermocouple**	233-33043-15
23 Feedline Nat. Gas**	233-43960-03

Optional High Altitude Orifice

19 High Altitude Orifice 2000 Ft. to 5000 Ft.**	234-41034-36
19 High Altitude Orifice 5000 Ft. to 8000 Ft.**	234-41034-38
19 High Altitude Orifice Over 8000 Ft.**	234-41034-38

Parts Unique To M1XR403S*FCX(2,4,7)

Reference Number and Description	Part Number
6 Robertshaw LP Gas Thermostat Kit (with Inner Door Gasket kit)	265-43708-01
24 Complete Cast Iron burner Assembly with Orifice**	265-43972-03-50
25 Cast Iron Burner Only**	228-37743-00
26 Main Burner Orifice**	234-35928-50
27 Pilot Assembly LP Gas**	233-43974-02
28 Pilot Orifice LP Gas**	234-33098-02
29 Air Shutter**	239-35466-00
30 Air Shutter Nut**	239-18197-00
31 Thermocouple**	233-33043-18
32 Feed Line LP Gas**	233-43961-02

Optional High Altitude Orifice

26 High Altitude Orifice 2000 Ft. to 5000 Ft.**	234-35928-51
26 High Altitude Orifice 5000 Ft. to 8000 Ft.**	234-35928-52
26 High Altitude Orifice Over 8000 Ft.**	234-35928-53

*Applies to all warranties

**Inner door gasket kit 239-44078-00 required.

▲ Order with item 37 heat trap insert (required on -7 models)

▲ ▲ Order with item 38 heat trap insert (required on-7 models)

Parts Common To M1XR504T*F(BN,CX)(2,5,7) Models

Reference Number and Description	Part Number
1 Draft Hood	243-33081-02-20
2 Hot Water Outlet/Anode, Magnesium▲	224-32731-86
3 Cold Water Inlet Tube Polypropylene (Hydrojet)▲▲	229-39625-18
4 Flue Baffle	243-41037-00
5 T&P Relief Valve	265-32920-01
7 Piezo Igniter w/Bracket	243-43450-00
8 Brass Drain Valve (No Wheel)	227-42351-01
9 Screw-#8-18 x 3/4 Hex Washer Head	239-44195-00
10 Screw-#10-12 x 3/4 Hex Washer Head	239-44113-00
11 Left Side Inner Door with Gasket	239-43968-18
12 Complete Right Side Inner Door with Gasket, Sight Glass & Resettable Thermal Switch	243-43963-07
14 Resettable Thermal Switch	239-43676-02
15 Screw-#6-20 x 3/8 Pan Head Cross Recessed	239-43967-00
16 Outer Door	243-43962-00
34 3/4 NPT Pipe Plug	239-11638-00
35 Inner Door Gasket kit	239-44078-00
36 Wire Tie	239-44328-00
37 Heat Trap Insert (Outlet)	239-45167-00
38 Heat Trap Insert (Inlet)	239-45073-00

Optional Parts Reference Number and Description

2 Hot Water Outlet / Aluminum Anode Assembly_	224-32999-30
2 Hot Water Outlet / A420 Aluminum Anode Assembly▲	224-45147-01
3 Cold Water Inlet Tube Polysulfone (Hydrojet) (NC Code)▲▲	229-39628-18
33 ASSE Approved Mixing Valve	239-43740-01
39 Kit-Heat Trap Inserts (PPDTA Hydrojet)(PPDTA Non-Hydrojet)(PSDTA Hydrojet)	265-45419-00

Parts Unique To M1XR504T*FBN(2,5,7)

Reference Number and Description	Part Number
6 Robertshaw Natural Gas Thermostat Kit (with Inner Door Gasket kit)	265-43707-03
17 Complete BN burner Assembly with Orifice**	265-43971-03-27
18 BN Burner Only**	228-42506-00
19 Main Burner Orifice**	234-41034-27
20 Pilot assembly Natural Gas**	233-43973-02
21 Pilot Orifice Natural Gas**	234-33098-05
22 Thermocouple**	233-33043-15
23 Feedline Nat. Gas**	233-43960-03

Optional High Altitude Orifice

19 High Altitude Orifice 2000 Ft. to 5000 Ft.**	234-41034-29
19 High Altitude Orifice 5000 Ft. to 8000 Ft.**	234-41034-30
19 High Altitude Orifice Over 8000 Ft.**	234-41034-30

Parts Unique To M1XR504T*FCX(2,5,7)

Reference Number and Description	Part Number
6 Robertshaw LP Gas Thermostat Kit (with Inner Door Gasket kit)	265-43708-03
24 Complete Cast Iron burner Assembly with Orifice**	265-43972-03-43
25 Cast Iron Burner Only**	228-37743-00
26 Main Burner Orifice**	234-35928-43
27 Pilot Assembly LP Gas**	233-43974-02
28 Pilot Orifice LP Gas**	234-33098-02
29 Air Shutter**	239-35466-00
30 Air Shutter Nut**	239-18197-00
31 Thermocouple**	233-33043-18
32 Feed Line LP Gas**	233-43961-02

Optional High Altitude Orifice

26 High Altitude Orifice 2000 Ft. to 5000 Ft.**	234-35928-46
26 High Altitude Orifice 5000 Ft. to 8000 Ft.**	234-35928-47
26 High Altitude Orifice Over 8000 Ft.**	234-35928-47

*Applies to all warranties

**Inner door gasket kit 239-44078-00 required.

▲ Order with item 37 heat trap insert (required on -5 & -7 models)

▲ ▲ Order with item 38 heat trap insert (required on -5 & -7 models)

Parts Common To M2XR504T*F(BN,CX)(2,5,7) Models

Reference Number and Description	Part Number
1 Draft Hood	243-33081-02-20
2 Hot Water Outlet/Anode, Magnesium▲	224-32731-86
3 Cold Water Inlet Tube Polypropylene (Hydrojet)▲▲	229-39625-18
4 Flue Baffle	243-41037-00
5 T&P Relief Valve	230-40594-02
7 Piezo Igniter w/Bracket	243-43450-00
8 Brass Drain Valve (No Wheel)	227-42351-02
9 Screw-#8-18 x 3/4 Hex Washer Head	239-44195-00
10 Screw-#10-12 x 3/4 Hex Washer Head	239-44113-00
11 Left Side Inner Door with Gasket	239-43968-18
12 Complete Right Side Inner Door with Gasket, Sight Glass & Resettable Thermal Switch	243-43963-07
14 Resettable Thermal Switch	239-43676-02
15 Screw-#6-20 x 3/8 Pan Head Cross Recessed	239-43967-00
16 Outer Door	243-43962-00
34 3/4 NPT Pipe Plug	239-11638-00
35 Inner Door Gasket kit	239-44078-00
36 Wire Tie	239-44328-00
37 Heat Trap Insert (Outlet)	239-45167-00
38 Heat Trap Insert (Inlet)	239-45073-00

Optional Parts Reference Number and Description

2 Hot Water Outlet / Aluminum Anode Assembly▲	224-32999-30
2 Hot Water Outlet / A420 Aluminum Anode Assembly▲	224-45147-01
3 Cold Water Inlet Tube Polysulfone (Hydrojet) (NC Code)▲▲	229-39628-18
33 ASSE Approved Mixing Valve	239-43740-01
39 Kit-Heat Trap Inserts (PPDTA Hydrojet)(PPDTA Non-Hydrojet)(PSDTA Hydrojet)	265-45419-00

Parts Unique To M2XR504T*FBN(2,5,7)

Reference Number and Description	Part Number
6 Robertshaw Natural Gas Thermostat Kit (with Inner Door Gasket kit)	265-43707-04
17 Complete BN burner Assembly with Orifice**	265-43971-04-27
18 BN Burner Only**	228-42506-00
19 Main Burner Orifice**	234-41034-27
20 Pilot assembly Natural Gas**	233-43973-03
21 Pilot Orifice Natural Gas**	234-33098-05
22 Thermocouple**	233-33043-18
23 Feedline Nat. Gas**	233-43960-04

Optional High Altitude Orifice

19 High Altitude Orifice 2000 Ft. to 5000 Ft.**	234-41034-29
19 High Altitude Orifice 5000 Ft. to 8000 Ft.**	234-41034-30
19 High Altitude Orifice Over 8000 Ft.**	234-41034-30

Parts Unique To M2XR504T*FCX(2,5,7)

Reference Number and Description	Part Number
6 Robertshaw LP Gas Thermostat Kit (with Inner Door Gasket kit)	265-43708-02
24 Complete Cast Iron burner Assembly with Orifice**	265-43972-04-43
25 Cast Iron Burner Only**	228-37743-00
26 Main Burner Orifice**	234-35928-43
27 Pilot Assembly LP Gas**	233-43974-03
28 Pilot Orifice LP Gas**	234-33098-02
29 Air Shutter**	239-35466-00
30 Air Shutter Nut**	239-18197-00
31 Thermocouple**	233-33043-18
32 Feed Line LP Gas**	233-43961-03

Optional High Altitude Orifice

26 High Altitude Orifice 2000 Ft. to 5000 Ft.**	234-35928-46
26 High Altitude Orifice 5000 Ft. to 8000 Ft.**	234-35928-47
26 High Altitude Orifice Over 8000 Ft.**	234-35928-47

*Applies to all warranties

**Inner door gasket kit 239-44078-00 required.

▲ Order with item 37 heat trap insert (required on -5 & -7 models)

▲ ▲ Order with item 38 heat trap insert (required on -5 & -7 models)



Ambler, PA

For U.S. and Canada field service,
contact your professional installer or
local Bradford White sales representative.

Sales/800-523-2931
Fax/215-641-1670

Technical Support/800-334-3393
Fax/269-795-1089

Warranty/800-531-2111
Fax/269-795-1089

International:
Telephone/215-641-9400
Telefax/215-641-9750

Fax on Demand:
888-538-7833



Sales/Technical Support
866-690-0961
905-238-0100

Fax/905-238-0105

Email

parts@bradfordwhite.com
techserv@bradfordwhite.com

www.bradfordwhite.com
www.bradfordwhitecanada.com