



RESIDENTIAL & LIGHT DUTY COMMERCIAL REPLACEMENT PARTS LIST

Power Direct Vent "PDX", "PDX2" Models

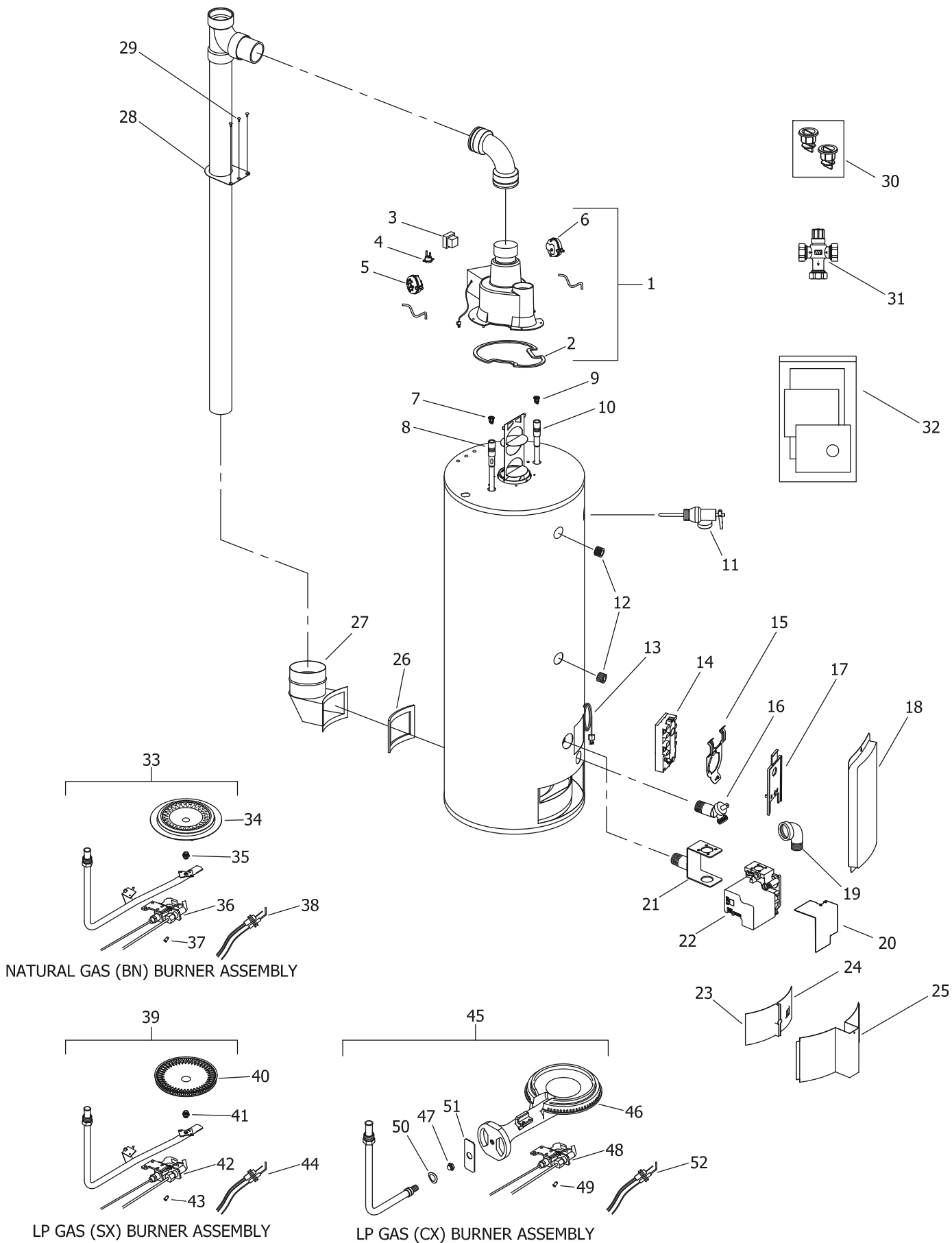


Includes Hydrojet®
Total Performance System

Effective: March 8, 2012
ECO 7496

**NOTE: BOTH MODEL AND SERIAL
NUMBERS ARE REQUIRED FOR
ORDERING REPLACEMENT PARTS**

Dimensions and specifications
subject to change without notice.



NATURAL GAS (BN) BURNER ASSEMBLY

LP GAS (SX) BURNER ASSEMBLY

LP GAS (CX) BURNER ASSEMBLY

LP GAS (SX) BURNER ASSEMBLY TO REPLACE LP GAS (CX) BURNER ASSEMBLY
ON ALL MODELS EXCEPT 75 & 100 GAL. MODELS

Item	Description	Model PDX250T* (BN,EN,CX)(10,13)	Model PDX265T* (BN,EN,CX)(10,13)	Model PDX275T* (BN,EN,CX)(10,13)	Model PDX50S60 (E*N,B*N,C*X)	Model PDX65S65 (E*N,B*N,C*X)	Model PDX75S70 (E*N,B*N,C*X)
1	Blower Assembly	239-42131-00	239-42131-00	239-42131-00	239-42131-00	239-42131-00	239-42131-00
2	Blower Gasket	239-42636-00	239-42636-00	239-42636-00	239-42636-00	239-42636-00	239-42636-00
3	Transformer	233-40753-00	233-40753-00	233-40753-00	233-40753-00	233-40753-00	233-40753-00
4	Temperature Switch	233-45876-00	233-45876-00	233-45876-00	233-45876-00	233-45876-00	233-45876-00
5	Intake Pressure Switch	239-45456-00	239-45456-00	239-45456-00	239-45456-00	239-45456-00	239-45456-00
6	Exhaust Pressure Switch	239-45455-00	239-45455-00	239-45455-00	239-45455-00	239-45455-00	239-45455-00
7	Heat Trap Insert (Outlet)	239-45167-00	239-45167-00	239-45167-00	239-45167-00	239-45167-00	239-45167-00
8	Hot Water Outlet Anode Magnesium▲	224-32731-86	224-32731-83	224-32731-83	224-32731-86	224-32731-83	224-32731-83
	Aluminum▲	224-32999-21	224-32999-06	224-32999-06	224-32999-21	224-32999-06	224-32999-06
	A420 Aluminum▲#	224-49560-08	224-49560-08	224-49560-08	224-49560-08	224-49560-08	224-49560-08
9	Heat Trap Insert (Inlet)	239-45073-00	239-45073-00	239-45073-00	239-45073-00	239-45073-00	239-45073-00
10	Cold Water Inlet Dip Tube Polypropylene▲	229-39625-17	229-39625-07	229-39625-08	229-39625-17	229-39625-07	229-39625-08
	Polyulfone (NC Code)▲	229-39628-17	229-39628-07	229-39628-08	229-39628-17	229-39628-07	229-39628-08
11	T&P Relief Valve	265-32920-01	265-32920-01	265-32920-01	265-32920-01	265-32920-01	265-32920-01
12	3/4 NPT Plug	239-11638-00	239-11638-00	239-11638-00	239-11638-00	239-11638-00	239-11638-00
13	Power Cord	239-39772-00	239-39772-00	239-39772-00	239-39772-00	239-39772-00	239-39772-00
14	Thermostat	219-42034-00	219-42034-00	219-42034-00	219-42034-00	219-42034-00	219-42034-00
15	Thermostat Bracket	239-44478-00	239-44478-00	239-44478-00	239-44478-00	239-44478-00	239-44478-00
16	Brass Drain Valve	265-42351-02	265-42351-02	265-42351-02	265-42351-02	265-42351-02	265-42351-02
17	Thermostat Cover	223-40399-00	223-40399-00	223-40399-00	223-40399-00	223-40399-00	223-40399-00
18	Hand Hole Cover	243-36618-02	243-36618-02	243-36618-02	243-36618-02	243-36618-02	243-36618-02
19	Street Elbow	239-40779-00	239-40779-00	239-40779-00	239-40779-00	239-40779-00	239-40779-00
20	Gas Valve Cover	239-40896-00	239-40896-00	239-40896-00	239-40896-00	239-40896-00	239-40896-00
21	Gas Valve Bracket	239-40687-00	239-40687-00	239-40687-00	239-40687-00	239-40687-00	239-40687-00
22	Gas Valve (Natural Gas)	222-40762-01	222-40762-01	222-40762-01	222-40762-01	222-40762-01	222-40762-01
	Gas Valve (LP Gas)	222-40762-02	222-40762-02	222-40762-02	222-40762-02	222-40762-02	222-40762-02
23	Left Side Inner Door	239-45416-00	239-45416-00	239-45416-00	239-45416-00	239-45416-00	239-45416-00
24	Right Side Inner Door (Sight Glass)	239-45415-00	239-45415-00	239-45415-00	239-45415-00	239-45415-00	239-45415-00
25	Outer Door	239-42641-00	239-42641-00	239-42641-00	239-42641-00	239-42641-00	239-42641-00
26	Air Intake Boot Gasket	239-41067-00	239-41067-00	239-41067-00	239-41067-00	239-41067-00	239-41067-00
27	Air Intake Boot	239-42060-01	239-42060-01	239-42060-01	239-42060-01	239-42060-01	239-42060-01
28	Vertical Support Bracket	239-42643-00	239-42643-00	239-42643-00	239-42643-00	239-42643-00	239-42643-00
29	Tek Screw- #8-18 X 1/2	239-32761-00	239-32761-00	239-32761-00	239-32761-00	239-32761-00	239-32761-00
30	Heat Trap Insert Kit	265-45419-00	265-45419-00	265-45419-00	265-45419-00	265-45419-00	265-45419-00
31	ASSE Approved Mixing Valve (Optional)	239-43740-01	239-43740-01	239-43740-01	239-43740-01	239-43740-01	239-43740-01
32	Inner Door Gasket Kit	239-45909-00	239-45909-00	239-45909-00	239-45909-00	239-45909-00	239-45909-00

*Applies to all warranties

**Inner door gasket kit recommended

***Ordering a complete burner assembly may increase delivery time. Please order the specific component required for the quickest delivery.

▲ Order with item 8

▲▲ Order with item 10

#A420 Anode may need to be cut to length

Item	Description	Model PDX250T* (BN,EN,CX)(10,13)	Model PDX265T* (BN,EN,CX)(10,13)	Model PDX275T* (BN,EN,CX)(10,13)	Model PDX50S60 (E*N,B*N,C*X)	Model PDX65S65 (E*N,B*N,C*X)	Model PDX75S70 (E*N,B*N,C*X)
Natural Gas (BN) Burner Assembly							
33	Nat. Gas (BN) Burner Assembly Complete**	265-47439-13-28	265-47439-13-27	265-42646-03-25	265-47439-13-28	265-47439-13-27	265-42646-03-25
34	Nat. Gas (BN) Burner**	228-42506-00	228-42506-00	228-42506-00	228-42506-00	228-42506-00	228-42506-00
35	Nat. Gas (BN) Main Burner Orifice**	234-41034-28	234-41034-27	234-41034-25	234-41034-28	234-41034-27	234-41034-25
	Nat. Gas (BN) High Altitude 2001 Ft. to 5000 Ft.**	234-41034-30	234-41034-29	234-41034-27	234-41034-30	234-41034-29	234-41034-27
	Nat. Gas (BN) High Altitude 5001 Ft. to 8000 Ft.**	234-41034-31	234-41034-30	234-41034-30	234-41034-31	234-41034-30	234-41034-30
	Nat. Gas (BN) High Altitude Over 8000 Ft.**	234-41034-31	234-41034-30	234-41034-30	234-41034-31	234-41034-30	234-41034-30
36	Nat. Gas Pilot Assembly**	233-43901-02	233-43901-02	233-43901-02	233-43901-02	233-43901-02	233-43901-02
37	Nat. Gas Pilot Orifice**	234-45869-01	234-45869-01	234-45869-01	234-45869-01	234-45869-01	234-45869-01
38	Nat. Gas Igniter/Flame Sensor	239-40918-00	239-40918-00	239-40918-00	239-40918-00	239-40918-00	239-40918-00
LP Gas (SX) Titanium Stabilized Stainless Steel Burner Assembly							
39	LP Gas (SX) Burner Assembly Complete**	265-47440-23-44	265-47440-23-44	265-47440-23-44	265-47440-23-44	265-47440-23-44	265-47440-23-44
40	LP Gas (SX) Burner**	228-47000-00	228-47000-00	228-47000-00	228-47000-00	228-47000-00	228-47000-00
41	LP Gas (SX) Main Burner Orifice**	234-47064-44	234-47064-44	234-47064-44	234-47064-44	234-47064-44	234-47064-44
	LP Gas (SX) High Altitude 2001 Ft. to 5000 Ft.**	234-47064-47	234-47064-47	234-47064-47	234-47064-47	234-47064-47	234-47064-47
	LP Gas (SX) High Altitude 5001 Ft. to 8000 Ft.**	234-47064-48	234-47064-48	234-47064-48	234-47064-48	234-47064-48	234-47064-48
	LP Gas (SX) High Altitude Over 8000 Ft.**	234-47064-48	234-47064-48	234-47064-48	234-47064-48	234-47064-48	234-47064-48
42	LP Gas Pilot Assembly**	233-43902-02	233-43902-02	233-43902-02	233-43902-02	233-43902-02	233-43902-02
43	LP Gas Pilot Orifice**	234-45869-02	234-45869-02	234-45869-02	234-45869-02	234-45869-02	234-45869-02
44	LP Gas Igniter/Flame Sensor	239-40918-00	239-40918-00	239-40918-00	239-40918-00	239-40918-00	239-40918-00
LP Gas (CX) Cast Iron Burner Assembly							
45	LP Gas (CX) Burner Assembly Complete**	SEE ITEM 36	SEE ITEM 36	265-42650-03-42	SEE ITEM 36	SEE ITEM 36	265-42650-03-42
46	LP Gas (CX) Burner**	SEE ITEM 36	SEE ITEM 36	228-42080-00	SEE ITEM 36	SEE ITEM 36	228-42080-00
47	LP Gas (CX) Main Burner Orifice**	SEE ITEM 36	SEE ITEM 36	234-35928-42	SEE ITEM 36	SEE ITEM 36	234-35928-42
	LP Gas (CX) High Altitude 2001 Ft. to 5000 Ft.**	SEE ITEM 36	SEE ITEM 36	234-35928-42	SEE ITEM 36	SEE ITEM 36	234-35928-42
	LP Gas (CX) High Altitude 5001 Ft. to 8000 Ft.**	SEE ITEM 36	SEE ITEM 36	234-35928-43	SEE ITEM 36	SEE ITEM 36	234-35928-43
	LP Gas (CX) High Altitude Over 8000 Ft.**	SEE ITEM 36	SEE ITEM 36	234-35928-45	SEE ITEM 36	SEE ITEM 36	234-35928-45
48	LP Gas Pilot Assembly**	SEE ITEM 36	SEE ITEM 36	233-45514-00	SEE ITEM 36	SEE ITEM 36	233-45514-00
49	LP Gas Pilot Orifice**	SEE ITEM 36	SEE ITEM 36	234-45869-02	SEE ITEM 36	SEE ITEM 36	234-45869-02
50	Spring Washer	SEE ITEM 36	SEE ITEM 36	239-40729-00	SEE ITEM 36	SEE ITEM 36	239-40729-00
51	Air Shutter	SEE ITEM 36	SEE ITEM 36	239-35466-00	SEE ITEM 36	SEE ITEM 36	239-35466-00
52	LP Gas Igniter/Flame Sensor	SEE ITEM 36	SEE ITEM 36	239-40918-00	SEE ITEM 36	SEE ITEM 36	239-40918-00
-	LP to Natural Gas Conversion Kit (Norm Alt.)	265-45913-01	265-45913-02	265-45913-03	---	---	---
-	LP to Natural Gas Conversion Kit (High Alt.)	265-45913-04	265-45913-05	265-45913-06	---	---	---

*Applies to all warranties

**Inner door gasket kit recommended

***Ordering a complete burner assembly may increase delivery time. Please order the specific component required for the quickest delivery.

▲ Order with item 8

▲▲ Order with item 10

#A420 Anode may need to be cut to length



BRADFORD WHITE®

W A T E R H E A T E R S

Ambler, PA

For U.S. and Canada field service,
contact your professional installer or
local Bradford White sales representative.

Sales/800-523-2931
Fax/215-641-1670
Parts Fax/215-641-2180

Technical Support/800-334-3393
Fax/269-795-1089

Warranty/800-531-2111
Fax/269-795-1089

International:
Telephone/215-641-9400
Telefax/215-641-9750



BRADFORD WHITE-CANADA® INC.

Mississauga, ON

Sales/866-690-0961
905-238-0100

Fax/905-238-0105

Technical Support/800-334-3393

Email

parts@bradfordwhite.com
techserv@bradfordwhite.com

www.bradfordwhite.com