



COMMERCIAL GAS REPLACEMENT PARTS LIST

Power Direct Vent (PDV-T) Models

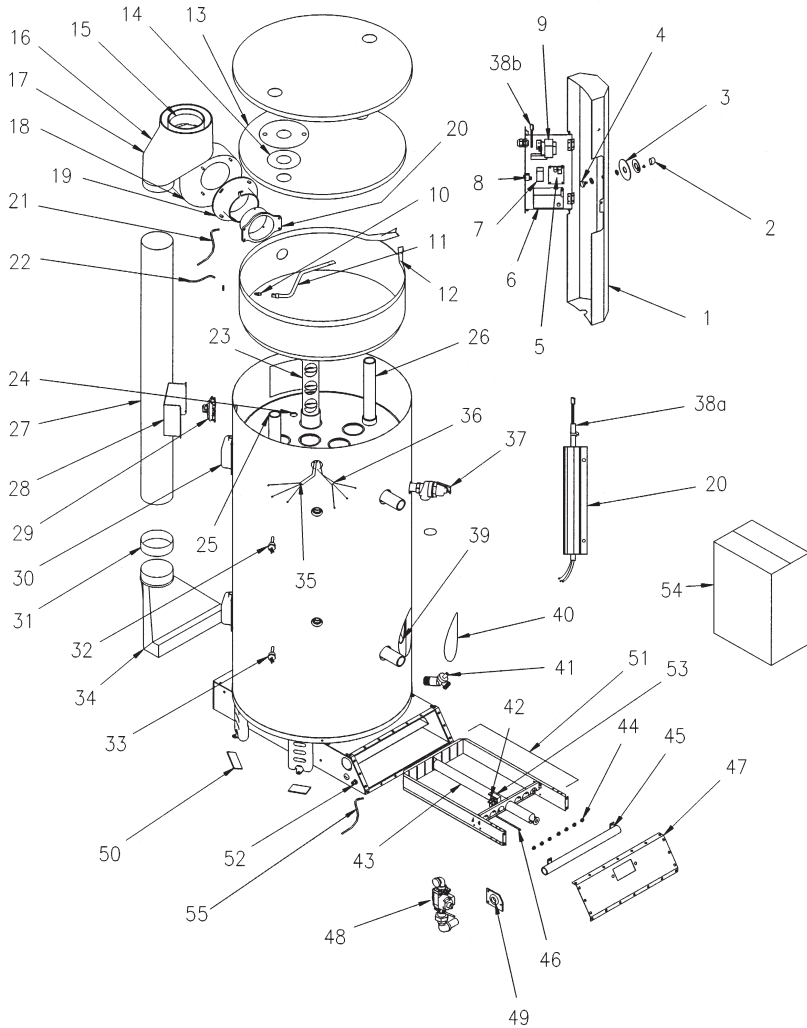


Includes Hydrojet® Total Performance System

Effective: September 9, 1999

NOTE: BOTH MODEL AND SERIAL NUMBER ARE REQUIRED FOR ORDERING REPLACEMENT PARTS

Dimensions and specifications subject to change without notice.



Reference Number & Description

1	Control Box Cover
2	T'Stat Knob
3	Metal Temp. Dial Plate
4	T'Stat potentiometer
5	T'Stat Control board
6	Ignition Module
7	Blower Relay
8	Main Power Switch
9	Transformer
10	Hose Barb
11	Pressure Sensing Tube
12	Collector Cover Gasket
13	Collector Cover
14	Top Nipple Gasket
15	Silicone Flue Pipe Seal
16	Vent Adaptor
17	Gasket-Blower Vent Adaptor (not shown- on Blower Flange)
18	Induced Draft Blower
19	Blower Mounting Flange w/ Press Tap
20	Raceway
21	Pressure Sensing Tubing Long
22	Pressure Sensing Tubing Short
23	Flue Baffle
24	Anode Rod - Magnesium Anode
25	Outlet Nipple
26	Dip Tube/ Cold Water Inlet (Hydrojet) Assembly
27	Combustion Air Inlet Tube
28	Pressure Switch Cover
29	Pressure Switch
30	Utility Cover
31	Combustion Air Inlet Clamp
32	Upper Temp. Sensor
33	Lower Temp. Sensor
34	Air Inlet Boot
35	Wire Harness Pressure Switch
36	Wire Harness Blower
37	T&P Relief Valve
38a	Wire Harness Lower Sensor
38b	Wire Harness Upper Sensor
39	Cleanout "O" Ring
40	Cleanout Cover
41	"No" Handle Drain Valve
42	Pilot Burner w/ Grommet
43	Burner Only
44	Nat. or L.P. Gas Orifice
45	Burner Manifold
46	Pilot Tubing
47	Burner Access Panel
48	Gas Valve
49	Flange Comb. Box
50	Thermal Break Kit
51	Burner Assembly
52	Pilot Tube Bulkhead Fitting
53	Pilot Shield
54	Vent Kit Assembly
55	Pilot Tubing (Gas Valve)

Parts Common To PDV80T(199,300)(E)*(N,X)(A) Models

Reference Number and Description	Part Number
1 Control Box Cover	243-41634-00
2 T'Stat Knob	239-41710-00
3 Metal Temp. Dial Plate	239-41302-00
4 T'Stat potentiometer	233-82054-00
5 T'Stat Control board	233-41347-00
6 Ignition Module	233-41567-00
7 Blower Relay	233-41560-00
8 Main Power Switch	239-41566-00
9 Transformer	233-81579-01
10 Hose Barb	239-41553-00
11 Pressure Sensing Tube	239-41577-00
12 Collector Cover Gasket	239-81162-00
13 Collector Cover	239-41602-00
14 Top Nipple Gasket	239-41554-01
15 Silicone Flue Pipe Seal	239-41595-00
16 Vent Adaptor	239-41523-00
17 Gasket-Blower Vent Adaptor	239-41549-00
18 Induced Draft Blower	239-41503-00
19 Blower Mounting Flange w/ Press Tap	239-41525-00
20 Raceway	243-41551-01
21 Pressure Sensing Tubing 14.5"	243-41827-02
22 Pressure Sensing Tubing 2"	243-41827-01
23 Flue Baffle	243-41455-00
24 Magnesium Anode	224-32758-24
25 Outlet Nipple	229-41573-00
26 Cold Water Inlet (Hydrojet) Assembly	229-41509-01
27 Combustion Air Inlet Tube	239-41590-01
28 Pressure Switch Cover	243-41763-00
30 Utility Cover	239-80281-03
31 Combustion Air Inlet Clamp	239-42065-00
32 Upper Temp. Sensor	239-82033-00
33 Lower Temp. Sensor	239-82034-00
34 Air Inlet Boot	239-41576-00
35 Wire Harness Pressure Switch	239-41579-00
36 Wire Harness Blower	239-41578-00
38a Wire Harness Lower Sensor	239-41568-01
38b Wire Harness Upper Sensor	239-41569-00
39 Cleanout "O" Ring	205-18427-00
40 Cleanout Cover (Tank)	205-18428-00
41 "No" Handle Drain Valve	227-42351-01
45 Burner Manifold	233-41550-00
47 Burner Access Panel	239-41608-00
49 Flange Comb. Box	239-41612-00
50 Thermal Break Kit	243-42726-02
52 Pilot Tube Bulkhead Fitting	239-41622-00
53 Pilot Shield	239-41333-00
55 Pilot Tubing (Gas Valve) 9/8"	233-80361-08

(*) Applies to all warranties.

Parts Unique to PDV80T199*N Model

Reference Number and Description	Part Number
29 Pressure Switch	239-41762-03
37 T&P Relief Valve	230-30246-00
42 Pilot Burner w/ Grommet	233-42013-01
43 Burner Only	228-39177-00
44 Nat. Gas Orifice #42	234-06016-42
46 Pilot Tubing	233-80361-09
48 Gas Valve	222-80830-02
51 Burner Assembly	243-41468-05
54 Vent Kit Assembly	243-41769-02
Optional Parts Reference Number and Description	
44 High Altitude Orifice 2000 Ft. to 5000 Ft.	234-06016-42
44 High Altitude Orifice 5000 Ft. to 8000 Ft.	234-06016-43
44 High Altitude Orifice Over 8000 Ft.	234-06016-43

Parts Unique to PDV80T199*X Model

Reference Number and Description	Part Number
29 Pressure Switch	239-41762-03
37 T&P Relief Valve	230-30246-00
42 Pilot Burner w/ Grommet	233-42013-02
43 Burner Only	228-39177-00
44 L.P. Gas Orifice #52	234-06016-52
46 Pilot Tubing	233-80361-09
48 Gas Valve	222-80831-02
51 Burner Assembly	243-41468-06
54 Vent Kit Assembly	243-41769-02
Optional Parts Reference Number and Description	
44 High Altitude Orifice 2000 Ft. to 5000 Ft.	234-06016-52
44 High Altitude Orifice 5000 Ft. to 8000 Ft.	234-06016-53
44 High Altitude Orifice Over 8000 Ft.	234-06016-53

Parts Unique to PDV80T300*N(A) Model

Reference Number and Description	Part Number
29 Pressure Switch	239-41762-03
37 T&P Relief Valve	230-33630-04
42 Pilot Burner w/ Grommet	233-42013-01
43 Burner Only	228-39177-00
44 Nat. Gas Orifice #33	234-06013-33
46 Pilot Tubing	233-80361-09
48 Gas Valve	222-80830-02
51 Burner Assembly	243-41468-07
54 Vent Kit Assembly	243-41769-01
Optional Parts Reference Number and Description	
44 High Altitude Orifice 2000 Ft. to 5000 Ft.	234-06013-33
44 High Altitude Orifice 5000 Ft. to 8000 Ft.	234-06013-34
44 High Altitude Orifice Over 8000 Ft.	234-06013-34

(*) Applies to all warranties.

Parts Unique to PDV80T300E*N Model

Reference Number and Description	Part Number
29 Pressure Switch	239-41762-03
37 T&P Relief Valve	230-33630-04
42 Pilot Burner w/ Grommet	233-42013-01
43 Burner Only – Low NO _x	228-42490-00
44 Nat. Gas Orifice #34	234-06016-34
46 Pilot Tubing	233-80361-09
48 Gas Valve	222-80830-02
51 Burner Assembly	243-42955-01
54 Vent Kit Assembly	243-41769-01
Optional Parts Reference Number and Description	
44 High Altitude Orifice 2000 Ft. to 5000 Ft.	234-06016-34
44 High Altitude Orifice 5000 Ft. to 8000 Ft.	234-06016-35
44 High Altitude Orifice Over 8000 Ft.	234-06016-35

Parts Unique to PDV80T300*X Model

Reference Number and Description	Part Number
29 Pressure Switch	239-41762-03
37 T&P Relief Valve	230-33630-04
42 Pilot Burner w/ Grommet	233-42013-02
43 Burner Only	228-39177-00
44 L.P. Gas Orifice #49	234-06016-49
46 Pilot Tubing	233-80361-09
48 Gas Valve	222-80831-02
51 Burner Assembly	243-41468-08
54 Vent Kit Assembly	243-41769-01
Optional Parts Reference Number and Description	
44 High Altitude Orifice 2000 Ft. to 5000 Ft.	234-06016-49
44 High Altitude Orifice 5000 Ft. to 8000 Ft.	234-06016-50
44 High Altitude Orifice Over 8000 Ft.	234-06016-50

(*) Applies to all warranties.

Parts Common To PDV100T(199,360)(E)*(N,X)(A) Models

Reference Number and Description	Part Number
1 Control Box Cover	243-41634-00
2 T'Stat Knob	239-41710-00
3 Metal Temp. Dial Plate	239-41302-00
4 T'Stat potentiometer	233-82054-00
5 T'Stat Control board	233-41347-00
6 Ignition Module	233-41567-00
7 Blower Relay	233-41560-00
8 Main Power Switch	239-41566-00
9 Transformer	233-81579-01
10 Hose Barb	239-41533-00
11 Pressure Sensing Tube	239-41577-00
12 Collector Cover Gasket	239-81162-00
13 Collector Cover	239-41602-00
14 Top Nipple Gasket	239-41554-01
15 Silicone Flue Pipe Seal	239-41595-00
16 Vent Adaptor	239-41523-00
17 Gasket-Blower Vent Adaptor	239-41549-00
18 Induced Draft Blower	239-41503-00
19 Blower Mounting Flange w/ Press Tap	239-41525-00
20 Raceway	243-41551-02
21 Pressure Sensing Tubing 14.5"	243-41827-02
22 Pressure Sensing Tubing 2"	243-41827-01
23 Flue Baffle	243-41455-00
24 Magnesium Anode	224-32758-24
25 Outlet Nipple	229-41573-00
26 Cold Water Inlet (Hydrojet) Assembly	229-41509-02
27 Combustion Air Inlet Tube	239-41590-02
28 Pressure Switch Cover	243-41763-00
30 Utility Cover	239-80281-03
31 Combustion Air Inlet Clamp	239-42065-00
32 Upper Temp. Sensor	239-82033-00
33 Lower Temp. Sensor	239-82034-00
34 Air Inlet Boot	239-41576-00
35 Wire Harness Pressure Switch	239-41579-00
36 Wire Harness Blower	239-41578-00
38a Wire Harness Lower Sensor	239-41568-02
38b Wire Harness Upper Sensor	239-41569-00
39 Cleanout "O" Ring	205-18427-00
40 Cleanout Cover (Tank)	205-18428-00
41 "No" Handle Drain Valve	227-42351-01
45 Burner Manifold	233-41550-00
47 Burner Access Panel	239-41608-00
49 Flange Comb. Box	239-41612-00
50 Thermal Break Kit	243-42726-02
52 Pilot Tube Bulkhead Fitting	239-41622-00
53 Pilot Shield	239-41333-00
55 Pilot Tubing (Gas Valve) 9/8"	233-80361-08

(*) Applies to all warranties.

Parts Unique to PDV100T199*N Model

Reference Number and Description	Part Number
29 Pressure Switch	239-41762-03
37 T&P Relief Valve	230-30246-00
42 Pilot Burner w/ Grommet	233-42013-01
43 Burner Only	228-39177-00
44 Nat. Gas Orifice #42	234-06016-42
46 Pilot Tubing	233-80361-09
48 Gas Valve	222-80830-02
51 Burner Assembly	243-41468-05
54 Vent Kit Assembly	243-41769-02
Optional Parts Reference Number and Description	
44 High Altitude Orifice 2000 Ft. to 5000 Ft.	234-06016-42
44 High Altitude Orifice 5000 Ft. to 8000 Ft.	234-06016-43
44 High Altitude Orifice Over 8000 Ft.	234-06016-43

Parts Unique to PDV100T199*X Model

Reference Number and Description	Part Number
29 Pressure Switch	239-41762-03
37 T&P Relief Valve	230-30246-00
42 Pilot Burner w/ Grommet	233-42013-02
43 Burner Only	228-39177-00
44 L.P. Gas Orifice #52	234-06016-52
46 Pilot Tubing	233-80361-09
48 Gas Valve	222-80831-02
51 Burner Assembly	243-41468-06
54 Vent Kit Assembly	243-41769-02
Optional Parts Reference Number and Description	
44 High Altitude Orifice 2000 Ft. to 5000 Ft.	234-06016-52
44 High Altitude Orifice 5000 Ft. to 8000 Ft.	234-06016-53
44 High Altitude Orifice Over 8000 Ft.	234-06016-53

Parts Unique to PDV100T360*N(A) Model

Reference Number and Description	Part Number
29 Pressure Switch	239-41762-01
37 T&P Relief Valve	230-33630-04
42 Pilot Burner w/ Grommet	233-42013-01
43 Burner Only	228-39177-00
44 Nat. Gas Orifice #31	234-06016-31
46 Pilot Tubing	233-80361-09
48 Gas Valve	222-80830-02
51 Burner Assembly	243-41468-09
54 Vent Kit Assembly	243-41769-01
Optional Parts Reference Number and Description	
44 High Altitude Orifice 2000 Ft. to 5000 Ft.	234-06016-31
44 High Altitude Orifice 5000 Ft. to 8000 Ft.	234-06016-32
44 High Altitude Orifice Over 8000 Ft.	234-06016-32

(*) Applies to all warranties.

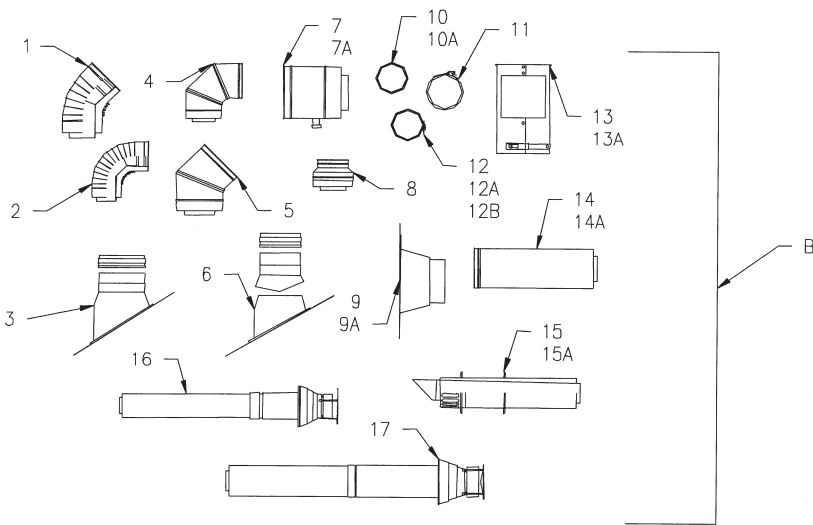
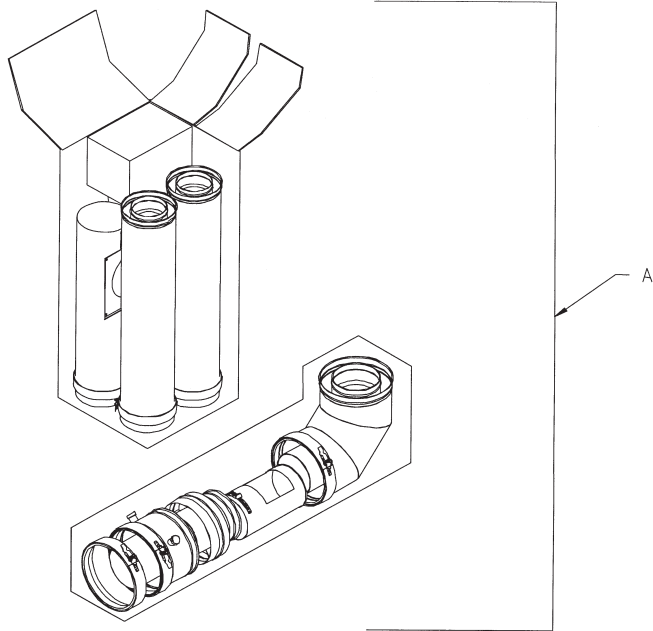
Parts Unique to PDV100T360E*N(A) Model

Reference Number and Description	Part Number
29 Pressure Switch	239-41762-01
37 T&P Relief Valve	230-33630-04
42 Pilot Burner w/ Grommet	233-42013-01
43 Burner Only-Lox Nox	228-42490-00
44 Nat. Gas Orifice #31	234-06016-31
46 Pilot Tubing	233-80361-09
48 Gas Valve	222-80830-02
51 Burner Assembly	243-42955-02
54 Vent Kit Assembly	243-41769-01
Optional Parts Reference Number and Description	
44 High Altitude Orifice 2000 Ft. to 5000 Ft.	234-06016-31
44 High Altitude Orifice 5000 Ft. to 8000 Ft.	234-06016-32
44 High Altitude Orifice Over 8000 Ft.	234-06016-32

Parts Unique to PDV100T360*X(A) Model

Reference Number and Description	Part Number
29 Pressure Switch	239-41762-01
37 T&P Relief Valve	230-33630-04
42 Pilot Burner w/ Grommet	233-42013-02
43 Burner Only	228-39177-00
44 L.P. Gas Orifice #47	234-06016-47
46 Pilot Tubing	233-80361-09
48 Gas Valve	222-80831-02
51 Burner Assembly	243-41468-10
54 Vent Kit Assembly	243-41769-01
Optional Parts Reference Number and Description	
44 High Altitude Orifice 2000 Ft. to 5000 Ft.	234-06016-47
44 High Altitude Orifice 5000 Ft. to 8000 Ft.	234-06016-48
44 High Altitude Orifice Over 8000 Ft.	234-06016-48

(*) Applies to all warranties.



Reference Number & Description

A	Vent Kit Components in Packaging
B	Individual Vent Kit Components
1	Coaxial Vent Elbow 45° 100/150 (clamp included)
2	Coaxial Vent Elbow 100/150 (clamp included)
3	Roof Flashing (200 mm)
4	Coaxial Vent Elbow 130/200 (clamp included)
5	Coaxial Vent Elbow 45° 130/200 (clamp included)
6	Adjustable Roof Flashing (150 mm)
7	Horizontal/Vertical Condensate Trap 100/150 (clamp included)
7A	Horizontal/Vertical Condensate Trap 130/200 (clamp included)
8	Coaxial Vent Tube Reducer
9	Roof Flashing (150 mm)
9A	Roof Flashing (200 mm)
10	Silicone Seal (100 mm)
10A	Silicone Seal (130 mm)
11	Combustion Air Inlet Tube Clamp
12	Vent Pipe Clamp (150 mm)
12A	Vent Pipe Clamp (200 mm)
12B	Vent Adaptor Clamp
13	Cap Horizontal Vent Term. (100 mm)
13A	Cap Horizontal Vent Term. (130 mm)
14	Coaxial Tube 100/150 (clamp included) 39" Long
14A	Coaxial Tube 130/200 (clamp included) 39" Long
15	Coaxial Vent Term. Horizontal 100/150 (clamp included)
15A	Coaxial Vent Term. Horizontal 130/200 (clamp included)
16	Coax Vent Term. Vertical 100/150 (hanger & clamp included)
17	Coax Vent Term. Vertical 130/200 (hanger & clamp included)

* All Vent pipes, elbows, vent terminals, condensate traps, and reducers include the silicone flue seal.

Optional Parts For Vent Kits

Reference Number and Description	Part Number
1 Coaxial Vent Elbow 45° 100/150 (clamp included)	239-41598-00
2 Coaxial Vent Elbow 100/150 (clamp included)	239-41591-00
3 Roof Flashing (200 mm)	239-41859-00
4 Coaxial Vent Elbow 130/200 (clamp included)	239-41584-00
5 Coaxial Vent Elbow 45° 130/200 (clamp included)	239-41585-00
6 Adjustable Roof Flashing (150 mm)	239-41679-00
7 Horizontal/Verical Condensate Trap 100/150 (clamp included)	239-41596-00
7A Horizontal/Vertical Condensate Trap 130/200 (clamp included)	239-41597-00
8 Coaxial Vent Tube Reducer	239-41458-00
9 Roof Flashing (150 mm)	239-41678-01
9A Roof Flashing (200 mm)	239-41678-02
10 Silicone Seal (100 mm)	239-41592-00
10A Silicone Seal (130 mm)	239-41595-00
11 Combustion Air Inlet Tube Clamp	239-42065-00
12 Vent Pipe Clamp (150 mm)	239-41628-00
12A Vent Pipe Clamp (200 mm)	239-41629-00
12B Vent Adaptor Clamp	239-41459-00
13 Cap Horizontal Vent Term. (100 mm)	239-41677-00
13A Cap Horizontal Vent Term. (130 mm)	239-41676-00
14 Coaxial Tube 100/150 (clamp included)	239-41594-00
14A Coaxial Tube 130/200 (clamp included)	239-41593-00
15 Coaxial Vent Term. Horizontal 100/150 (clamp included) 23" Long	239-41588-00
15A Coaxial Vent Term. Horizontal 130/200 (clamp included) 27" Long	239-41589-00
16 Coax Vent Term. Vertical 100/150 (hanger & clamp included)	239-41587-00
17 Coax Vent Term. Vertical 130/200 (hanger & clamp included)	239-41586-00



BRADFORD WHITE[®]
C O R P O R A T I O N

200 Lafayette Street
Middleville, Michigan 49333

Sales/800-538-2020
800-532-4020
Fax/215-641-1670

Service/800-334-3393
Fax/616-795-1089

Warranty/800-531-2111
Fax/616-795-1089

International:
Telephone/215-641-9400
Telefax/215-641-9750

In Canada:
Sales/800-523-2931
Fax/215-641-9750
Service/800-334-3393
Fax/616-795-1089

Fax on Demand:
888-538-7833

www.bradfordwhite.com