



RESIDENTIAL REPLACEMENT PARTS LIST

Through-The-Wall TTW[®]1, TTW[®]2 Energy Saver (M1TW, M2TW, M4TW) Models



DEFENDER
SAFETY SYSTEM[®]

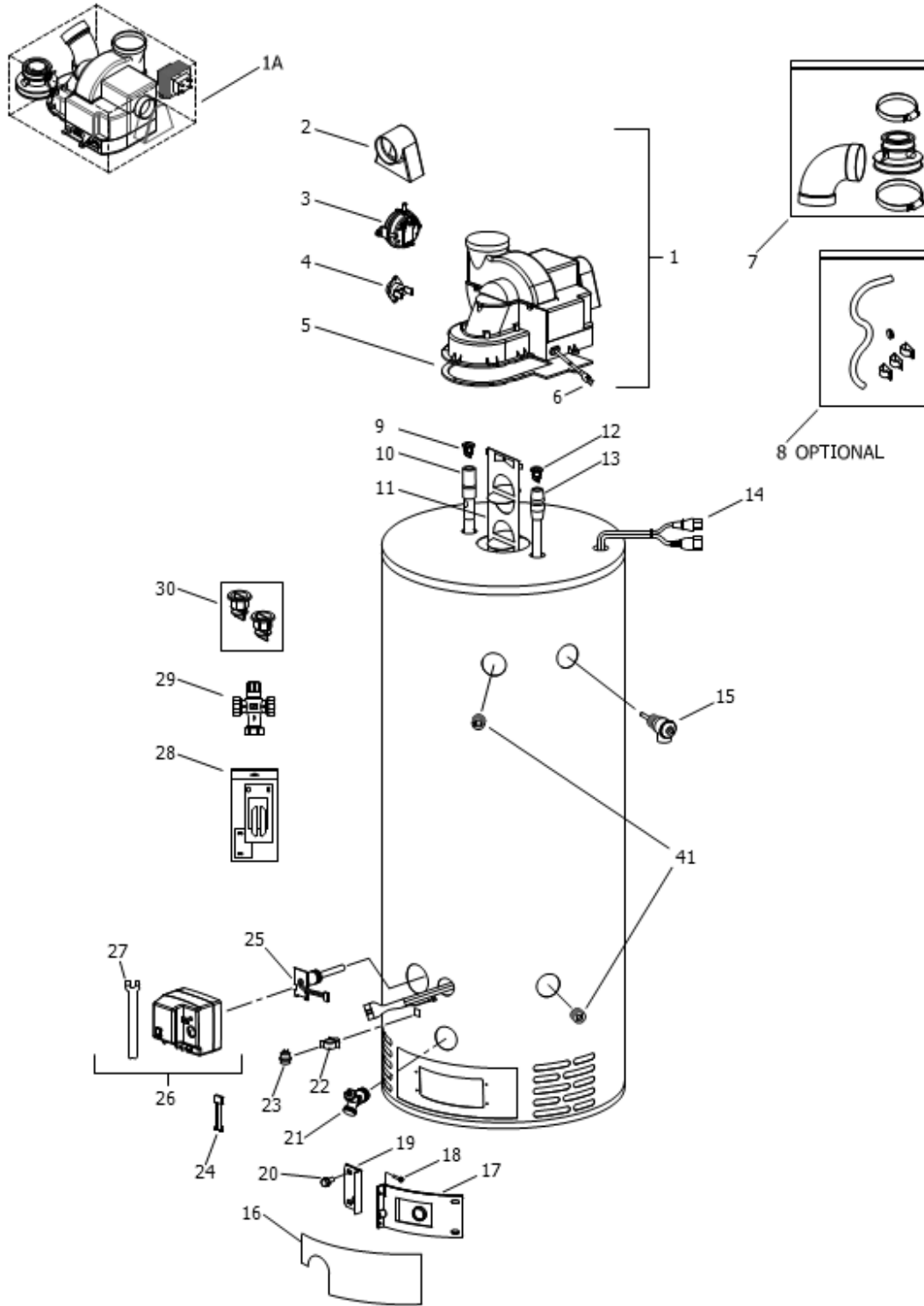
Includes Hydrojet[®]
Total Performance System

Effective: September, 2010
ECO 7589

**NOTE: BOTH MODEL AND SERIAL
NUMBERS ARE REQUIRED FOR
ORDERING REPLACEMENT PARTS**

Dimensions and specifications
subject to change without notice.

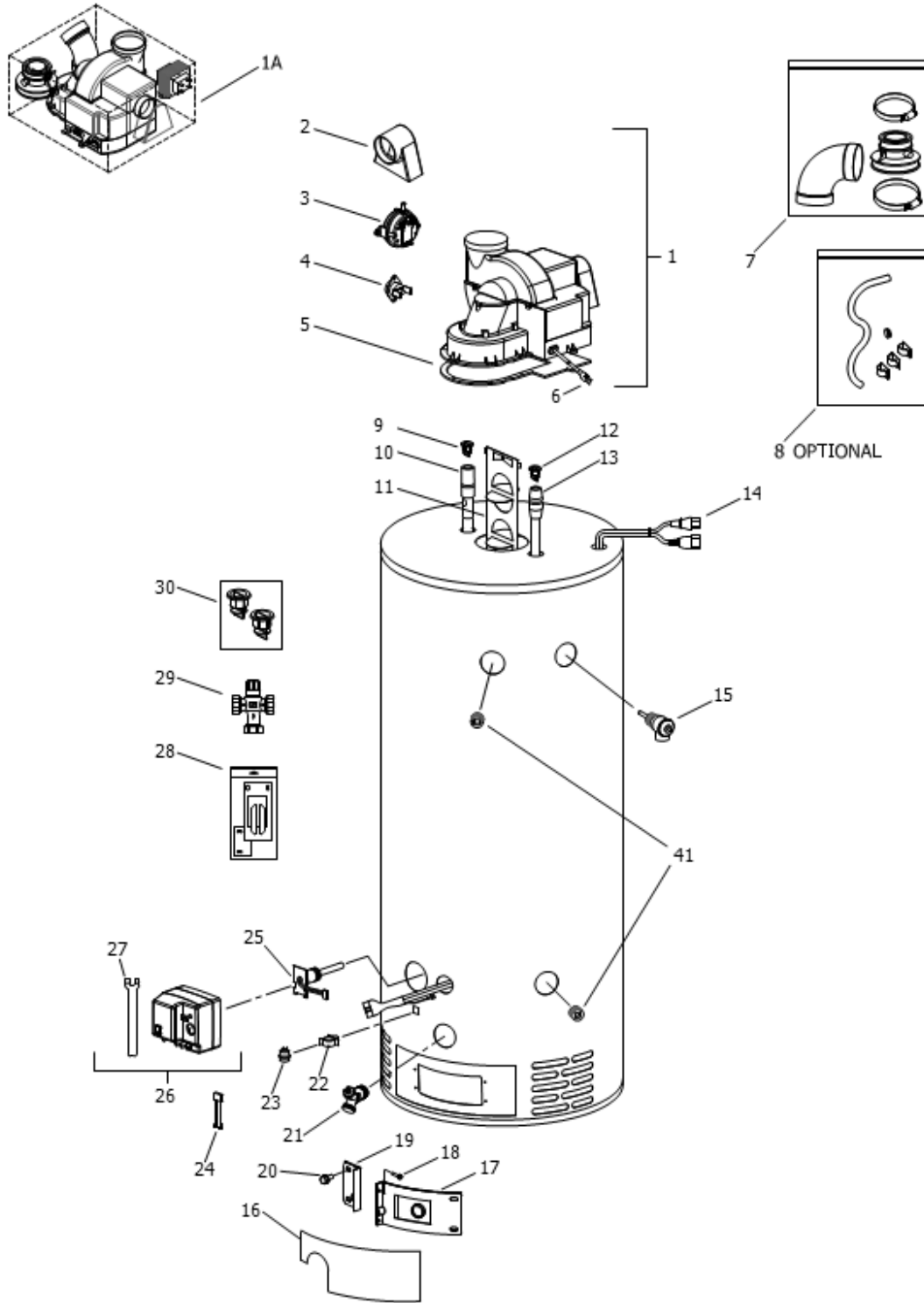
(Model Shown: M-1-TW-40S6FBN)



LP GAS (SX) BURNER ASSEMBLY TO REPLACE LP GAS (CX) BURNER ASSEMBLY
ON ALL MODELS EXCEPT 75 & 100 GAL. MODELS

Item	Description	Model	Model	Model	Model	Model
		M1TW40S*F(BN,CX,SX)	M1TW50S*F(BN,CX,SX)	M1TW60T*F(BN,CX,SX)	M2TW50T*F(BN,CX,SX)	
1	Blower Complete	265-45584-00	265-45584-00	265-45584-00	265-45584-00	265-45583-00
	Blower Complete High Altitude	243-45987-00	243-45987-00	243-45987-00	243-45987-00	243-45986-00
1A	Universal SVC Blower Kit	265-47200-00	265-47200-00	265-47200-00	265-47200-00	---
2	Air Mixing Inlet	239-45868-00	239-45868-00	239-45868-00	239-45868-00	239-45868-00
3	Pressure Switch	239-45867-01	239-45867-01	239-45867-01	239-45867-01	239-45867-02
	Pressure Switch High Altitude	239-45867-03	239-45867-03	239-45867-03	239-45867-03	239-45867-04
4	Blower Temperature Switch	239-45865-00	239-45865-00	239-45865-00	239-45865-00	239-45865-00
5	Blower Gasket	239-45866-00	239-45866-00	239-45866-00	239-45866-00	239-45866-00
6	Blower Power Cord	239-45990-00	239-45990-00	239-45990-00	239-45990-00	239-45990-00
7	2" Exhaust Adaptor w/Vent Terminal	239-46263-00	239-46263-00	239-46263-00	239-46263-00	---
	3" Exhaust Adaptor w/Vent Terminal	---	---	---	---	239-46264-00
8	Condensate Hose Kit (Optional)	239-45875-00	239-45875-00	239-45875-00	239-45875-00	239-45875-00
9	Heat Trap Insert (Outlet)	239-45167-00	239-45167-00	239-45167-00	239-45167-00	239-45167-00
10	Hot Water Outlet Anode Magnesium ▲	224-47776-09	224-47776-09	224-47776-12	224-47776-12	224-47776-12
	Hot Water Outlet Aluminum ▲ (Optional)	224-32999-22	224-32999-22	224-32999-21	224-32999-21	224-32999-30
	Hot Water Outlet A420 Aluminum ▲ (Optional)	224-45147-01	224-45147-01	224-45147-01	224-45147-01	224-45147-01
11	Flue Baffle	243-45372-00	243-45372-00	243-46233-00	243-46233-00	239-45373-00
12	Heat Trap Insert (Inlet)	239-45073-00	239-45073-00	239-45073-00	239-45073-00	239-45073-00
13	Cold Water Inlet Dip Tube Polypropylene ▲▲	229-39625-20	229-39625-20	229-39625-14	229-39625-14	229-45398-01
	Cold Water Inlet Polysulfone (NC Code) ▲▲	229-39628-20	229-39628-20	229-39628-14	229-39628-14	229-45092-01
14	Safety Circuit Wire Harness	239-45617-01	239-45617-01	239-45617-02	239-45617-02	239-45617-02
15	T&P Relief Valve	230-32920-01	230-32920-01	230-32920-01	230-32920-01	230-40594-02
16	Outer Door	243-43962-00	243-43962-00	243-43962-00	243-43962-00	243-43962-00
17	Right Side Inner Door Complete	239-45642-18	239-45642-20	239-45642-20	239-45642-20	239-45642-18
18	Screw #8-18 x 3/4 HWH	239-44195-00	239-44195-00	239-44195-00	239-44195-00	239-44195-00
19	Left Side Inner Door Complete	239-43968-18	239-43968-20	239-43968-20	239-43968-20	239-43968-18
20	Screw #10-12 x 3/4 HWH	239-44113-00	239-44113-00	239-44113-00	239-44113-00	239-44113-00
21	Brass Drain Valve	265-42351-02	265-42351-02	265-42351-02	265-42351-02	265-42351-02
22	Flammable Vapor Sensor Clip	239-45648-00	239-45648-00	239-45648-00	239-45648-00	239-45648-00
23	Flammable Vapor Sensor	239-45560-00	239-45560-00	239-45560-00	239-45560-00	239-45560-00
24	Flammable Vapor Sensor Harness	239-45620-00	239-45620-00	239-45620-00	239-45620-00	239-45620-00
25	Thermowell	233-45651-01	233-45651-01	233-45651-01	233-45651-01	233-45651-02

*Applies to all warranties
 **Inner door gasket kit recommended
 ***Ordering a complete burner assembly may increase delivery time. Please order the specific component required for the quickest delivery.
 ▲ Order with item 9
 ▲▲ Order with item 12



LP GAS (SX) BURNER ASSEMBLY TO REPLACE LP GAS (CX) BURNER ASSEMBLY
ON ALL MODELS EXCEPT 75 & 100 GAL. MODELS

Item Description	Model	Model	Model	Model
	M1TW40S*F(BN,CX,SX)	M1TW50S*F(BN,CX,SX)	M1TW60T*F(BN,CX,SX)	M2TW50T*F(BN,CX,SX)
26 Gas Valve Natural Gas	239-45613-01	239-45613-01	239-45613-01	239-45613-01
Gas Valve LP Gas	239-45614-01	239-45614-01	239-45614-01	239-45614-01
27 Gas Valve Service Tool	239-45991-00	239-45991-00	239-45991-00	239-45991-00
28 Inner Door Gasket Kit	239-44078-00	239-44078-00	239-44078-00	239-44078-00
29 ASSE Approved Mixing Valve (Optional)	239-43740-01	239-43740-01	239-43740-01	239-43740-01
30 Kit-Heat Trap Insert	265-45419-00	265-45419-00	265-45419-00	265-45419-00
41 3/4" NPT Pipe Plug	----	----	----	239-11638-00

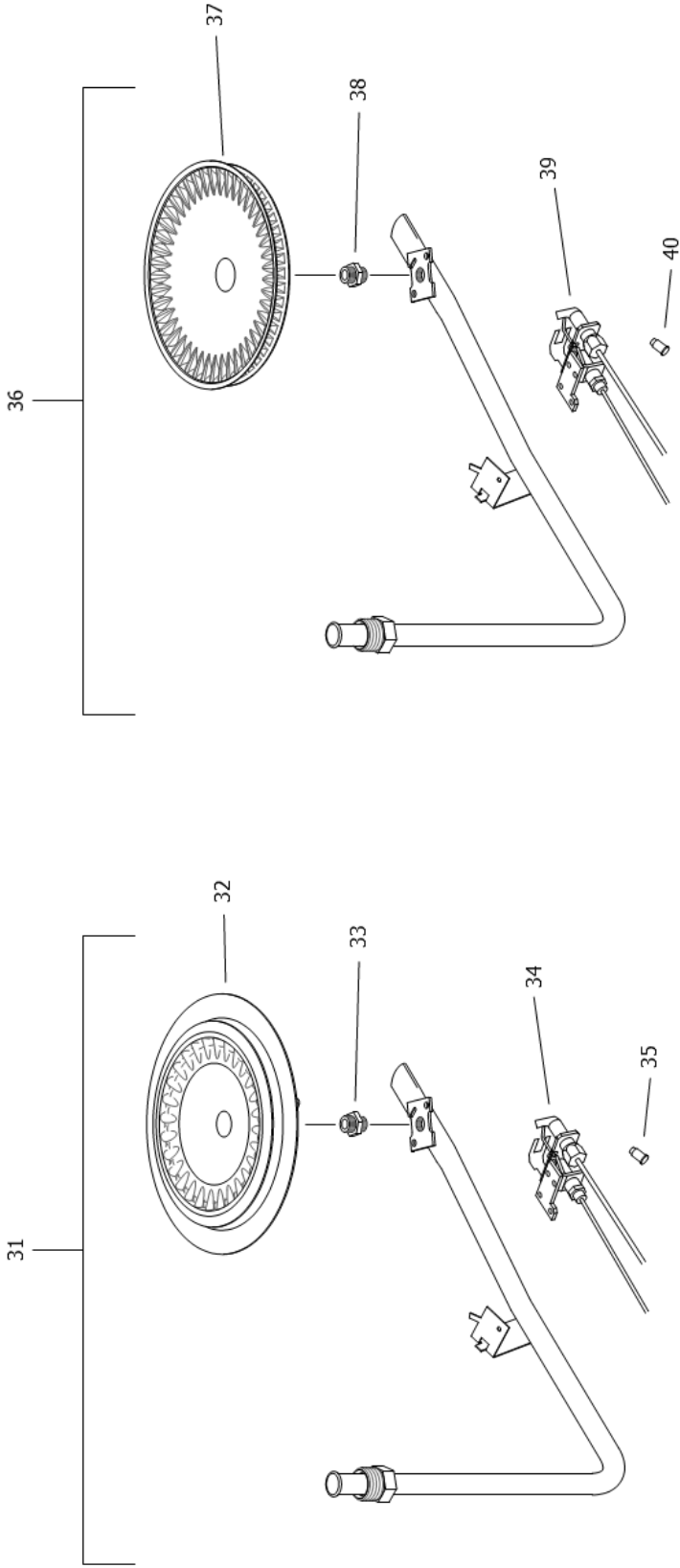
*Applies to all warranties

**Inner door gasket kit recommended

***Ordering a complete burner assembly may increase delivery time. Please order the specific component required for the quickest delivery.

▲ Order with item 9

▲▲ Order with item 12



NATURAL GAS (BN) BURNER ASSEMBLY

LP GAS (SX) BURNER ASSEMBLY

LP GAS (SX) BURNER ASSEMBLY TO REPLACE LP GAS (CX) BURNER ASSEMBLY
ON ALL MODELS EXCEPT 75 & 100 GAL. MODELS

Item	Description	Model	Model	Model	Model
		M1TW40S*F(BN,CX,SX)	M1TW50S*F(BN,CX,SX)	M1TW60T*F(BN,CX,SX)	M2TW50T*F(BN,CX,SX)
Natural Gas (BN) Burner Assembly					
31	Nat Gas Burner Assembly Complete***	265-47439-06-32	265-47439-09-32	265-47439-09-31	265-47439-06-26
32	Nat. Gas (BN) Burner**	228-42506-00	228-42506-00	228-42506-00	228-42506-00
33	Nat. Gas (BN) Main Burner Orifice**	234-41034-32	234-41034-32	234-41034-31	234-41034-26
	Nat. Gas (BN) High Altitude 2001 Ft. to 5000 Ft.**	234-41034-33	234-41034-33	234-41034-33	234-41034-29
	Nat. Gas (BN) High Altitude 5001 Ft. to 8000 Ft.**	234-41034-35	234-41034-35	234-41034-35	234-41034-30
	Nat. Gas (BN) High Altitude Over 8000 Ft.**	234-41034-38	234-41034-38	234-41034-38	234-41034-31
34	Nat. Gas Pilot Assembly**	233-45653-05	233-45653-05	233-45653-05	233-45653-05
35	Nat. Gas Pilot Orifice**	234-45869-01	234-45869-01	234-45869-01	234-45869-01
LP Gas (SX) Titanium Stabilized Stainless Steel Burner Assembly (Replacement for LP Gas (CX) Cast Iron Burner)					
36	LP Gas Burner Assembly Complete***	265-47440-09-50	265-47440-15-50	265-47440-15-49	265-47440-10-43
37	LP Gas (SX) Burner**	228-46964-00	228-46964-00	228-46964-00	228-47000-00
38	LP Gas (SX) Main Burner Orifice**	234-47064-50	234-47064-50	234-47064-49	234-47064-43
	LP Gas (SX) High Altitude 2001 Ft. to 5000 Ft.**	234-47064-51	234-47064-51	234-47064-51	234-47064-44
	LP Gas (SX) High Altitude 5001 Ft. to 8000 Ft.**	234-47064-52	234-47064-52	234-47064-52	234-47064-47
	LP Gas (SX) High Altitude Over 8000 Ft.**	234-47064-53	234-47064-53	234-47064-53	234-47064-48
39	LP Gas Pilot Assembly**	233-45653-04	233-45653-04	233-45653-04	233-45653-04
40	LP Gas Pilot Orifice**	234-45869-02	234-45869-02	234-45869-02	233-45869-02
-	LP to Natural Gas Conversion Kit (Norm Alt.)	265-46493-02	265-46493-06	265-46493-09	265-46493-11
-	LP to Natural Gas Conversion Kit (High Alt.)	265-46493-04	265-46493-08	265-46493-08	265-46493-14

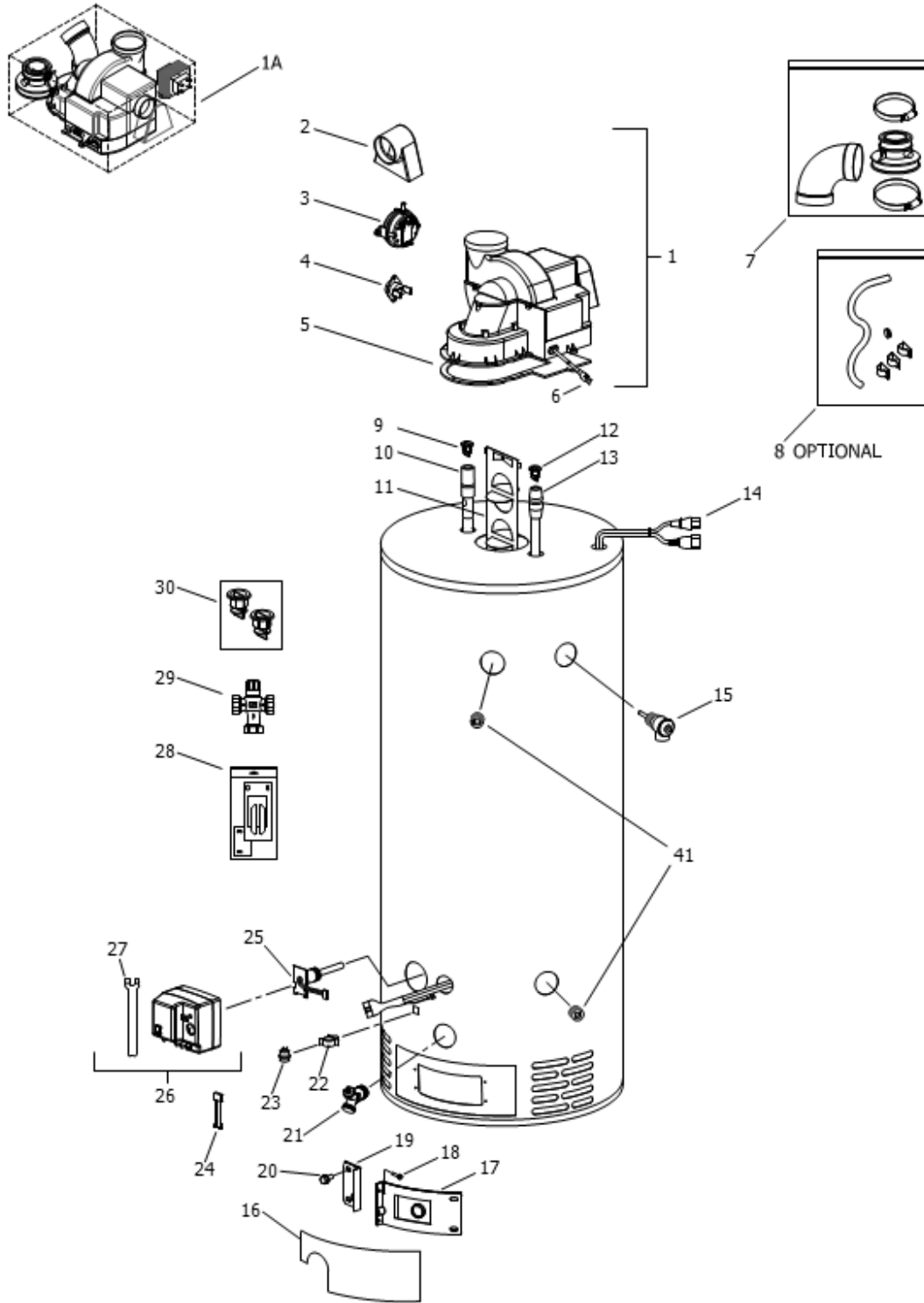
Applies to all warranties

**Inner door gasket kit recommended

***Ordering a complete burner assembly may increase delivery time. Please order the specific component required for the quickest delivery.

▲ Order with item 9

▲▲ Order with item 12



LP GAS (SX) BURNER ASSEMBLY TO REPLACE LP GAS (CX) BURNER ASSEMBLY
ON ALL MODELS EXCEPT 75 & 100 GAL. MODELS

Item	Description	Model	Model	Model	Model
		M2TW65T*F(BN,CX,SX)	M4TW40T*F(BN,SX)	M4TW50T*F(BN,SX)	M4TW60T*F(BN,SX)
1	Blower Complete	265-45583-00	239-48685-00	239-48685-00	239-48685-00
	Blower Complete High Altitude	243-45986-00	239-48686-00	243-48686-00	243-48686-00
1A	Universal SVC Blower Kit	----	----	----	----
2	Air Mixing Inlet	239-45868-00	239-45868-00	239-45868-00	239-45868-00
3	Pressure Switch	239-45867-02	239-47815-03	239-47815-03	239-47815-03
	Pressure Switch High Altitude	239-45867-04	239-47815-04	239-47815-04	239-47815-04
4	Blower Temperature Switch	239-45865-00	239-45865-00	239-45865-00	239-45865-00
5	Blower Gasket	239-45866-00	239-45866-00	239-45866-00	239-45866-00
6	Blower Power Cord	239-45990-00	239-45990-00	239-45990-00	239-45990-00
7	2" Exhaust Adaptor w/Vent Terminal	----	239-46263-00	239-46263-00	239-46263-00
	3" Exhaust Adaptor w/Vent Terminal	239-46264-00	----	----	----
8	Condensate Hose Kit (Optional)	239-45875-00	239-45875-00	239-45875-00	239-45875-00
9	Heat Trap Insert (Outlet)	239-45167-00	239-45167-00	239-45167-00	239-45167-00
10	Hot Water Outlet Anode Magnesium ▲	224-47776-07	224-47776-17	224-47776-17	224-47776-17
	Hot Water Outlet Aluminum ▲ (Optional)	224-32999-06	224-32999-24	224-32999-24	224-32999-24
	Hot Water Outlet A420 Aluminum ▲ (Optional)	224-45147-01	224-45147-02	224-45147-02	224-45147-02
11	Flue Baffle	239-45373-00	243-48689-00	243-48689-00	243-48689-00
12	Heat Trap Insert (Inlet)	239-45073-00	239-45073-00	239-45073-00	239-45073-00
13	Cold Water Inlet Dip Tube Polypropylene ▲▲	229-45398-02	229-45398-09	229-45398-09	229-45398-09
	Cold Water Inlet Polysulfone (NC Code) ▲▲	229-45092-03	229-45092-06	229-45092-06	229-45092-06
14	Safety Circuit Wire Harness	239-45617-02	239-45613-02	239-45613-02	239-45613-02
15	T&P Relief Valve	230-40594-02	230-40594-02	230-40594-02	230-40594-02
16	Outer Door	243-43962-00	243-43962-00	243-43962-00	243-43962-00
17	Right Side Inner Door Complete	239-45642-20	239-43963-16	239-45642-18	239-45642-20
18	Screw-#8-18 x 3/4 HWH	239-44195-00	239-44195-00	239-44195-00	239-44195-00
19	Left Side Inner Door Complete	239-43968-18	239-43968-16	239-43968-18	239-43968-20
20	Screw-#10-12 x 3/4 HWH	239-44113-00	239-44113-00	239-44113-00	239-44113-00
21	Brass Drain Valve	265-42351-02	265-42351-02	265-42351-02	265-42351-02
22	Flammable Vapor Sensor Clip	239-45648-00	239-45648-00	239-45648-00	239-45648-00
23	Flammable Vapor Sensor	239-45560-00	239-45560-00	239-45560-00	239-45560-00
24	Flammable Vapor Sensor Harness	239-45620-00	239-45620-00	239-45620-00	239-45620-00
25	Thermowell	233-45651-02	233-45651-02	233-45651-02	233-45651-02

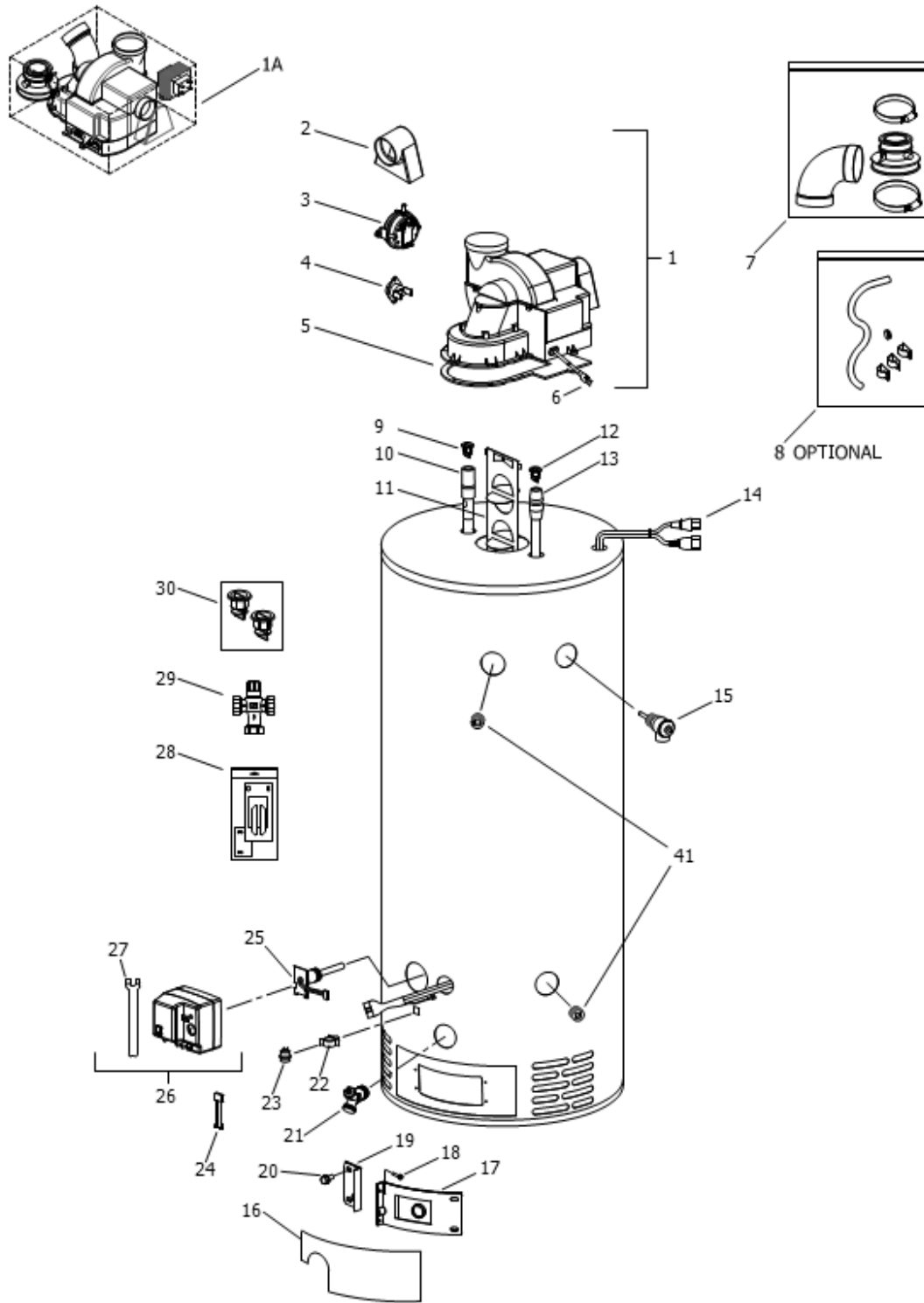
*Applies to all warranties

**Inner door gasket kit recommended

***Ordering a complete burner assembly may increase delivery time. Please order the specific component required for the quickest delivery.

▲ Order with item 9

▲▲ Order with item 12



LP GAS (SX) BURNER ASSEMBLY TO REPLACE LP GAS (CX) BURNER ASSEMBLY
ON ALL MODELS EXCEPT 75 & 100 GAL. MODELS

Item Description	Model	Model	Model	Model
	M2TW65T*F(BN,C,X,SX)	M4TW40T*F(BN,SX)	M4TW50T*F(BN,SX)	M4TW60T*F(BN,SX)
26 Gas Valve Natural Gas	239-45613-01	239-45613-01	239-45613-01	239-45613-01
Gas Valve LP Gas	239-45614-01	239-45614-01	239-45614-01	239-45614-01
27 Gas Valve Service Tool	239-45991-00	239-45991-00	239-45991-00	239-45991-00
28 Inner Door Gasket Kit	239-44078-00	239-44078-00	239-44078-00	239-44078-00
29 ASSE Approved Mixing Valve (Optional)	239-43740-01	239-43740-01	239-43740-01	239-43740-01
30 Kit-Heat Trap Insert	265-45419-00	265-45419-00	265-45419-00	265-45419-00
41 3/4" NPT Pipe Plug	239-11638-00	----	----	----

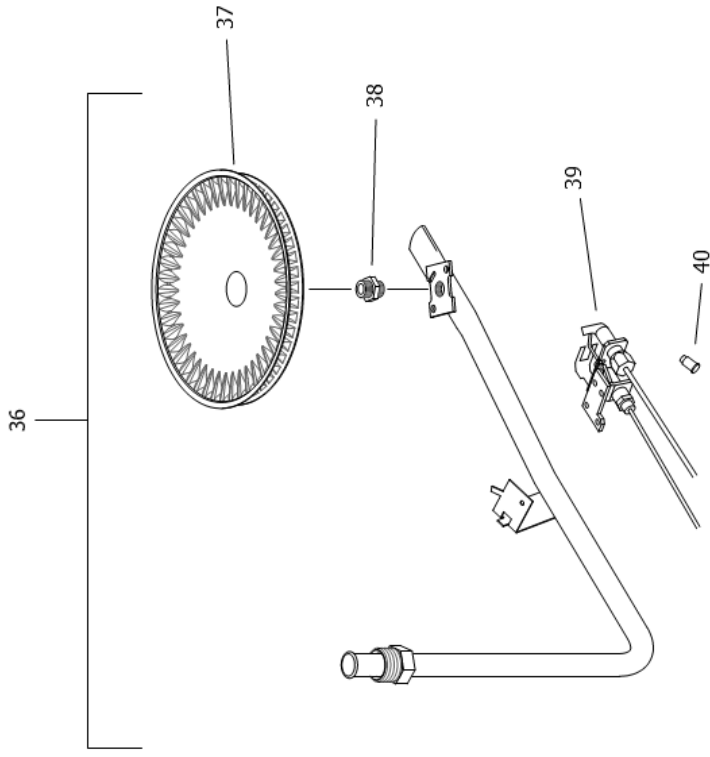
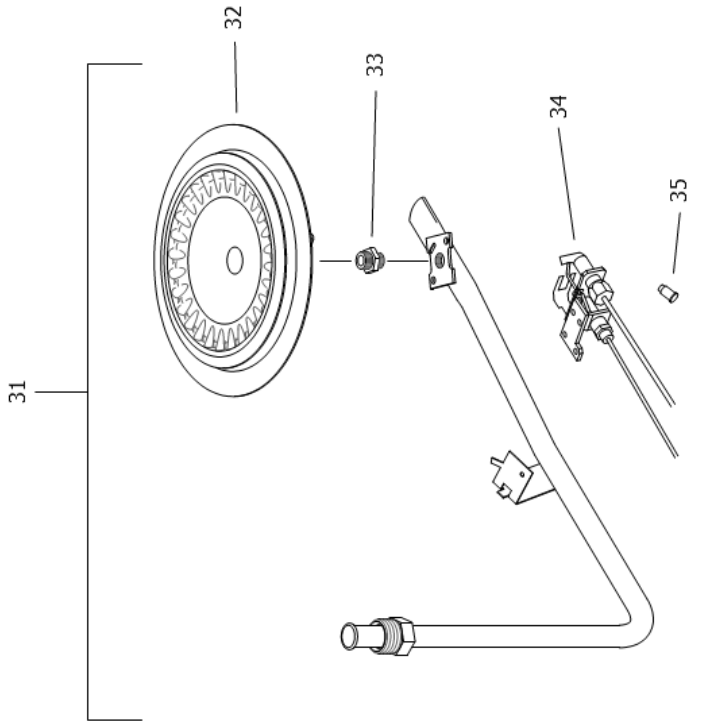
*Applies to all warranties

**Inner door gasket kit recommended

***Ordering a complete burner assembly may increase delivery time. Please order the specific component required for the quickest delivery.

▲ Order with item 9

▲▲ Order with item 12



NATURAL GAS (BN) BURNER ASSEMBLY

LP GAS (SX) BURNER ASSEMBLY

LP GAS (SX) BURNER ASSEMBLY TO REPLACE LP GAS (CX) BURNER ASSEMBLY
ON ALL MODELS EXCEPT 75 & 100 GAL. MODELS

Item	Description	Model	Model	Model	Model
		M2 TW65T*F(BN,CX,SX)	M4 TW40T*F(BN,SX)	M4 TW50T*F(BN,SX)	M4 TW60T*F(BN,SX)
Natural Gas (BN) Burner Assembly					
31	Nat Gas Burner Assembly Complete***	265-47439-09-26	265-47439-06-32	265-47439-09-32	265-47439-09-32
32	Nat. Gas (BN) Burner**	228-42506-00	228-42506-00	228-42506-00	228-42506-00
33	Nat. Gas (BN) Main Burner Orifice**	234-41034-26	234-41034-32	234-41034-32	234-41034-32
	Nat. Gas (BN) High Altitude 2001 Ft. to 5000 Ft.**	234-41034-29	234-41034-33	234-41034-33	234-41034-33
	Nat. Gas (BN) High Altitude 5001 Ft. to 8000 Ft.**	234-41034-30	234-41034-35	234-41034-35	234-41034-35
	Nat. Gas (BN) High Altitude Over 8000 Ft.**	234-41034-31	234-41034-38	234-41034-38	234-41034-38
34	Nat. Gas Pilot Assembly**	233-45653-05	233-45653-05	233-45653-05	233-45653-05
35	Nat. Gas Pilot Orifice**	234-45869-01	234-45869-01	234-45869-01	234-45869-01
LP Gas (SX) Titanium Stabilized Stainless Steel Burner Assembly (Replacement for LP Gas (CX) Cast Iron Burner)					
36	LP Gas Burner Assembly Complete***	265-47440-16-43	265-47440-09-50	265-47440-15-50	265-47440-15-50
37	LP Gas (SX) Burner**	228-47000-00	228-46964-00	228-46964-00	228-46964-00
38	LP Gas (SX) Main Burner Orifice**	234-47064-43	234-47064-50	234-47064-50	234-47064-50
	LP Gas (SX) High Altitude 2001 Ft. to 5000 Ft.**	234-47064-44	234-47064-51	234-47064-51	234-47064-51
	LP Gas (SX) High Altitude 5001 Ft. to 8000 Ft.**	234-47064-47	234-47064-52	234-47064-52	234-47064-52
	LP Gas (SX) High Altitude Over 8000 Ft.**	234-47064-48	234-47064-53	234-47064-53	234-47064-53
39	LP Gas Pilot Assembly**	233-45653-04	233-45653-04	233-45653-04	233-45653-04
40	LP Gas Pilot Orifice**	233-45869-02	234-45869-02	234-45869-02	234-45869-02
-	LP to Natural Gas Conversion Kit (Norm Alt.)	265-46493-17	265-46493-02	265-46493-06	265-46493-09
-	LP to Natural Gas Conversion Kit (High Alt.)	265-46493-16	265-46493-04	265-46493-08	265-46493-08

Applies to all warranties
 **Inner door gasket kit recommended
 ***Ordering a complete burner assembly may increase delivery time. Please order the specific component required for the quickest delivery.
 ▲ Order with item 9
 ▲▲ Order with item 12



BRADFORD WHITE®

W A T E R H E A T E R S

Ambler, PA

For U.S. and Canada field service,
contact your professional installer or
local Bradford White sales representative.

Sales/800-523-2931
Fax/215-641-1670
Parts Fax/215-641-2180

Technical Support/800-334-3393
Fax/269-795-1089

Warranty/800-531-2111
Fax/269-795-1089

International:
Telephone/215-641-9400
Telefax/215-641-9750



BRADFORD WHITE-CANADA® INC.

Mississauga, ON

Sales/866-690-0961
905-238-0100

Fax/905-238-0105

Technical Support/800-334-3393

Email

parts@bradfordwhite.com
techserv@bradfordwhite.com

www.bradfordwhite.com