



**BRADFORD WHITE**<sup>®</sup>  
C O R P O R A T I O N

**RESIDENTIAL GAS REPLACEMENT PARTS LIST**  
**Energy Saver Direct Fired (M2) Models**



**CombiCor**<sup>®</sup>  
Atmospheric

**Includes Hydrojet<sup>®</sup> Total  
Performance System**

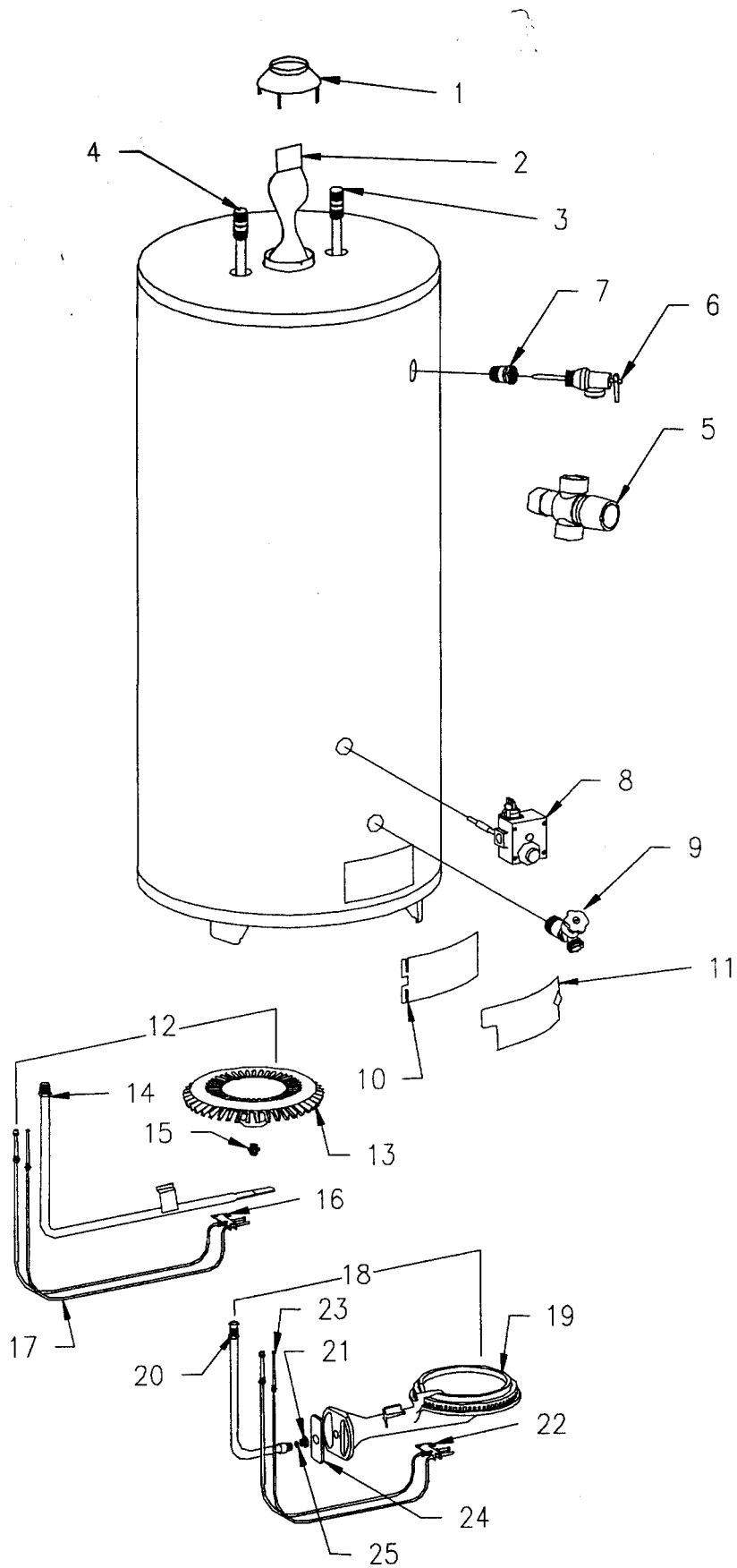
**Dash Twelve  
(-12) Series**

***Effective: November 1, 2000***

**BOTH MODEL AND  
SERIAL NUMBER ARE  
REQUIRED FOR ORDERING  
REPLACEMENT PARTS**

Dimensions and specifications subject  
to change without notice.

**Parts Book #42502A**



## Basic Parts Description

### Reference Number and Description

<b>1</b>	Draft Hood
<b>2</b>	Flue Baffle
<b>3</b>	Cold Water Inlet (Hydrojet) Assembly
<b>4</b>	Hot Water Outlet/Anode Assembly
<b>5</b>	Anti-Scald Valve
<b>6</b>	T&P Relief Valve
<b>7</b>	T&P Relief Valve Extender
<b>8</b>	Thermostat
<b>9</b>	Drain Valve
<b>10</b>	Inner Door
<b>11</b>	Outer Door
<b>12</b>	EN Burner Assembly
<b>18</b>	CN Burner Assembly

If your model number is found below, please contact manufacturer for service parts.

M-2-C504T10CN-10, M-2-C504T10CX-10, M-2-C75T10CX-10, M-2-C75T10CN-10, M-2-C504T10EN-10

### Parts Common to M2-C (CX) Models

Reference Number and Description	Part Number
<b>4</b> Hot Water Outlet/Magnesium Anode Assembly	224-32731-86
<b>5</b> Anti-Scald Valve	239-39908-02
<b>6</b> T&P Relief Valve	230-32920-01
<b>7</b> T&P Relief Valve Extender	229-19100-00
<b>8</b> Thermostat Robertshaw (R110RLPTS8P)	222-41808-03
<b>9</b> Drain Valve Brass	227-40995-02
<b>19</b> CX Burner	228-14173-00
<b>24</b> Air Shutter	239-35466-00
<b>25</b> Spring Washer Crescent	239-40729-00

### Optional Parts Reference Number and Description

<b>4</b> Hot Water Outlet / Aluminum Anode Assembly	224-32999-21
<b>4</b> Hot Water Outlet / Aluminum Anode Assembly (Heat Trap)	224-38437-01

### Parts Unique to M2-C-75T10CX-12

Reference Number and Description	Part Number
<b>1</b> Draft Hood	243-41439-00
<b>3</b> Cold Water Inlet (Hydrojet) Assembly	229-39625-15
<b>10</b> Inner Door	243-39207-00
<b>11</b> Outer Door	243-37177-00
<b>18</b> Assembly CX Burner	243-41876-22
<b>20</b> Assembly LP Gas Feedline	233-41818-07
<b>21</b> LP Gas Orifice #38	234-35928-38
<b>22</b> Assembly LP Pilot/Therm	233-41802-03
<b>23</b> Thermocouple	233-33043-20

### Optional Parts Reference Number and Description

<b>3</b> Cold Water Inlet (Hydrojet) Assembly (PSDTA)	229-39628-15
<b>21</b> High Altitude Orifice 2000 Ft. to 5000 Ft.	234-35928-42
<b>21</b> High Altitude Orifice 5000 Ft. to 8000 Ft.	234-35928-43
<b>21</b> High Altitude Orifice 8000 Ft. and Above	234-35928-43

### Parts Unique to M2-C-504T10CX-12

Reference Number and Description	Part Number
<b>1</b> 4" Draft Diverter	239-12950-00
<b>2</b> Assembly Baffle	243-41037-00
<b>3</b> Cold Water Inlet (Hydrojet) Assembly	229-39625-19
<b>10</b> Inner Door	243-36739-02
<b>11</b> Outer Door	243-41061-00
<b>18</b> Assembly CX Burner	243-41876-09
<b>20</b> Assembly LP Gas Feedline	233-41818-03
<b>21</b> LP Gas Orifice #43	234-35928-43
<b>22</b> Assembly LP Pilot/Therm	233-41802-02
<b>23</b> Thermocouple	233-33043-18

### Optional Parts Reference Number and Description

<b>3</b> Cold Water Inlet (Hydrojet) Assembly (PSDTA)	229-39628-19
<b>3</b> Cold Water Inlet (Hydrojet) Assembly (Heat Trap) (PSDTA)	229-39629-16
<b>21</b> High Altitude Orifice 2000 Ft. to 5000 Ft.	234-35928-46
<b>21</b> High Altitude Orifice 5000 Ft. to 8000 Ft.	234-35928-47
<b>21</b> High Altitude Orifice 8000 Ft. and Above	234-35928-47

## Parts Unique to M2-C-75T10CN-12

Reference Number and Description	Part Number
<b>1</b> Draft Diverter	243-41439-00
<b>3</b> Cold Water Inlet (Hydrojet) Assembly	229-39625-15
<b>4</b> Hot Water Outlet/Magnesium Anode Assembly	224-32731-86
<b>5</b> Anti-Scald Valve	239-39908-02
<b>6</b> T&P Relief Valve	230-32920-01
<b>7</b> T&P Relief Valve Extender	229-19100-00
<b>8</b> Thermostat Robertshaw (R110RTS8P)	222-41806-02
<b>9</b> Drain Valve Brass	227-40995-02
<b>10</b> Inner Door	243-39207-00
<b>11</b> Outer Door	243-37177-00
<b>18</b> Assembly CN Burner	243-41870-17
<b>19</b> CN Burner	228-14173-00
<b>20</b> Assembly Nat. Gas Feedline	243-41817-07
<b>21</b> Nat. Gas Orifice #22	233-18194-22
<b>22</b> Assembly Nat. Pilot/Therm	233-41801-05
<b>23</b> Thermocouple	233-33043-20
<b>24</b> Air Shutter	239-35466-00
<b>25</b> Spring Washer Crescent	239-40729-00

## Optional Parts Reference Number and Description

<b>3</b> Cold Water Inlet (Hydrojet) Assembly (PSDTA)	229-39628-15
<b>4</b> Hot Water Outlet / Aluminum Anode Assembly	224-32999-21
<b>4</b> Hot Water Outlet / Aluminum Anode Assembly (Heat Trap)	224-38437-01
<b>21</b> High Altitude Orifice 2000 Ft. to 5000 Ft.	234-18194-25
<b>21</b> High Altitude Orifice 5000 Ft. to 8000 Ft.	234-18194-29
<b>21</b> High Altitude Orifice 8000 Ft. and Above	234-18194-29

## Parts Unique to M2-C-504T10EN-12

Reference Number and Description	Part Number
<b>1</b> 4" Draft Diverter	239-12950-00
<b>2</b> Assembly Baffle	243-41037-00
<b>3</b> Cold Water Inlet (Hydrojet) Assembly	229-39625-19
<b>4</b> Hot Water Outlet/Magnesium Anode Assembly	224-32731-86
<b>5</b> Anti-Scald Valve	239-39908-02
<b>6</b> T&P Relief Valve	230-32920-01
<b>7</b> T&P Relief Valve Extender	229-19100-00
<b>8</b> Thermostat Robertshaw (R110RTS8P)	222-41806-02
<b>9</b> Drain Valve Brass	227-40995-02
<b>10</b> Inner Door	243-36739-02
<b>11</b> Outer Door	243-41061-00
<b>12</b> Assembly EN Burner	243-41868-10
<b>13</b> EN Burner	228-41192-00
<b>14</b> Assembly Nat. Gas Feedline	233-41816-04
<b>15</b> Nat. Gas Orifice #27	234-41034-27
<b>16</b> Assembly Nat. Pilot/Therm	233-41801-04

## Optional Parts Reference Number and Description

<b>3</b> Cold Water Inlet (Hydrojet) Assembly (PSDTA)	229-39628-19
<b>3</b> Cold Water Inlet (Hydrojet) Assembly (Heat Trap) (PSDTA)	229-39629-16
<b>4</b> Hot Water Outlet / Aluminum Anode Assembly	224-32999-21
<b>4</b> Hot Water Outlet / Aluminum Anode Assembly (Heat Trap)	224-38437-01
<b>21</b> High Altitude Orifice 2000 Ft. to 5000 Ft.	234-41034-29
<b>21</b> High Altitude Orifice 5000 Ft. to 8000 Ft.	234-41034-30
<b>21</b> High Altitude Orifice 8000 Ft. and Above	234-41034-30





# **BRADFORD WHITE®**

C O R P O R A T I O N

200 Lafayette Street  
Middleville, Michigan 49333

**Sales/800-538-2020**  
**800-532-4020**  
***Fax/215-641-1670***

**Service/800-334-3393**  
***Fax/616-795-1089***

**Warranty/800-531-2111**  
***Fax/616-795-1089***

**International:**  
**Telephone/215-641-9400**  
***Telefax/215-641-9750***

**In Canada:**  
**Sales/800-523-2931**  
***Fax/215-641-9750***  
**Service/800-334-3393**  
***Fax/616-795-1089***

**Fax on Demand:**  
**888-538-7833**

**[www.bradfordwhite.com](http://www.bradfordwhite.com)**