



ELECTRIC REPLACEMENT PARTS LIST
Residential Energy Saver (M1,2)
Wall Hung Models
Commercial Energy Saver (LD)
Wall Hung Models

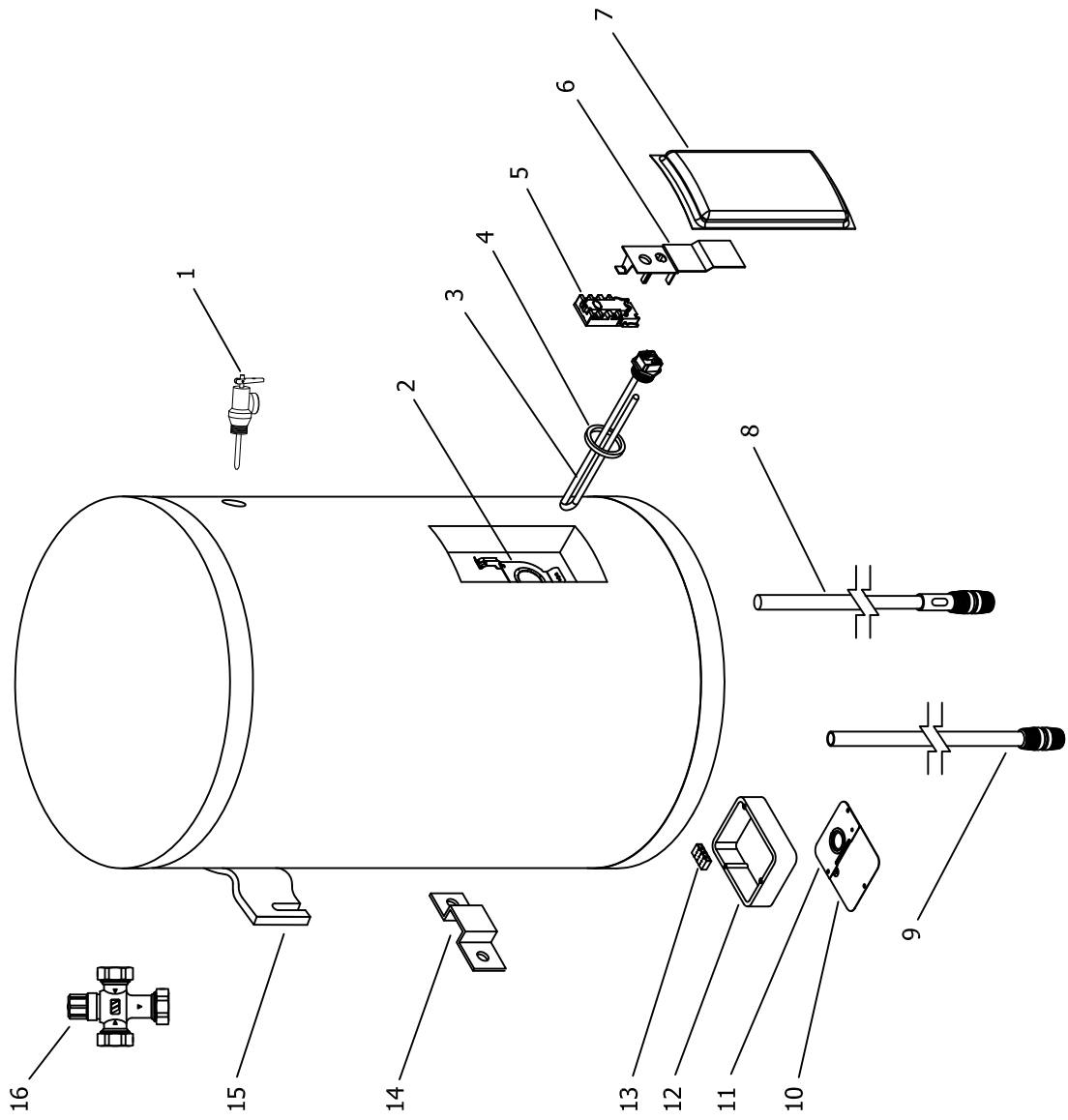


Effective: June 2011
ECO 7576

**NOTE: BOTH MODEL AND SERIAL
NUMBERS ARE REQUIRED FOR
ORDERING REPLACEMENT PARTS**

Dimensions and specifications
subject to change without notice.

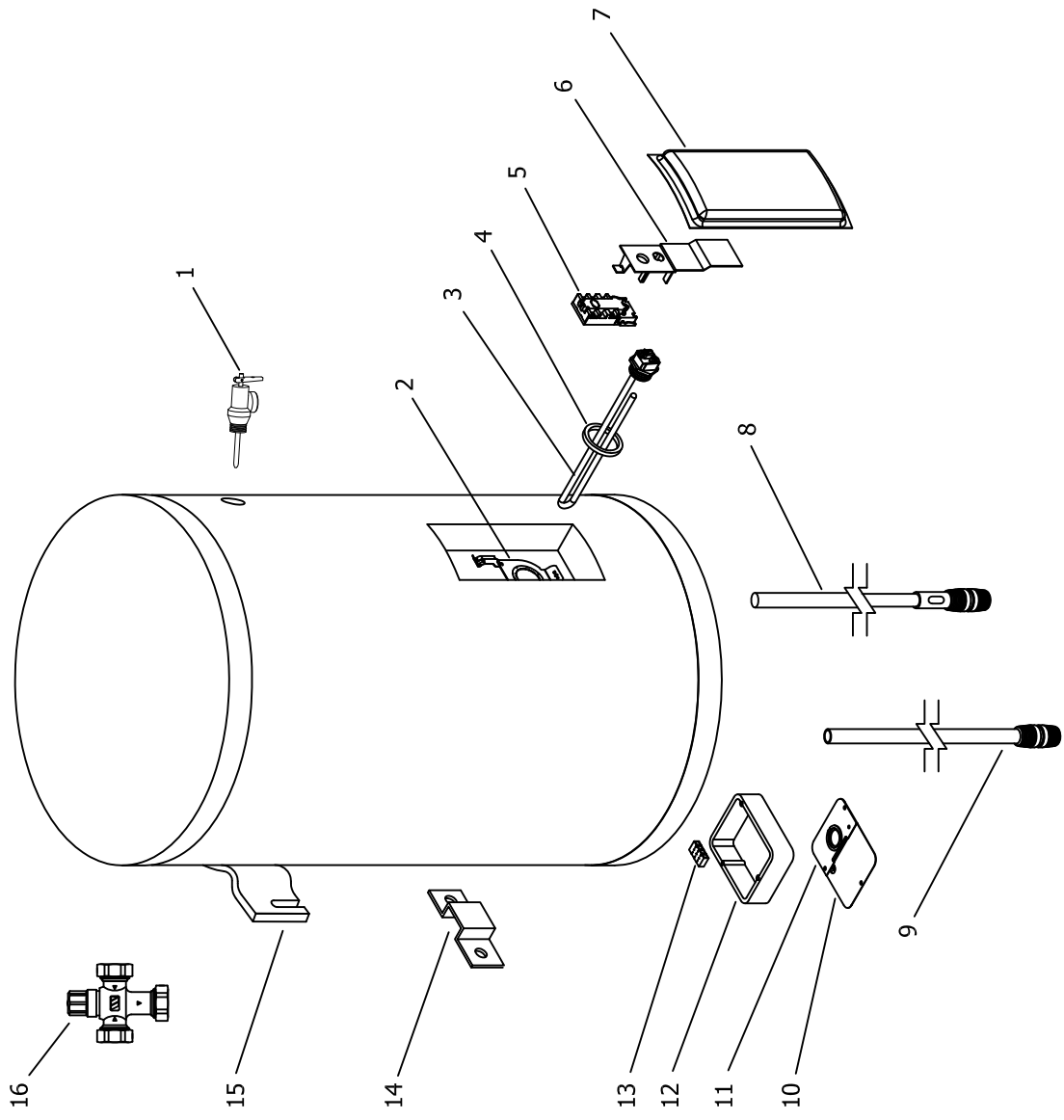
(M-1-WH6U6SS Model Shown)



| Item | Description | Model M1WH6U*SS | Model M1WH12U*SS | Model M1WH20L*SS | Model M2WH30L*SS |
|------|--|--------------------|---------------------|---------------------|---------------------|
| 1 | T & P Relief Valve | 265-32920-01 | 265-32920-01 | 265-32920-01 | 230-40594-02 |
| 2 | Thermostat Bracket | 239-44479-00 | 239-44479-00 | 239-44479-00 | 239-44479-00 |
| 3 | Heating Element 1500W, 120V Copper** | 265-42540-02 | 265-42540-02 | 265-42540-02 | 265-42540-02 |
| 4 | Element Gasket | 223-34019-00 | 223-34019-00 | 223-34019-00 | 223-34019-00 |
| 5 | Thermostat | 219-40360-00 | 219-40360-00 | 219-40360-00 | 219-40360-00 |
| 6 | Thermostat Cover | 223-40399-00 | 223-40399-00 | 223-40399-00 | 223-40399-00 |
| 7 | Access Cover | 243-36618-02 | 243-36618-02 | 243-36618-02 | 243-36618-02 |
| 8 | Cold Water Inlet Anode Without Heat Trap (Magnesium) | 224-47776-01 | 224-47776-01 | 224-47776-01 | 224-47776-03 |
| | Cold Water Inlet Anode Without Heat Trap (Aluminum) | 224-32999-18 | 224-32999-18 | 224-32999-23 | 224-32999-23 |
| 9 | Hot Water Outlet Tube Without Heat Trap (PPTA) | 229-32730-65 | 229-32730-65 | 229-32730-66 | 229-32730-20 |
| | Hot Water Outlet Tube Without Heat Trap (PSTA) (NC Code) | 229-34189-44 | 229-34189-44 | 229-34189-45 | 229-34189-12 |
| 10 | Cover Electric Outlet | 243-39452-00 | 243-39452-00 | 243-39452-00 | 243-39452-00 |
| 11 | Conduit Electric Outlet | 243-39451-00 | 243-39451-00 | 243-39451-00 | 243-39451-00 |
| 12 | Junction Box Extender | --- | --- | --- | --- |
| 13 | Terminal Block - 4 Pole | --- | --- | --- | --- |
| 14 | Bumper-Wall Mount | 243-40079-00 | 243-40079-00 | 243-40079-00 | 243-40079-00 |
| 15 | Wall Mounting Bracket-Outer | 239-40066-00 | 239-40066-00 | 239-40066-00 | 239-40066-00 |
| 16 | ASSE Approved Mixing Valve | 239-43740-01 | 239-43740-01 | 239-43740-01 | 239-43740-01 |

*Applies to all warranties

** For incoloy elements or other wattages/voltages, consult Residential Heating Element Replacement Parts List.



| Item | Description | Model LDWH6U* | Model LDWH12U* | Model LDWH20L* | Model LDWH30L* |
|------|--|------------------|-------------------|-------------------|-------------------|
| 1 | T & P Relief Valve | 230-40594-01 | 230-40594-01 | 230-40594-01 | 230-40594-02 |
| 2 | Thermostat Bracket | 239-44479-00 | 239-44479-00 | 239-44479-00 | 239-44479-00 |
| 3 | Heating Element 1500W, 120V Copper** | 265-42540-02 | 265-42540-02 | 265-42540-02 | 265-42540-02 |
| 4 | Element Gasket | 223-34019-00 | 223-34019-00 | 223-34019-00 | 223-34019-00 |
| 5 | Thermostat | 265-40694-00 | 265-40694-00 | 265-40694-00 | 265-40694-00 |
| 6 | Thermostat Cover | 223-40399-00 | 223-40399-00 | 223-40399-00 | 223-40399-00 |
| 7 | Access Cover | 243-36618-02 | 243-36618-02 | 243-36618-02 | 243-36618-02 |
| 8 | Cold Water Inlet Anode Without Heat Trap (Magnesium) | 224-47776-01 | 224-47776-01 | 224-47776-02 | 224-47776-03 |
| 9 | Cold Water Inlet Anode Without Heat Trap (Aluminum) | 224-32999-18 | 224-32999-18 | 224-32999-23 | 224-32999-23 |
| | Hot Water Outlet Tube Without Heat Trap (PPTA) | 229-32730-65 | 229-32730-65 | 229-32730-66 | 229-32730-20 |
| | Hot Water Outlet Tube Without Heat Trap (PSTA) (NC Code) | 229-40438-02 | 229-34189-44 | 229-34189-45 | 229-34189-12 |
| 10 | Cover Electric Outlet | 243-39452-00 | 243-39452-00 | 243-39452-00 | 243-39452-00 |
| 11 | Conduit Electric Outlet | 243-39451-00 | 243-39451-00 | 243-39451-00 | 243-39451-00 |
| 12 | Junction Box Extender | 239-40587-00 | 239-40587-00 | 239-40587-00 | 239-40587-00 |
| 13 | Terminal Block - 4 Pole | 239-47294-00 | 239-47294-01 | 239-47294-02 | 239-47294-03 |
| 14 | Bumper-Wall Mount | 243-40079-00 | 243-40079-00 | 243-40079-00 | 243-40079-00 |
| 15 | Wall Mounting Bracket-Outer | 239-40066-00 | 239-40066-00 | 239-40066-00 | 239-40066-00 |
| 16 | ASSE Approved Mixing Valve | 239-43740-01 | 239-43740-01 | 239-43740-01 | 239-43740-01 |

* Applies to all warranties

** For incoloy elements or other wattages/voltages, consult Residential Heating Element Replacement Parts List.



BRADFORD WHITE®

W A T E R H E A T E R S

Ambler, PA

For U.S. and Canada field service,
contact your professional installer or
local Bradford White sales representative.

Sales/800-523-2931
Fax/215-641-1670
Parts Fax/215-641-2180

Technical Support/800-334-3393
Fax/269-795-1089

Warranty/800-531-2111
Fax/269-795-1089

International:
Telephone/215-641-9400
Telefax/215-641-9750



BRADFORD WHITE-CANADA® INC.

Mississauga, ON

Sales/866-690-0961
905-238-0100

Fax/905-238-0105

Technical Support/800-334-3393

Email

parts@bradfordwhite.com
techserv@bradfordwhite.com

www.bradfordwhite.com