



RESIDENTIAL ELECTRIC REPLACEMENT PARTS LIST

Energy Saver (M1,2) Utility Models



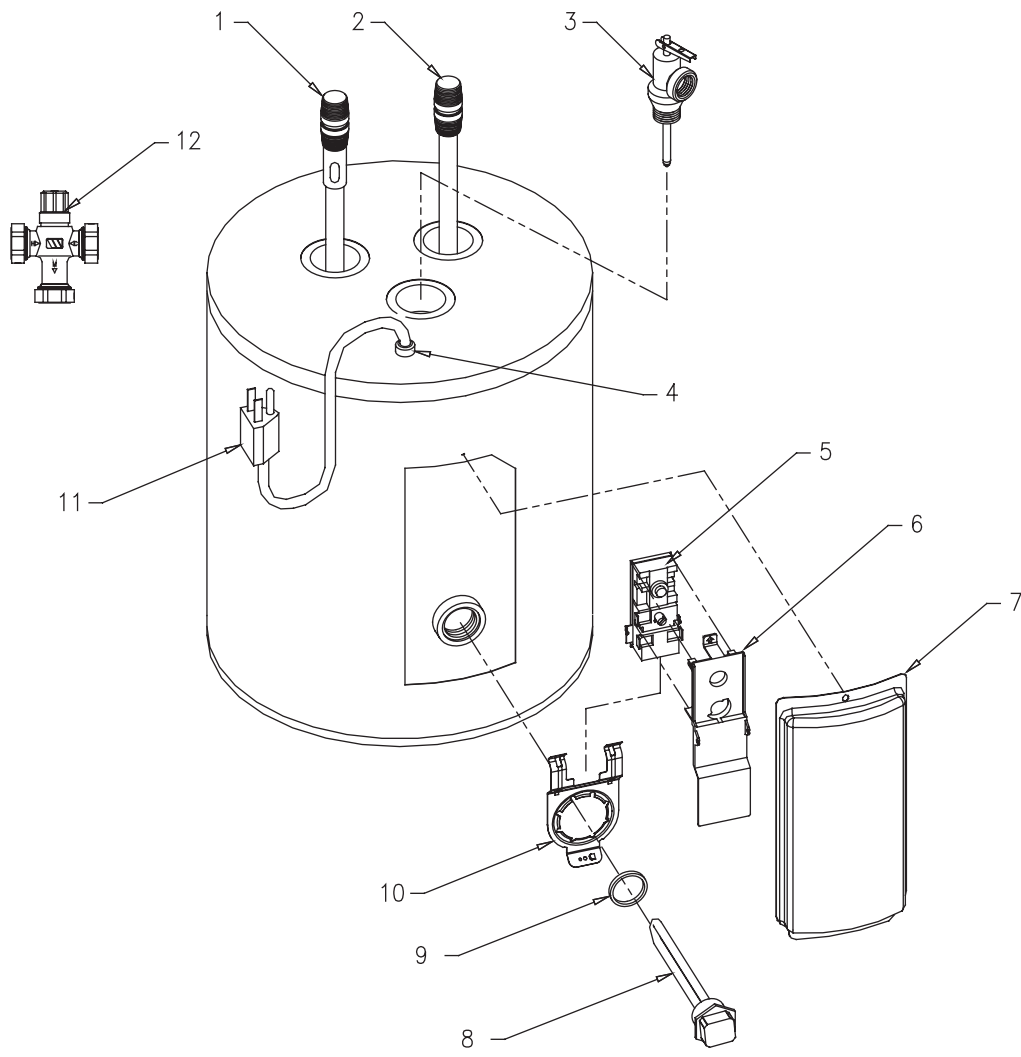
Dash Two (-2) Series

Effective: February 2, 2004

ECO 6831

**NOTE: BOTH MODEL AND
SERIAL NUMBER ARE
REQUIRED FOR ORDERING
REPLACEMENT PARTS**

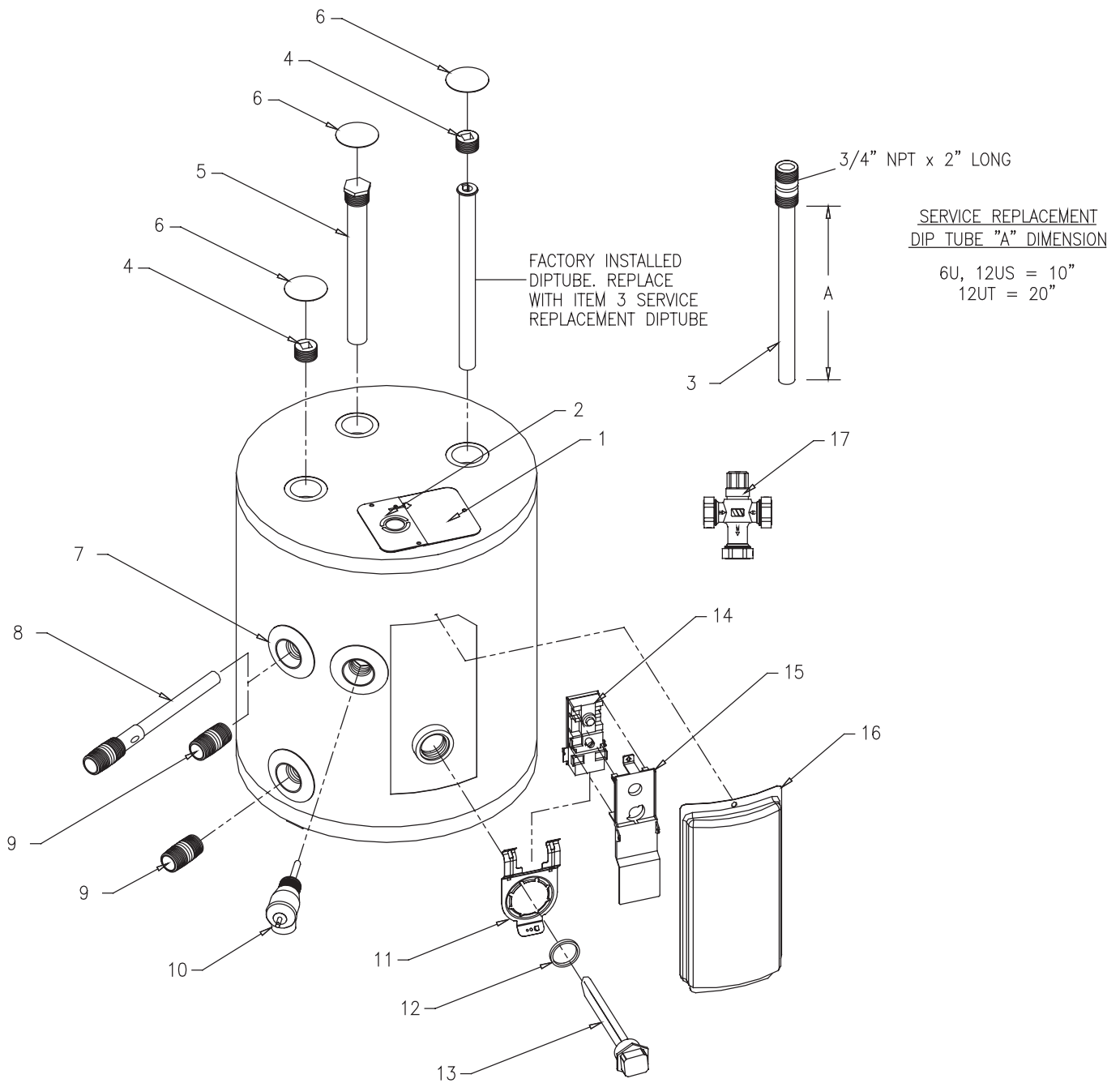
Dimensions and specifications subject
to change without notice.



M1-2U*SS-2

Reference Number & Description

- 1 Hot Water Outlet/Anode
- 2 Cold Water Inlet Dip Tube
- 3 T&P Relief Valve
- 4 Strain Relief Bushing
- 5 Thermostat
- 6 Thermostat Cover
- 7 Access Cover
- 8 Heating Element
- 9 Element Gasket
- 10 Thermostat Bracket
- 11 Power Cord
- 12 ASSE Approved Mixing Valve



M1(6U, 12U, 12UT, 20U)*SS-2 M230U*SS-2

Reference Number & Description

- 1 Junction Box Cover
- 2 Bracket-Grounding /Conduit
- 3 Service Replacement Dip Tube
- 4 Pipe Plug 3/4 NPT
- 5 Anode Rod Hex Head
- 6 Plastic Hole Closure
- 7 Escutcheon
- 8 Hot Water Outlet/Anode
- 9 Inlet/Outlet Nipple
- 10 T&P Relief Valve
- 11 Thermostat Bracket
- 12 Element Gasket
- 13 Heating Element
- 14 Thermostat
- 15 Thermostat Cover
- 16 Hand Hole Cover
- 17 ASSE Approved Mixing Valve

Parts Common To M1-2U*SS-2

Reference Number and Description	Part Number
1 Hot Water Outlet Anode (Magnesium)	224-32731-78
2 Cold Water Inlet Dip Tube (PPDTA)	229-32730-53
3 T&P Relief Valve	265-32920-01
4 Strain Relief Bushing	239-38850-00
5 Thermostat	265-40360-00
6 Thermostat Cover	223-40399-00
7 Access Cover	239-44929-00
8 Heating Element	265-42540-02
9 Element Gasket	223-34019-00
10 Thermostat Bracket	239-44479-00
11 Power Cord	239-38846-00

Optional Parts Reference Number and Description

1 Hot Water Outlet/Anode (Aluminum)	224-32999-18
2 Cold Water Inlet Dip Tube (PSDTA) (NC Code)	229-34189-35
12 ASSE Approved Mixing Valve	239-43740-01

Parts Common To M1(6U, 12U, 12UT, 20U)*SS-2

Reference Number and Description	Part Number
1 Junction box Cover	243-39452-00
2 Bracket-Grounding/Conduit	243-39451-00
7 Escutcheon	239-41336-00
9 Inlet/Outlet Nipple	229-32762-02
10 T&P Relief Valve	265-32920-01
11 Thermostat Bracket	239-44479-00
12 Element Gasket	223-34019-00
13 Heating Element 1500W, 120V Copper**	265-42540-02
14 Thermostat	265-40286-00
15 Thermostat Cover	223-40397-00
16 Hand Hole Cover	243-36618-02

Parts Unique To M1(6U, 12U)*SS-2

Reference Number and Description	Part Number
3 Service Replacement Dip Tube (polypropylene)	243-44520-01
3 Service Replacement Dip Tube (polysulfone) (NC Code)	243-44521-01
4 Pipe Plug 3/4 NPT	239-11638-00
5 Anode Rod Hex Head (Magnesium)	224-32758-37
6 Hole Closure	239-31547-02

Parts Unique To M112UT*SS-2

Reference Number and Description	Part Number
3 Service Replacement Dip Tube (polypropylene)	243-44520-02
3 Service Replacement Dip Tube (polysulfone) (NC Code)	243-44521-02
4 Pipe Plug 3/4 NPT	239-11638-00
5 Anode Rod Hex Head (Magnesium)	224-32758-25
6 Hole Closure	239-31547-02

Parts Unique To M120U*SS-2

Reference Number and Description	Part Number
8 Hot Water outlet Anode (Magnesium)	224-32731-79

Optional Parts Reference Number and Description

5 Anode Rod Hex Head (Aluminum) (6U & 12U Models)	224-38508-08
5 Anode Rod Hex Head (Aluminum) (12UT Models)	224-38508-09
8 Hot Water outlet Anode (Aluminum) (20U)	224-32999-23
13 Heating Element 1500W, 120V Incoloy**	265-42541-01
17 ASSE Approved Mixing Valve	239-43740-01

* Applies to all warranties

** For other wattages/voltages, consult Residential Heating Element Replacement Parts List.

Parts Common To M230U*SS-2

Reference Number and Description		Part Number
1	Junction box Cover	243-39452-00
2	Bracket-Grounding/Conduit	243-39451-00
5	Anode Rod Hex Head Magnesium	224-32758-25
6	Hole Closure	239-31547-02
7	Escutcheon	239-41337-00
9	Inlet/Outlet Nipple	229-32762-03
10	T&P Relief Valve	265-40594-02
11	Thermostat Bracket	239-44479-00
12	Element Gasket	223-34019-00
13	Heating Element 1500W, 120V Copper**	265-42540-02
14	Thermostat	265-40286-00
15	Thermostat Cover	223-40397-00
16	Hand Hole Cover	243-36618-02

Optional Parts Reference Number and Description

5	Anode Rod (Aluminum)	224-38508-09
13	Heating Element 1500W, 120V Incoloy**	265-42541-01
17	ASSE Approved Mixing Valve	239-43740-01

* Applies to all warranties

** For other wattages/voltages, consult Residential Heating Element Replacement Parts List.



BRADFORD WHITE[®]
C O R P O R A T I O N
Ambler, PA

For U.S. and Canada field service,
contact your professional installer or
local Bradford White sales representative.

Sales/800-523-2931
Fax/215-641-1670

Technical Support/800-334-3393
Fax/269-795-1089

Warranty/800-531-2111
Fax/269-795-1089

International:
Telephone/215-641-9400
Telefax/215-641-9750

Fax on Demand:
888-538-7833



BRADFORD WHITE-CANADA[™] **INC.**
Mississauga, ON

Sales/Technical Support
866-690-0961
905-238-0100
Fax/905-238-0105

Email
parts@bradfordwhite.com
techserv@bradfordwhite.com

www.bradfordwhite.com
www.bradfordwhitecanada.com