



# **BRADFORD WHITE®**

C O R P O R A T I O N

## **COMMERCIAL GAS REPLACEMENT PARTS LIST**

### **Ultra High Efficiency (eF) Series 60 and 100 Gallon Models**

**Includes Hydrojet® Total  
Performance System**



Including:

- 100 Gallon Top Water Connections
- 100 Gallon Side Water Connections (-2 series)
- 60 Gallon Side Water Connections (-2 series)

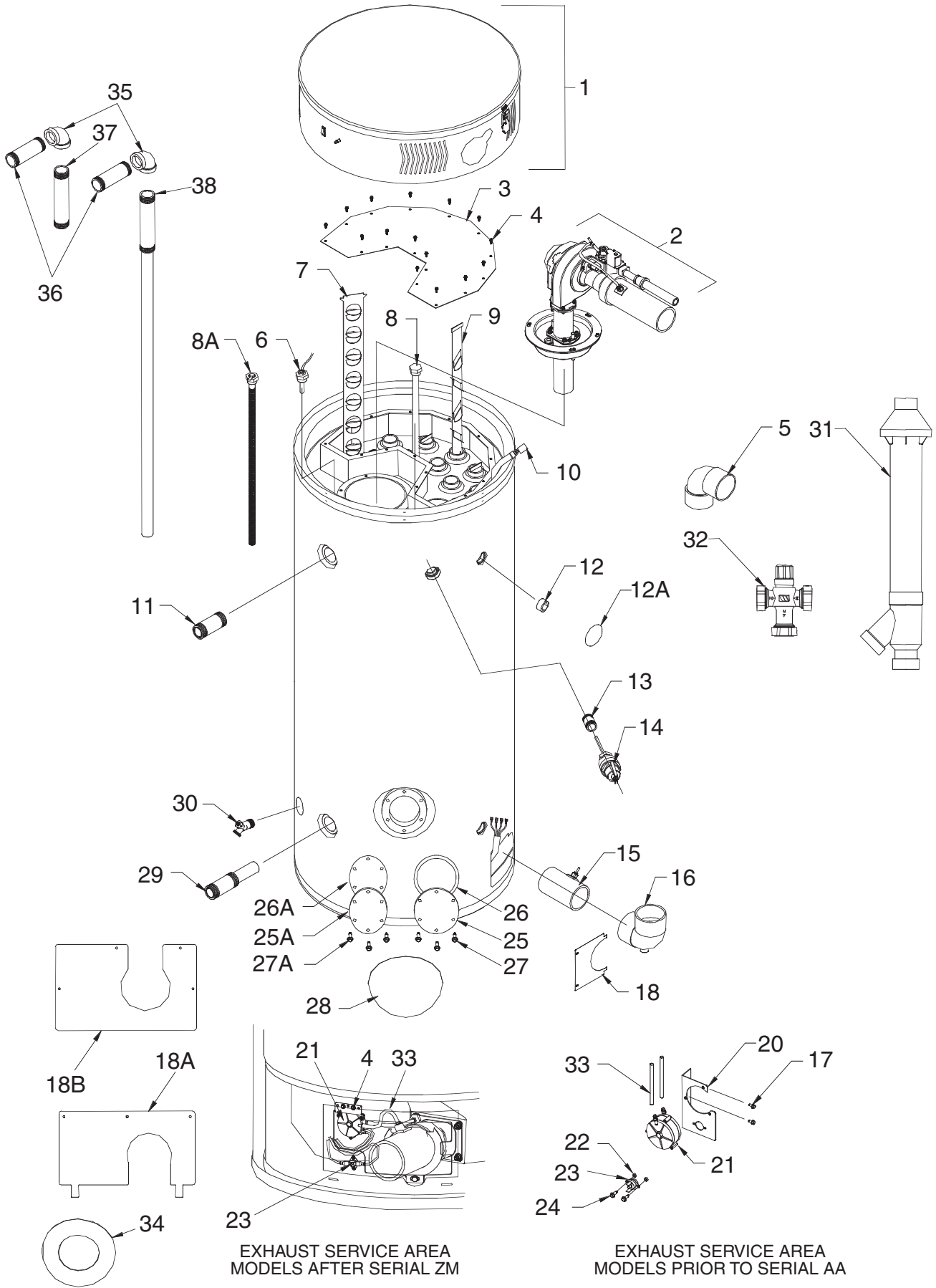
***Effective: December, 2006  
ECO 7157-1***

**NOTE: BOTH MODEL AND SERIAL  
NUMBERS ARE REQUIRED FOR  
ORDERING REPLACEMENT  
PARTS**

Dimensions and specification subject to  
change without notice.

Parts Book #44485D

  
**BRADFORD WHITE®**  
CORPORATION



## Parts Common To EF60T(125,150,199)(E)\*(N,X)(A)2 Models

| Reference Number and Description                       | Part Number  |
|--|--------------|
| 1 Combustion Surround Assembly                         | See Page 8   |
| 2 Combustion System Assembly                           | See Page 9   |
| 3 Collector Cover Second Pass                          | 239-43454-00 |
| 4 Screw-Second Pass Collector Cover                    | 239-44444-00 |
| 5 Elbow-Vent Terminal (2 Req'd)                        | 239-40579-00 |
| 6 Temperature sensor                                   | 239-82034-00 |
| 7 Baffle 4" Flue (2 Req'd)                             | 243-43304-00 |
| 8 Anode Rod (magnesium) (4 Req'd)                      | 224-32758-24 |
| 9 Baffle 2" Flue (8 Req'd)                             | 239-45659-00 |
| 10 Wire Harness-Service Panel                          | 239-43358-02 |
| 11 Nipple Hot Water Outlet Plastisert (front connect)  | 229-40913-07 |
| 12 Pipe Plug 1" NPT                                    | 239-02048-00 |
| 12A Hole Closure                                       | 239-31547-02 |
| 13 Nipple Plastisert 3/4" NPT x 2"                     | 229-32762-02 |
| 14 T&P Relief Valve                                    | 230-30246-00 |
| 15 Exhaust Pipe (PVC) with Hose Barb                   | 239-45971-00 |
| 16 Condensate Elbow                                    | 239-43211-00 |
| 17 Screw Service Panel (serial prior to AA)            | 239-42637-00 |
| 18 Outer Door Service Panel (serial prior to AA)       | 243-43278-00 |
| 18A Outer Door EF series (serial after ZM)             | 243-44668-00 |
| 20 Service Panel Bracket (serial prior to AA)          | See Note     |
| 22 Keps Nut  | 239-81844-00 |
| 23 Resettable Limit Switch                             | 239-43238-02 |
| 24 Screw 6-32 x 3/8                                    | 239-81843-00 |
| 25 Cleanout Cover                                      | 205-18428-00 |
| 26 Cleanout Gasket                                     | 205-18427-00 |
| 27 Screw 5/16 - 18 x 1/2                               | 239-82166-00 |
| 25A Cleanout Cover (ASME)                              | 205-32941-00 |
| 26A Cleanout Gasket (ASME)                             | 205-32942-00 |
| 27A Screw 5/16 - 18 x 1/2 (ASME)                       | 239-32970-00 |
| 28 Clean Out Access Cover                              | 243-20299-00 |
| 29 Inlet tube Hydrojet (front connect)                 | 229-44375-00 |
| 30 Drain Valve Brass (no handle)                       | 227-42351-01 |
| 33 Silicone Tubing 3/16" I.D.                          | 239-41718-00 |
| 34 Exhaust Escutcheon                                  | 239-43997-00 |
| <b>Optional Parts Reference Number and Description</b> |              |
| 8 Anode Rod (Aluminium) (4 Req'd)                      | 224-38508-06 |
| 31 Coaxial Vent Terminal Horz./Vert. 3"                | 239-44069-01 |
| 32 ASSE Approved Mixing Valve                          | 239-43740-02 |

\* Applies to all warranties

Note: Service panel bracket no longer available. Replace with external pressure switch kit for serials prior to AA (Item 21).

## Parts Unique To EF60T125(E)\*(N,X)(A)2 Models

| Reference Number and Description                  | Part Number  |
|---|--------------|
| <b>21</b> Exhaust Pressure Switch:                |              |
| Serial prior to AA (external pressure switch kit) | 265-45222-04 |
| Serial AA thru CE7818522                          | 239-44723-04 |
| Serial CE7818523 & after                          | 239-46037-01 |

## Parts Unique To EF60T150(E)\*(N,X)(A)2

| Reference Number and Description                  | Part Number  |
|---|--------------|
| <b>21</b> Exhaust Pressure Switch:                |              |
| Serial prior to AA (external pressure switch kit) | 265-45222-03 |
| Serial AA thru CE7818522                          | 239-44723-03 |
| Serial CE7818523 & after                          | 239-46037-01 |

## Parts Unique To EF60T199(E)\*(N,X)(A)2 Models

| Reference Number and Description                  | Part Number  |
|---|--------------|
| <b>21</b> Exhaust Pressure Switch:                |              |
| Serial prior to AA (external pressure switch kit) | 265-45222-01 |
| Serial AA thru CE7818522                          | 239-44723-01 |
| Serial CE7818523 & after                          | 239-46037-01 |

\* Applies to all warranties

## Parts Common To EF100T(150,199,250,300)(E)\*(N,X)(A)(2) Models

| Reference Number and Description                       | Part Number  |
|--|--------------|
| 1 Combustion Surround Assembly                         | See Page 8   |
| 2 Combustion System Assembly                           | See Page 9   |
| 3 Collector Cover Second Pass                          | 239-43454-00 |
| 4 Screw-Second Pass Collector Cover                    | 239-44444-00 |
| 5 Elbow-Vent Terminal (2 Req'd)                        | 239-40579-00 |
| 6 Temperature sensor                                   | 239-82034-00 |
| 8 Anode Rod (magnesium) (4 Req'd) 2                    | 24-32758-30  |
| 9 Baffle 2" Flue (8 Req'd)                             | 239-45658-00 |
| 10 Wire Harness-Service Panel                          | 239-43358-01 |
| 11 Nipple Hot Water Outlet                             | 229-40913-07 |
| 12 Pipe Plug 1" NPT                                    | 239-02048-00 |
| 12A Hole Closure                                       | 239-31547-02 |
| 15 Exhaust Outlet (PVC) with Hose Barb                 | 239-45971-00 |
| 16 Condensate Trap Elbow                               | 239-43211-00 |
| 17 Screw Service Panel (serial prior to AA)            | 239-42637-00 |
| 18 Outer Door Service Panel (serial prior to AA)       | 243-43278-00 |
| 18A Outer Door EF series (serial after ZM)             | 243-44668-00 |
| 20 Service Panel Bracket (serial prior to AA)          | See Note     |
| 22 Keps Nut  | 239-81844-00 |
| 23 Resettable Limit Switch                             | 239-43238-02 |
| 24 Screw 6-32 x 3/8                                    | 239-81843-00 |
| 25 Cleanout Cover                                      | 205-18428-00 |
| 26 Cleanout Gasket                                     | 205-18427-00 |
| 27 Screw 5/16 - 18 x 1/2                               | 239-82166-00 |
| 25A Cleanout Cover (ASME)                              | 205-32941-00 |
| 26A Cleanout Gasket (ASME)                             | 205-32942-00 |
| 27A Screw 5/16 - 18 x 1/2 (ASME)                       | 239-32970-00 |
| 28 Clean Out Access Cover                              | 243-20299-00 |
| 29 Inlet tube Hydrojet                                 | 229-44375-00 |
| 30 Drain Valve Brass (no handle)                       | 227-42351-01 |
| 34 Exhaust Escutcheon                                  | 239-43997-00 |
| 35 Elbow 1-1/2 NPT Galvanized (serial prior to AB)     | 239-43374-00 |
| 36 Horizontal Inlet/Outlet Nipple (serial prior to AB) | 229-40913-01 |
| 37 Vertical Outlet Nipple (serial prior to AB)         | 229-41573-02 |
| 38 Cold Water Inlet Dip Tube (serial prior to AB)      | 229-43192-06 |
| <b>Optional Parts Reference Number and Description</b> |              |
| 8 Anode Rod (Aluminium) (4 Req'd)                      | 224-38508-01 |
| 31 Coaxial Vent Terminal Horizontal/Vertical. 3"       | 239-44069-01 |
| 3 ASSE Approved Mixing Valve                           | 239-43740-02 |

\* Applies to all warranties

Note: Service panel bracket no longer available. Replace with external pressure switch kit for serials prior to AA (Item 21).

## Parts Common To EF100T399(E)\*(N,X)(A)(2) Models

| Reference Number and Description           | Part Number  |
|--|--------------|
| <b>1</b> Combustion Surround Assembly      | See Page 8   |
| <b>2</b> Combustion System Assembly        | See Page 9   |
| <b>3</b> Collector Cover Second Pass       | 239-43454-00 |
| <b>4</b> Screw-Second Pass Collector Cover | 239-44444-00 |
| <b>5</b> Elbow-Vent Terminal (2 Req'd)     | 239-40579-00 |
| <b>6</b> Temperature sensor                | 239-82034-00 |
| <b>8</b> Anode Rod (magnesium) (1 Req'd)   | 224-32758-30 |
| <b>8A</b> Power Anode (2 Req'd)            | 224-46075-00 |
| <b>9</b> Baffle 2" Flue (8 Req'd)          | 239-45658-00 |
| <b>10</b> Wire Harness-Service Panel       | 239-43358-01 |
| <b>11</b> Nipple Hot Water Outlet          | 229-40913-07 |
| <b>12</b> Pipe Plug 1" NPT                 | 239-02048-00 |
| <b>12A</b> Hole Closure                    | 239-31547-02 |
| <b>16</b> Condensate Trap Elbow            | 239-46227-00 |
| <b>18B</b> Outer Door                      | 243-46231-00 |
| <b>22</b> Keps Nut                         | 239-81844-00 |
| <b>23</b> Resettable Limit Switch          | 239-43238-02 |
| <b>24</b> Screw 6-32 x 3/8                 | 239-81843-00 |
| <b>25</b> Cleanout Cover                   | 205-18428-00 |
| <b>26</b> Cleanout Gasket                  | 205-18427-00 |
| <b>27</b> Screw 5/16 - 18 x 1/2            | 239-82166-00 |
| <b>25A</b> Cleanout Cover (ASME)           | 205-32941-00 |
| <b>26A</b> Cleanout Gasket (ASME)          | 205-32942-00 |
| <b>27A</b> Screw 5/16 - 18 x 1/2 (ASME)    | 239-32970-00 |
| <b>28</b> Clean Out Access Cover           | 243-20299-00 |
| <b>29</b> Inlet tube Hydrojet              | 229-44375-00 |
| <b>30</b> Drain Valve Brass (no handle)    | 227-42351-01 |
| <b>34</b> Exhaust Escutcheon               | 239-43997-00 |

| Optional Parts Reference Number and Description         | Part Number  |
|---|--------------|
| <b>8</b> Anode Rod (Aluminium) (1 Req'd)                | 224-38508-01 |
| <b>31</b> Coaxial Vent Terminal Horizontal/Vertical. 3" | 239-44069-01 |
| <b>32</b> ASSE Approved Mixing Valve                    | 239-43740-02 |

\* Applies to all warranties

### Parts Unique To EF100T150(E)\*(N,X)(A)(2) Models

| Reference Number and Description                  | Part Number  |
|---|--------------|
| 13 Nipple Plasticsert 3/4" NPT x 2"               | 229-32762-02 |
| 14 T&P Relief Valve                               | 230-30246-00 |
| 21 Exhaust Pressure Switch:                       |              |
| Serial Prior to AA (external pressure switch kit) | 265-45222-01 |
| Serial AA thru CE7818522                          | 239-44723-01 |
| Serial CE7818523 & after                          | 239-46037-01 |

### Parts Unique To EF100T199(E)\*(N,X)(A)(2) Models

| Reference Number and Description                  | Part Number  |
|---|--------------|
| 7 Baffle 4" Flue (2 Req'd)                        | 243-43304-00 |
| 13 Nipple Plasticsert 1" NPT x 2-1/2"             | 229-32762-02 |
| 14 T&P Relief Valve                               | 230-30246-00 |
| 21 Exhaust Pressure Switch:                       |              |
| Serial Prior to AA (external pressure switch kit) | 265-45222-03 |
| Serial AA thru CE7818522                          | 239-44723-03 |
| Serial CE7818523 & after                          | 239-46037-01 |

### Parts Unique To EF100T250(E)\*(N,X)(A)(2) Models

| Reference Number and Description      | Part Number  |
|---------------------------------------|--------------|
| 7 Baffle 4" Flue (2 Req'd)            | 243-43304-00 |
| 13 Nipple Plasticsert 1" NPT x 2-1/2" | 239-80982-00 |
| 14 T&P Relief Valve                   | 230-33630-04 |
| 21 Exhaust Pressure Switch:           |              |
| Serial Prior to CE7818522             | 239-44723-05 |
| Serial CE7818523 & after              | 239-46037-01 |

### Parts Unique To EF100T300(E)\*(N,X)(A)(2) Models

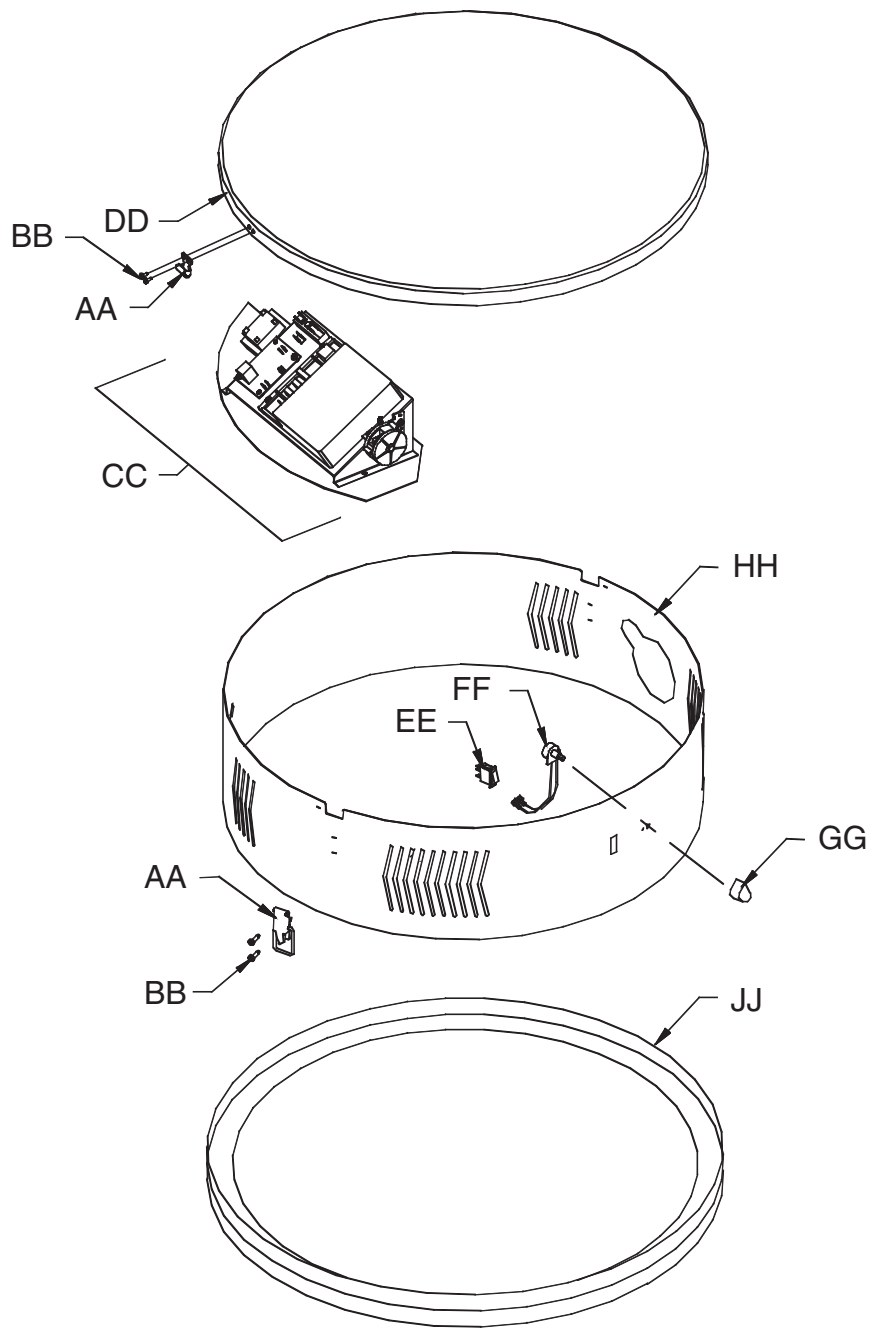
| Reference Number and Description      | Part Number  |
|---------------------------------------|--------------|
| 7 Baffle 4" Flue (2 Req'd)            | 243-43304-00 |
| 13 Nipple Plasticsert 1" NPT x 2-1/2" | 239-80982-00 |
| 14 T&P Relief Valve                   | 230-33630-04 |
| 21 Exhaust Pressure Switch            |              |
| Serial Prior to CE7818522             | 239-44723-05 |
| Serial CE7818523 & after              | 239-46037-01 |

### Parts Unique To EF100T399(E)\*(N,X)(A)(2) Models

| Reference Number and Description      | Part Number  |
|---------------------------------------|--------------|
| 7 Baffle 4" Flue (2 Req'd)            | 239-46099-00 |
| 13 Nipple Plasticsert 1" NPT x 2-1/2" | 239-80982-00 |
| 14 T&P Relief Valve                   | 230-33630-04 |
| 21 Exhaust Pressure Switch            | 239-46037-01 |

\* Applies to all warranties

# COMBUSTION SURROUND ASSEMBLY



## Parts Common To:

**EF60T(125, 150, 199)(E)\*(N,X)(A)2 Models**

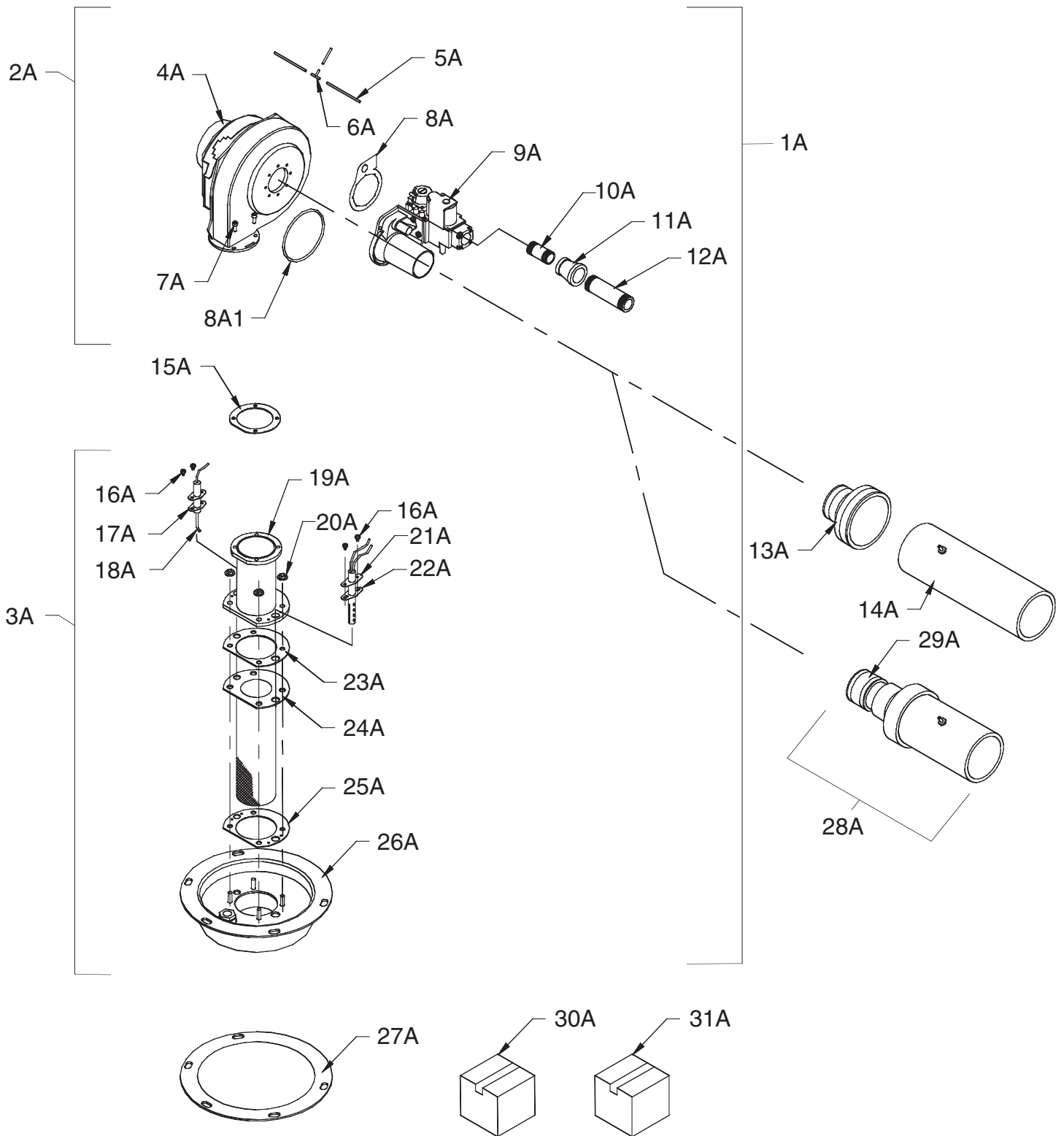
**EF100T(150, 199, 250,300,399)(E)\*(N,X)(A)(2) Models**

| Reference Number and Description   | Part Number     |
|--|-----------------|
| <b>AA</b> Keeper Latch & Catch   | 239-43239-00    |
| <b>BB</b> Screw 8-32 x 1/2 RHCR  | 239-41715-00    |
| <b>CC</b> Ignition Control assembly  | See Page 14     |
| <b>DD</b> Jacket Head  | 243-43240-02    |
| <b>EE</b> Main Power Switch  | 239-43234-00    |
| <b>FF</b> Temperature control potentiometer  | 233-82054-00    |
| <b>GG</b> Knob-Temperature Control   | 239-43235-00    |
| <b>HH</b> Combustion Surround Front Connect (all 60 gal. Models, 100 gal models after serial AA) | 243-46148-00-01 |
| <b>HH</b> Combustion Surround Top Connect (100 gal. Models prior to serial AB)                   | 239-43261-00-01 |
| <b>JJ</b> Combustion Surround Base   | 243-43710-00-01 |

\* Applies to all warranties



# COMBUSTION SYSTEM ASSEMBLY



## COMBUSTION SYSTEM ASSEMBLY (continued)

### Parts Common To:

**EF60T(125,150,199)(E)\*(N,X)(A)2 Models**

**EF100T(150,199,250,300)(E)\*(N,X)(A)(2) Models**

| Reference Number and Description         | Part Number  |
|--|--------------|
| <b>5A</b> Hose Tubing 3/16" I.D.         | 239-41718-00 |
| <b>6A</b> Tee Hose Connector             | 239-43446-00 |
| <b>7A</b> Screw 10-32 x 3/4 SHCS         | 239-43273-00 |
| <b>8A</b> Gasket Venturi to blower       | 239-44654-00 |
| <b>10A</b> Nipple 1/2 NPT x 3"           | 239-37047-00 |
| <b>11A</b> Reducer 3/4 x 1/2 NPT         | 239-04474-00 |
| <b>12A</b> Nipple 3/4 NPT x 6"           | 239-43373-00 |
| <b>13A</b> 2" x 3" Dia. Flex Reducer     | 239-40902-00 |
| <b>14A</b> Inlet Tube (PVC)              | 239-43364-01 |
| <b>15A</b> Gasket Blower Transition      | 239-43241-00 |
| <b>16A</b> Screw 8-32 x 1/4 RHCR         | 239-43272-00 |
| <b>17A</b> Gasket Flame Sensor           | 239-43371-00 |
| <b>18A</b> Flame Sensor W/Gasket         | 265-43232-00 |
| <b>19A</b> Weldment -Blower Transition   | 239-43201-00 |
| <b>20A</b> Nut Hex Washer                | 239-43297-00 |
| <b>21A</b> Hot Surface Igniter W/Gasket  | 265-45543-00 |
| <b>22A</b> Gasket-Hot Surface Igniter    | 239-43370-00 |
| <b>23A</b> Burner Mounting Gasket        | 239-43246-00 |
| <b>25A</b> Burner Mounting Gasket        | 239-43246-00 |
| <b>26A</b> Burner Mounting Insert        | 239-43167-00 |
| <b>27A</b> Gasket-burner Mounting Insert | 239-43197-00 |
| <b>30A</b> Gas Regulator Kit (optional)  | 243-45517-01 |

### Parts Common To:

**EF100T399(E)\*(N,X)(A)(2) Models**

| Reference Number and Description         | Part Number  |
|--|--------------|
| <b>5A</b> Hose Tubing 3/16" I.D.         | 239-41718-00 |
| <b>7A</b> Screw 10-32 x 3/4 SHCS         | 239-43273-00 |
| <b>8A1</b> O-ring Venturi to Blower      | 239-46232-00 |
| <b>10A</b> Nipple 3/4 NPT x 3"           | 239-31811-00 |
| <b>11A</b> Reducer 1 X 3/4 NPT           | 239-46144-00 |
| <b>12A</b> Nipple 1" NPT x 3 1/2"        | 239-81595-00 |
| <b>15A</b> Gasket Blower Transition      | 239-43241-00 |
| <b>16A</b> Screw 8-32 x 1/4 RHCR         | 239-43272-00 |
| <b>17A</b> Gasket Flame Sensor           | 239-43371-00 |
| <b>18A</b> Flame Sensor W/Gasket         | 265-43232-00 |
| <b>19A</b> Weldment -Blower Transition   | 239-43201-00 |
| <b>20A</b> Nut Hex Washer                | 239-43297-00 |
| <b>21A</b> Hot Surface Igniter W/Gasket  | 265-45543-00 |
| <b>22A</b> Gasket-Hot Surface Igniter    | 239-43370-00 |
| <b>23A</b> Burner Mounting Gasket        | 239-43246-00 |
| <b>25A</b> Burner Mounting Gasket        | 239-43246-00 |
| <b>26A</b> Burner Mounting Insert        | 239-43167-00 |
| <b>27A</b> Gasket-Burner Mounting Insert | 239-43197-00 |
| <b>28A</b> Assembly Air Inlet Piping     | 239-46147-00 |
| <b>29A</b> Coupling-Flexible 2" x 2"     | 239-46146-00 |
| <b>30A</b> Gas Regulator Kit (optional)  | 243-45517-02 |

\* Applies to all warranties

**COMBUSTION SYSTEM ASSEMBLY (continued)****Parts Unique To EF60T(125,150)E\*N(A)2 Model**

| Reference Number and Description                        | Part Number  | W/Gasket     |
|---|--------------|--------------|
| <b>1A</b> Combustion System Assembly Complete:          |              |              |
| 125K Input, Serial CJ8233356 & after                    | 243-46025-01 | —            |
| 125K Input, Serial Prior to CJ8233356                   | 243-44056-01 | —            |
| 150K Input, Serial CJ8189467 & after                    | 243-46025-03 | —            |
| 150K Input, Serial Prior to CJ8189467                   | 243-44056-01 | —            |
| <b>2A</b> Blower/Gas valve Assembly:                    |              |              |
| 125K Input, Serial CJ8233356 & after                    | 243-46009-01 | —            |
| 125K Input, Serial Prior to CJ8233356                   | 243-44058-01 | —            |
| 150K Input, Serial CJ8189467 & after                    | 243-46009-03 | —            |
| 150K Input, Serial Prior to CJ8189467                   | 243-44058-01 | —            |
| <b>3A</b> Burner Assembly                               | 243-46023-00 | —            |
| <b>4A</b> Blower-EBM (only)                             | 239-44037-00 | 265-44037-00 |
| <b>9A</b> Gas valve assembly:                           |              |              |
| 125K Input, Serial CJ8233356 & after                    | 243-46007-01 | —            |
| 125K Input, Serial Prior to CJ8233356                   | 243-43368-01 | —            |
| 150K Input, Serial CJ8189467 & after                    | 243-46007-02 | —            |
| 150K Input, Serial Prior to CJ8189467                   | 243-43368-01 | —            |
| <b>24A</b> Burner Tube                                  | 228-45624-00 | 265-45624-00 |
| <b>31A</b> LP to Natural Gas Conversion Kit (optional): |              |              |
| 125K Input, Serial CJ8233356 & after                    | 265-46391-01 | —            |
| 125K Input, Serial Prior to CJ8233356                   | 265-45495-01 | —            |
| 150K Input, Serial CJ8189467 & after                    | 265-46391-02 | —            |
| 150K Input, Serial Prior to CJ8189467                   | 265-45495-01 | —            |

**Parts Unique To EF60T(125,150)\*X(A)2 Model**

| Reference Number and Description               | Part Number  | W/Gasket     |
|--|--------------|--------------|
| <b>1A</b> Combustion System Assembly Complete: |              |              |
| 125K Input, Serial CJ8233356 & after           | 243-46025-02 | —            |
| 125K Input, Serial Prior to CJ8233356          | 243-44056-03 | —            |
| 150K Input, Serial CJ8189467 & after           | 243-46025-04 | —            |
| 150K Input, Serial Prior to CJ8189467          | 243-44056-03 | —            |
| <b>2A</b> Blower/Gas valve Assembly:           |              |              |
| 125K Input, Serial CJ8233356 & after           | 243-46009-02 | —            |
| 125K Input, Serial Prior to CJ8233356          | 243-44058-03 | —            |
| 150K Input, Serial CJ8189467 & after           | 243-46009-04 | —            |
| 150K Input, Serial Prior to CJ8189467          | 243-44058-03 | —            |
| <b>3A</b> Burner Assembly                      | 243-46023-00 | —            |
| <b>4A</b> Blower-EBM (only)                    | 239-44037-00 | 265-44037-00 |
| <b>9A</b> Gas valve assembly:                  |              |              |
| 125K Input, Serial CJ8233356 & after           | 243-46008-01 | —            |
| 125K Input, Serial Prior to CJ8233356          | 243-43757-01 | —            |
| 150K Input, Serial CJ8189467 & after           | 243-46008-02 | —            |
| 150K Input, Serial Prior to CJ8189467          | 243-43757-01 | —            |
| <b>24A</b> Burner Tube                         | 228-45624-00 | 265-45624-00 |

**Parts Unique To EF60T199E\*N(A)2 Model**

| Reference Number and Description                        | Part Number  | W/Gasket     |
|---|--------------|--------------|
| <b>1A</b> Combustion System Assembly Complete:          |              |              |
| Serial CH8167947 & after                                | 243-46025-05 | —            |
| Serial Prior to CH8167947                               | 243-43289-01 | —            |
| <b>2A</b> Blower/Gas valve Assembly:                    |              |              |
| Serial CH8167947 & after                                | 243-46010-01 | —            |
| Serial Prior to CH8167947                               | 243-43367-01 | —            |
| <b>3A</b> Burner Assembly                               | 243-46023-00 | —            |
| <b>4A</b> Blower-EBM (only)                             | 239-43229-00 | 265-43229-00 |
| <b>9A</b> Gas valve assembly:                           |              |              |
| Serial CH8167947 & after                                | 243-46007-02 | —            |
| Serial Prior to CH8167947                               | 243-43368-01 | —            |
| <b>24A</b> Burner Tube                                  | 228-45624-00 | 265-45624-00 |
| <b>31A</b> LP to Natural Gas Conversion Kit (optional): |              |              |
| Serial CH8167947 & after                                | 265-46391-02 | —            |
| Serial Prior to CH8167947                               | 265-45495-01 | —            |

**Parts Unique To EF60T199\*X(A)2 Model**

| Reference Number and Description               | Part Number  | W/Gasket     |
|--|--------------|--------------|
| <b>1A</b> Combustion System Assembly Complete: |              |              |
| Serial CJ8189592 & after                       | 243-46025-06 | —            |
| Serial Prior to CJ8189592                      | 243-43289-04 | —            |
| <b>2A</b> Blower/Gas valve Assembly:           |              |              |
| Serial CJ8189592 & after                       | 243-46010-02 | —            |
| Serial Prior to CJ8189592                      | 243-43367-04 | —            |
| <b>3A</b> Burner Assembly                      | 243-46023-00 | —            |
| <b>4A</b> Blower-EBM (only)                    | 239-43229-00 | 265-43229-00 |
| <b>9A</b> Gas valve assembly:                  |              |              |
| Serial CJ8189592 & after                       | 243-46008-02 | —            |
| Serial Prior to CJ8189592                      | 243-43757-01 | —            |
| <b>24A</b> Burner Tube                         | 228-45624-00 | 265-45624-00 |

\* Applies to all warranties

## COMBUSTION SYSTEM ASSEMBLY (continued)

### Parts Unique To EF100T150E\*N(A)2

| Reference Number and Description                        | Part Number  | W/Gasket     |
|---|--------------|--------------|
| <b>1A</b> Combustion System Assembly Complete:          |              |              |
| Serial CJ8189473 & after                                | 243-46025-03 | —            |
| Serial AH5039100 to CJ8189473                           | 243-44056-01 | —            |
| Serial Prior to AH5039100                               | 243-43289-01 | —            |
| <b>2A</b> Blower/Gas valve Assembly:                    |              |              |
| Serial CJ8189473 & after                                | 243-46009-03 | —            |
| Serial AH5039100 to CJ8189473                           | 243-44058-01 | —            |
| Serial Prior to AH5039100                               | 243-43367-01 | —            |
| <b>3A</b> Burner Assembly                               | 243-46023-00 | —            |
| <b>4A</b> Blower-EBM (only):                            |              |              |
| Serial AH5039100 & after                                | 239-44037-00 | 265-44037-00 |
| Serial Prior to AH5039100                               | 239-43229-00 | 265-43229-00 |
| <b>9A</b> Gas valve assembly:                           |              |              |
| Serial CJ8189473 & after                                | 243-46007-02 | —            |
| Serial AH5039100 to CJ8189473                           | 243-43368-01 | —            |
| Serial Prior to AH5039100                               | 243-43368-01 | —            |
| <b>24A</b> Burner Tube                                  | 228-45624-00 | 265-45624-00 |
| <b>31A</b> LP to Natural Gas Conversion Kit (optional): |              |              |
| Serial CJ8189473 & after                                | 265-46391-02 |              |
| Serial AH5039100 to CJ8189473                           | 265-45495-01 |              |
| Serial Prior to AH5039100                               | 265-45495-01 |              |

### Parts Unique To EF100T150\*X(A)2

| Reference Number and Description               | Part Number  | W/Gasket     |
|--|--------------|--------------|
| <b>1A</b> Combustion System Assembly Complete: |              |              |
| Serial CJ8189473 & after                       | 243-46025-04 | —            |
| Serial AH5039100 to CJ8189473                  | 243-44056-03 | —            |
| Serial Prior to AH5039100                      | 243-43289-04 | —            |
| <b>2A</b> Blower/Gas valve Assembly:           |              |              |
| Serial CJ8189473 & after                       | 243-46009-04 | —            |
| Serial AH5039100 to CJ8189473                  | 243-44058-03 | —            |
| Serial Prior to AH5039100                      | 243-43367-04 | —            |
| <b>3A</b> Burner Assembly                      | 243-46023-00 | —            |
| <b>4A</b> Blower-EBM (only):                   |              |              |
| Serial AH5039100 & after                       | 239-44037-00 | 265-44037-00 |
| Serial Prior to AH5039100                      | 239-43229-00 | 265-43229-00 |
| <b>9A</b> Gas valve assembly:                  |              |              |
| Serial CJ8189473 & after                       | 243-46008-02 | —            |
| Serial AH5039100 to CJ8189473                  | 243-43757-01 | —            |
| Serial Prior to AH5039100                      | 243-43757-01 | —            |
| <b>24A</b> Burner Tube 228-45624-00            | 265-45624-00 |              |

### Parts Unique To EF100T199E\*N(A)2 Model

| Reference Number and Description                        | Part Number  | W/Gasket     |
|---|--------------|--------------|
| <b>1A</b> Combustion System Assembly Complete:          |              |              |
| Serial CH8129544 & after                                | 243-46025-05 | —            |
| Serial Prior to CH8129544                               | 243-43289-01 | —            |
| <b>2A</b> Blower/Gas valve Assembly:                    |              |              |
| Serial CH8129544 & after                                | 243-46010-01 | —            |
| Serial Prior to CH8129544                               | 243-43367-01 | —            |
| <b>3A</b> Burner Assembly                               | 243-46023-00 | —            |
| <b>4A</b> Blower-EBM (only)                             | 239-43229-00 | 265-43229-00 |
| <b>9A</b> Gas valve assembly:                           |              |              |
| Serial CH8129544 & after                                | 243-46007-02 | —            |
| Serial Prior to CH8129544                               | 243-43368-01 | —            |
| <b>24A</b> Burner Tube                                  | 228-45624-00 | 265-45624-00 |
| <b>31A</b> LP to Natural Gas Conversion Kit (optional): |              |              |
| Serial CH8129544 & after                                | 265-46391-02 |              |
| Serial Prior to CH8129544                               | 265-45495-01 |              |

### Parts Unique To EF100T199\*X(A)2 Model

| Reference Number and Description               | Part Number  | W/Gasket     |
|--|--------------|--------------|
| <b>1A</b> Combustion System Assembly Complete: |              |              |
| Serial CH8129544 & after                       | 243-46025-06 | ---          |
| Serial Prior to CH8129544                      | 243-43289-04 | ---          |
| <b>2A</b> Blower/Gas valve Assembly:           |              |              |
| Serial CH8129544 & after                       | 243-46010-02 | ---          |
| Serial Prior to CH8129544                      | 243-43367-04 | ---          |
| <b>3A</b> Burner Assembly                      | 243-46023-00 | ---          |
| <b>4A</b> Blower-EBM (only)                    | 239-43229-00 | 265-43229-00 |
| <b>9A</b> Gas valve assembly:                  |              |              |
| Serial CH8129544 & after                       | 243-46008-02 | ---          |
| Serial Prior to CH8129544                      | 243-43757-01 | ---          |
| <b>24A</b> Burner Tube 228-45624-00            | 265-45624-00 |              |

\* Applies to all warranties

## Combustion System Assembly (continued)

### Parts Unique To EF100T(250,300)E\*N(A)(2) Model

| Reference Number and Description                        | Part Number  | W/Gasket     |
|---|--------------|--------------|
| <b>1A</b> Combustion System Assembly Complete:          |              |              |
| 250K Input, Serial CH8129547 & after                    | 243-46025-07 | —            |
| 250K Input, Serial Prior to CH8129547                   | 243-43289-03 | —            |
| 300K Input, Serial CJ8189532 & after                    | 243-46025-09 | —            |
| 300K Input, Serial Prior to CJ8189532                   | 243-43289-03 | —            |
| <b>2A</b> Blower/Gas valve Assembly:                    |              |              |
| 250K Input, Serial CH8129547 & after                    | 243-46010-03 | —            |
| 250K Input, Serial Prior to CH8129547                   | 243-43367-03 | —            |
| 300K Input, Serial CJ8189532 & after                    | 243-46010-05 | —            |
| 300K Input, Serial Prior to CJ8189532                   | 243-43367-03 | —            |
| <b>3A</b> Burner Assembly                               | 243-46024-00 | —            |
| <b>4A</b> Blower-EBM (only)                             | 239-43229-00 | 265-43229-00 |
| <b>9A</b> Gas valve assembly:                           |              |              |
| 250K Input, Serial CH8129547 & after                    | 243-46007-03 | —            |
| 250K Input, Serial Prior to CH8129547                   | 243-43368-03 | —            |
| 300K Input, Serial CJ8189532 & after                    | 243-46007-04 | —            |
| 300K Input, Serial Prior to CJ8189532                   | 243-43368-03 | —            |
| <b>24A</b> Burner Tube                                  | 228-46019-00 | 265-46019-00 |
| <b>31A</b> LP to Natural Gas Conversion Kit (optional): |              |              |
| 250K Input, Serial CH8129547 & after                    | 265-46391-03 | —            |
| 250K Input, Serial Prior to CH8129547                   | 265-45495-02 | —            |
| 300K Input, Serial CJ8189532 & after                    | 265-46391-04 | —            |
| 300K Input, Serial Prior to CJ8189532                   | 265-45495-02 | —            |

### Parts Unique To EF100T(250,300)\*X(A)(2) Model

| Reference Number and Description               | Part Number  | W/Gasket     |
|--|--------------|--------------|
| <b>1A</b> Combustion System Assembly Complete: |              |              |
| 250K Input, Serial CH8129547 & after           | 243-46025-08 | —            |
| 250K Input, Serial Prior to CH8129547          | 243-43289-06 | —            |
| 300K Input, Serial CJ8233356 & after           | 243-46025-10 | —            |
| 300K Input, Serial Prior to CJ8233356          | 243-43289-06 | —            |
| <b>2A</b> Blower/Gas valve Assembly:           |              |              |
| 250K Input, Serial CH8129547 & after           | 243-46010-04 | —            |
| 250K Input, Serial Prior to CH8129547          | 243-43367-06 | —            |
| 300K Input, Serial CJ8233356 & after           | 243-46010-06 | —            |
| 300K Input, Serial Prior to CJ8233356          | 243-43367-06 | —            |
| <b>3A</b> Burner Assembly                      | 243-46024-00 | —            |
| <b>4A</b> Blower-EBM (only)                    | 239-43229-00 | 265-43229-00 |
| <b>9A</b> Gas valve assembly:                  |              |              |
| 250K Input, Serial CH8129547 & after           | 243-46008-03 | —            |
| 250K Input, Serial Prior to CH8129547          | 243-43757-03 | —            |
| 300K Input, Serial CJ8233356 & after           | 243-46008-04 | —            |
| 300K Input, Serial Prior to CJ8233356          | 243-43757-03 | —            |
| <b>24</b> A Burner Tube                        | 228-46019-00 | 265-46019-00 |

### Parts Unique To EF100T399E\*N(A)(2) Model

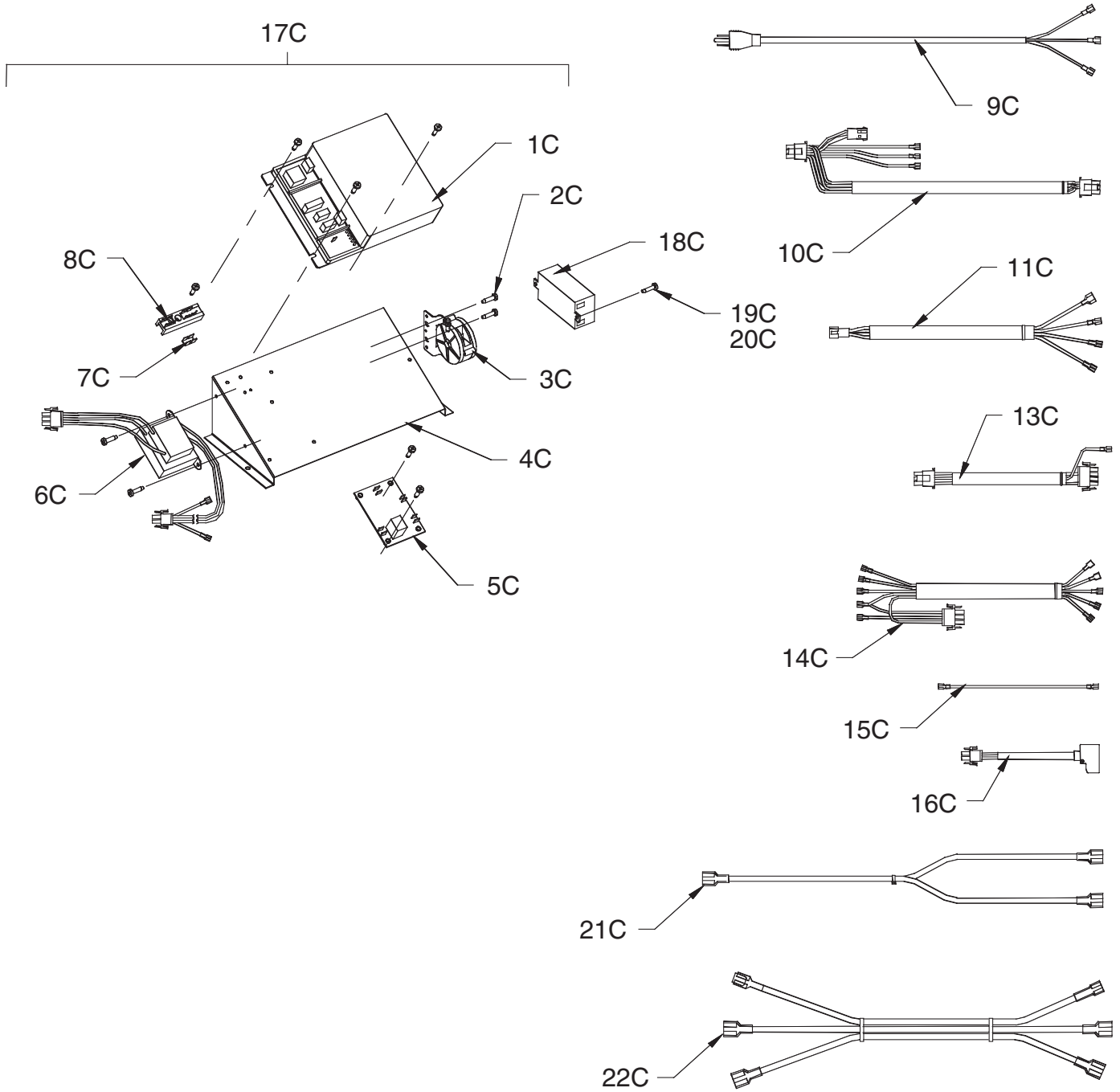
| Reference Number and Description              | Part Number  | W/Gasket     |
|---|--------------|--------------|
| <b>1A</b> Combustion System Assembly Complete | 243-46156-01 | —            |
| <b>2A</b> Blower/Gas valve Assembly           | 243-46153-01 | —            |
| <b>3A</b> Burner Assembly                     | 243-46024-00 | —            |
| <b>4A</b> Blower-EBM (only)                   | 239-46098-00 | 265-46098-00 |
| <b>9A</b> Gas valve assembly                  | 243-46151-01 | —            |
| <b>24A</b> Burner Tube                        | 228-46019-00 | 265-46019-00 |

### Parts Unique To EF100T399\*X(A)(2) Model

| Reference Number and Description              | Part Number  | W/Gasket     |
|---|--------------|--------------|
| <b>1A</b> Combustion System Assembly Complete | 243-46156-02 | —            |
| <b>2A</b> Blower/Gas valve Assembly           | 243-46153-02 | —            |
| <b>3A</b> Burner Assembly                     | 243-46024-00 | —            |
| <b>4A</b> Blower-EBM (only)                   | 239-46098-00 | 265-46098-00 |
| <b>9A</b> Gas valve assembly                  | 243-46151-02 | —            |
| <b>24A</b> Burner Tube                        | 228-46019-00 | 265-46019-00 |

\* Applies to all warranties

# IGNITION CONTROL ASSEMBLY



## IGNITION CONTROL ASSEMBLY (continued)

### Parts Common To:

**EF60T(125,150,199)(E)\*(N,X)(A)2 Models**

**EF100T(150,199,250,300,399)(E)\*(N,X)(A)(2) Models**

| Reference Number and Description                   | Part Number       |
|--|-------------------|
| <b>1C</b> Electronic Control Module                | 233-46045-00      |
| <b>4C</b> Control Mounting Panel                   | 239-43268-00      |
| <b>5C</b> Thermostat Board                         | 233-41346-00      |
| <b>6C</b> Transformer                              | 233-43346-00      |
| <b>7C</b> Ground Terminal                          | 239-80112-00      |
| <b>8C</b> Terminal Strip                           | 239-80373-00      |
| <b>9C</b> Power Cord                               | 239-44466-00      |
| <b>10C</b> Wire Harness-Electronic Control Module: |                   |
| Serial CE7818523 & after                           | 239-43290-00      |
| Serial Prior to CE7818523                          | Call Tech Support |
| <b>11C</b> Wire Harness-Thermostat & ECO           | 239-43291-00      |
| <b>13C</b> Wire Harness-Blower                     | 239-43292-00      |
| <b>14C</b> Wire Harness-Power Switch               | 239-43347-00      |
| <b>15C</b> Wire-Flame Sensor                       | 239-38951-59      |

### Parts unique To:

**EF60T(125,150,199)(E)\*(N,X)(A)2 Models**

**EF100T(150,199,250,300)(E)\*(N,X)(A)(2) Models**

| Reference Number and Description   | Part Number  |
|--|--------------|
| <b>2C</b> Screw #8-32 x 1/2 (10 reqd)(models prior to serial CE7818523 only) | 239-41715-00 |
| <b>3C</b> Vacuum Switch-Intake (models prior to serial CE7818523 only)       | 239-44724-01 |
| <b>16C</b> Wire Harness-Gas Valve Rectifier                                  | 239-43571-00 |
| <b>17C</b> Ignition Control Assembly   | 243-43288-00 |

### Parts unique To:

**EF100T399(E)\*(N,X)(A)2**

| Reference Number and Description                  | Part Number  |
|---|--------------|
| <b>16C</b> Wire Harness-Gas Valve                 | 239-46158-00 |
| <b>17C</b> Ignition Control Assembly              | 243-46249-00 |
| <b>18C</b> Potentiostat for Power Anode           | 239-46229-00 |
| <b>19C</b> Screw #4-40 x 3/8 RHCR (2 reqd)        | 239-46061-00 |
| <b>20C</b> Nut #4-40 Hex Keps (2 reqd)(not shown) | 239-22263-00 |
| <b>21C</b> Harness Power Anode                    | 239-46070-00 |
| <b>22C</b> Harness Power Anode Control            | 239-46247-00 |

\* Applies to all warranties



Ambler, PA

For U.S. and Canada field service,  
contact your professional installer or  
local Bradford White sales representative.

**Sales/800-523-2931**  
**Fax/215-641-1670**

**Application & Sizing/800-523-2931**  
**Fax/215-641-1612**

**Technical Support/800-334-3393**  
**Fax/269-795-1089**

**Warranty/800-531-2111**  
**Fax/269-795-1089**

**International:**  
**Telephone/215-641-9400**  
**Telefax/215-641-9750**



Mississauga, ON

**Sales/Technical Support**  
**866-690-0961**  
**905-238-0100**

**Fax/905-238-0105**

**Email**

**parts@bradfordwhite.com**  
**techserv@bradfordwhite.com**

**www.bradfordwhite.com**  
**www.bradfordwhitecanada.com**

