

## THE RIGHT CHOICE

We thank you for your purchase. Our products are 100% tested but should you have any questions, please contact us by phone or visit our website.



Left Handle

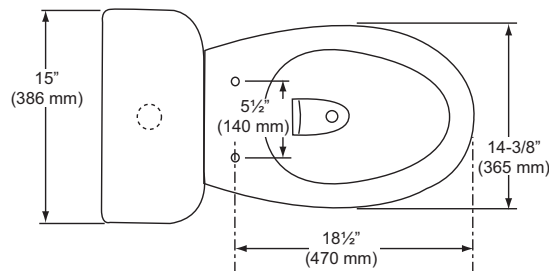
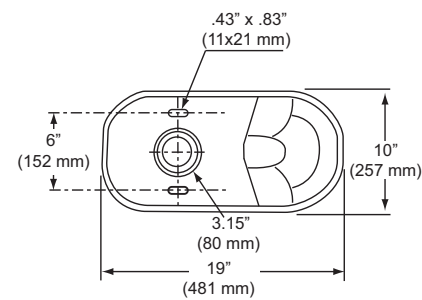
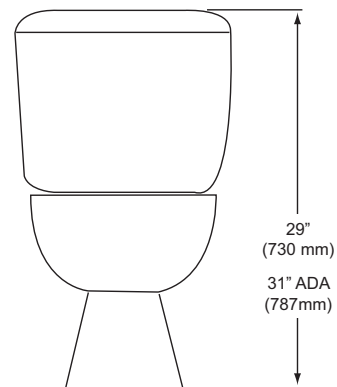
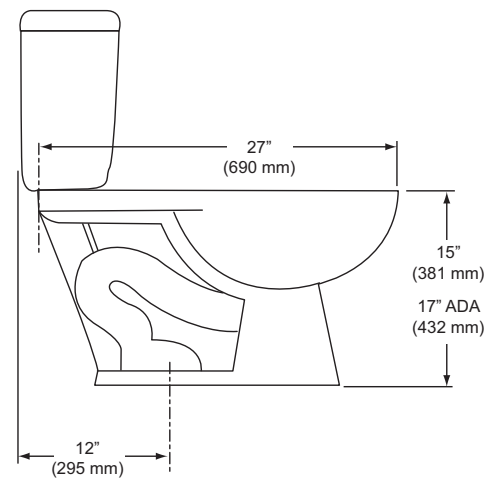


Dual Flush



Right Handle

## ROUGH-IN



## RECOMMENDED TOOLS AND MATERIALS

- 10" Adjustable Wrench
- Level
- Screwdriver
- Putty Knife
- Sponge
- 1/2" Nut Driver or Socket
- Safety Glasses
- Hacksaw
- Wax Seal or Outlet Gasket
- Supply Shut-Off Valve
- Tape Measure
- Tubing Cutter
- Pipe Wrench

## BEFORE YOU BEGIN

1. Observe all local plumbing and building codes.
2. Carefully inspect the new toilet and components for damage.

**NOTE:** Porcelain toilets are extremely fragile. Please handle with care to avoid breakage.

## 1. REMOVE THE EXISTING TOILET

Turn the water supply off. Flush the toilet, and sponge out any remaining water. Disconnect the water supply connection.

Remove the old bolt caps, toilet, and T-bolts. Cover drain with rag and scrape off the old wax seal from the closet flange.

Insert T-bolts in floor flange, and secure them with the locking washers in order to hold them in place while installing the bowl.

## 2. INSTALL GASKET AND TOILET BOWL

Set the toilet bowl on its side or upside down on protective padding. Press the gasket onto the toilet bottom outlet. Remove the temporary rag (if used) from the closet flange.

### !!! IMPORTANT !!!

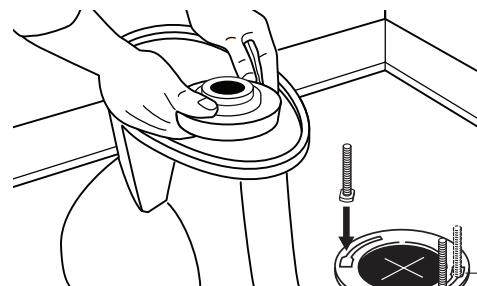
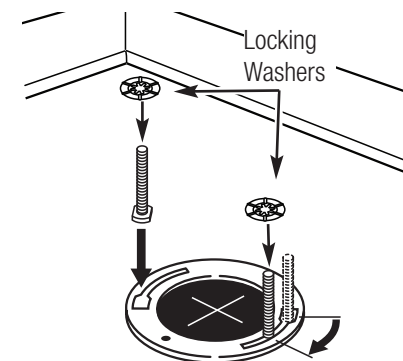
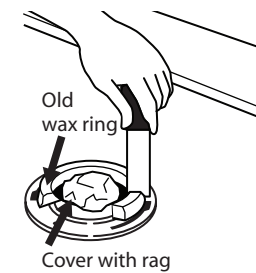
With the exception of the water supply Inlet, **DO NOT** use pipe sealant or plumbing grease on any component!

If you have questions about how to install your Sloan Toilet, consult your local Sloan Representative or call Sloan Installation Engineering Department at:

1-888-SLOAN-14 (1-888-756-2614)

### ⚠ CAUTION: Risk of personal injury or product damage.

Handle with care. Vitreous china can break or chip if the bolts and nuts are overtightened, or if the product is handled carelessly.



Carefully align and lower the toilet over and onto the closet flange while having the T-bolts come through the holes of the bowl. Firmly press down and apply weight evenly.

**WARNING:** Do not rock or move the toilet after placement. A new gasket must be installed if you break the seal.

Place the bolt cap bases, bolt washers, and flange nuts onto bolts.

Alternately tighten the nuts a couple of turns until snug. Verify that toilet is leveled. If the bolts extend more than 1/4" (6 mm) from the top of the nut, cut off any excess with a hacksaw, and file the cut edges. Snap the bolt cap over the bolt cap base. If desired place a bead of caulk (not supplied) around the base of the toilet bowl where it contacts the floor.

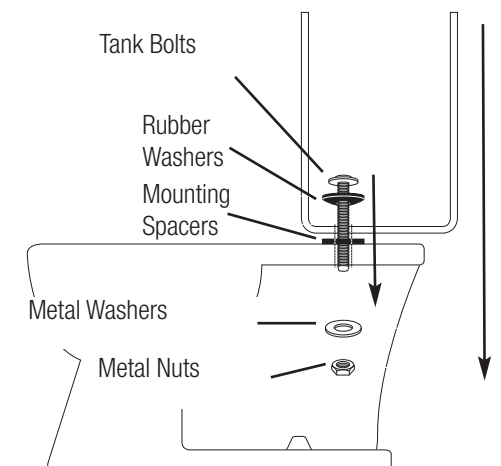
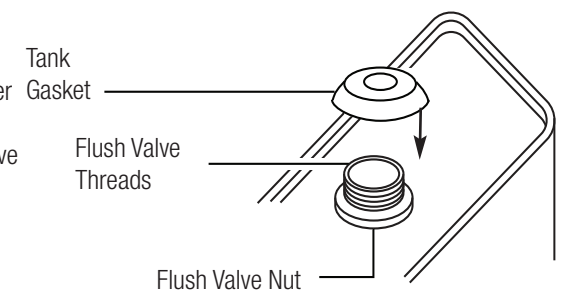
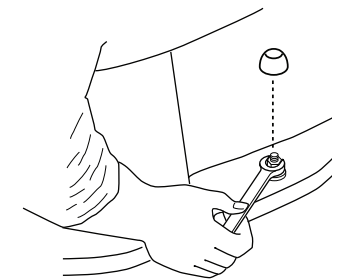
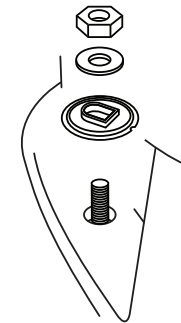
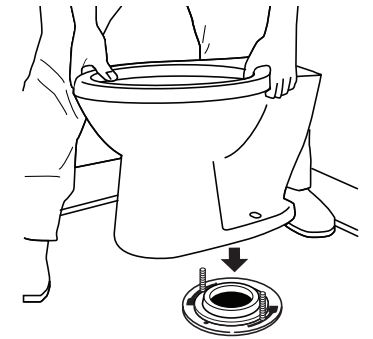
## 3. INSTALL TANK TO BOWL

Turn the tank upside down and rest on protective padding. Install the tank gasket over the bottom threads of the flush valve, making sure that the tank gasket covers the flush valve nut and the tapered side is toward the bowl.

Lift the tank, right side up and position the tank on the bowl by centering the gasket and aligning holes on the bowl. Install tank bolts with included rubber washers with tapered side down, through tank, mounting spacers and bowl. Secure with metal washers and nuts (see illustration). Tighten bolts alternately enough to achieve a watertight seal.

**DO NOT OVERTIGHTEN.**

**!!! IMPORTANT !!!**  
**DO NOT OVERTIGHTEN!**



#### 4. SEE INSTRUCTIONS IN TANK BOX ON HOW TO INSTALL AND ADJUST FILL VALVE AND FLUSH VALVE

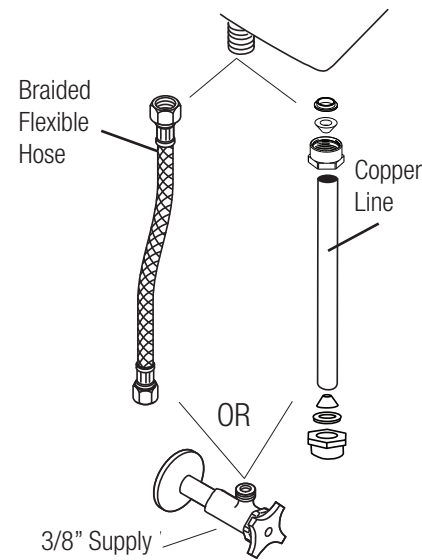
#### 5. CONNECT WATER SUPPLY LINE

Connect the water supply shut-off valve to the toilet tank supply valve.

**NOTE:** Can use braided flexible hose or rigid copper line (not supplied).

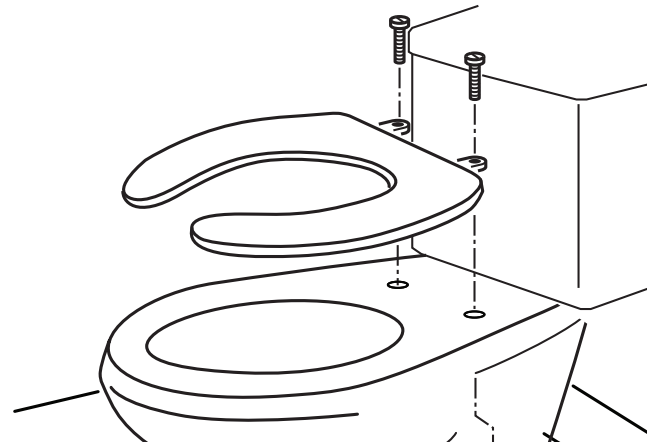
Open the supply shut-off valve slowly and check for leaks.

Flush the toilet several times and check for leaks.



#### 6. INSTALL TOILET SEAT

Toilet seat not included. Refer to toilet seat manufacturers instructions.



### TROUBLESHOOTING GUIDE

#### 1. Poor Flush.

- Adjust the tank water level to the marked water line on overflow tube.
- Make sure water supply valve is fully open.
- Clear any obstructions from bowl rim holes/trapway & in-line filter. Ream out debris in bowl rim holes.
- Clean bowl, auger trap, auger drain to clear blockage.
- For dual flush, make sure the push button rods are in place and are activating the dual flush assembly. Adjust as needed.

#### 2. Tank takes a long time to fill.

- Make sure water supply valve is fully open.
- Clean any residue from the inlet valve, in-line filter, dual flush cartridge assembly or supply line. Flush the lines to clear any debris.
- Check water pressure supply, operating range is 20-80 PSI.

#### 3. Noisy tank water refill.

- Adjust the water supply line if water pressure is too high.
- Clean any residue from the inlet valve or supply line. Flush the lines to clear any debris.

#### 4. Bowl water continues to flow or tank refill water won't shut off.

- Flapper is not seating properly. Adjust chain slack between flapper and flapper valve.
- Flush handle extension is being restricted. Repair or replace flush handle assembly.
- Clean area of debris and check for any wear around the flapper or dual flush valve seat on opening to allow seal.
- For dual flush, adjust the push button rods for proper slack, so the fill valve seal is not held off the flush valve.

#### 5. Handle/dual flush button does not activate plunger.

- Adjust chain linkage.
- Check arm for breakage. Replace if necessary.
- Check push button rods for breakage or adjustment.

#### 6. If the water rises in bowl during the flush and stays there, or drains slowly.

- Ensure that the chain connected to flapper is adjusted properly. Too much slack will result in the flapper closing too soon, not enough slack will result in not seating properly and leaking. There should be enough slack to allow the flapper to seat properly.
- Check the plumbing system venting. Fill a basin near the location of the toilet and open the drain. If the water drains quickly with no visible problem, there is no venting problem. If there is a venting problem the sluggish/poor performance is not a fixture problem.
- Make sure the water surface level in tank bowl is correct. Adjust if necessary.

#### 7. Leaking tanks.

- Check flapper and flapper seat in tank for warping or degradation. Many cleaning chemicals commonly used in tanks contain chlorine that attacks these parts causing warping and degradation.
- Check tank for cracks. If cracked the tank must be replaced.
- Check tank bolts. Rubber washers may be corroded or bolts may be loose. Replace or tighten as necessary.

**NOTE:** be careful not to overtighten nuts on tank as this may result in cracking the tank.

- Check for condensation. Very cold water can generate condensation in high temperature and humid areas in unlined tanks.

#### 8. Cleaning and Maintenance

Clean your toilet's bowl and your china lavatory at least once a week using only recommended cleaners (such as Sloan's Waterfree Urinal cleaner). If you live in a hard water area, you should make certain that the holes under the rim are kept clean and maintained for proper bowl performance. Use a long-handled brush to clean the rim holes. Make sure to periodically clean the in-line filter located in the water inlet of the water supply valve.

**CAUTION:** Do not use in-tank cleaners. Products containing chlorine (calcium hypochlorite) can seriously damage the fittings in your tank. This damage can cause leakage and property damage.

For more complete up-to date information please visit us at [www.sloanvalve.com](http://www.sloanvalve.com).

If further assistance is required,  
please contact the Sloan Valve Company  
Installation Engineering Department at:  
1-888-SLOAN-14 (1-888-756-2614)

### PARTS LIST

| Code #  | Part #    | Description   |
|---------|-----------|---|
| 2109012 | ST-9012-A | Gravity Tank Assembly 1.6/1.1 gpf (6.0/4.2 Lpf)     |
| 2109013 | ST-9013-A | Gravity Tank Assembly 1.6 gpf (6.0 Lpf) Left Hand   |
| 2109010 | ST-9010-A | Gravity Tank Assembly 1.28 gpf (4.8 Lpf) Left Hand  |
| 2109113 | ST-9113-A | Gravity Tank Assembly 1.6 gpf (6.0 Lpf) Right Hand  |
| 2109110 | ST-9110-A | Gravity Tank Assembly 1.28 gpf (4.8 Lpf) Right Hand |
| 2109000 | ST-9000-A | Gravity Closet Bowl 1.28 gpf (4.8 Lpf)              |
| 2109002 | ST-9002-A | Gravity Closet Bowl 1.6/1.1 gpf (6.0/4.2 Lpf)       |
| 2109003 | ST-9003-A | Gravity Closet Bowl 1.6 gpf (6.0 Lpf)               |
| 2109020 | ST-9020-A | Gravity Closet Bowl ADA 1.28 gpf (4.8 Lpf)          |
| 2109023 | ST-9023-A | Gravity Closet Bowl ADA 1.6 gpf (6.0 Lpf)           |

### Repair Parts Kits

| Code #  | Part #       | Description  |
|---------|--------------|--|
| 0319140 | ST-15-A-1.28 | Fill Valve-1.28 gpf (4.8 Lpf)  |
| 0319142 | ST-15-A-1.6  | Fill Valve- 1.6 gpf (6.0 Lpf)  |
| 0319131 | ST-19-A-1.28 | Single Flush Valve Assembly – 1.28 gpf (4.8 Lpf)                                     |
| 0319154 | ST-19-A-1.6  | Single Flush Valve Assembly – 1.6 gpf (6.0 Lpf)                                      |
| 0319132 | ST-23-A      | Dual Flush Valve Assembly – 1.6/1.1 gpf (6.0/4.2 Lpf)                                |
| 0319145 | ST-36-A      | Handle Repair Kit (Single Flush)   |
| 0319148 | ST-37-A      | Button Repair Kit for (Dual Flush)   |
| 0319172 | ST-48        | Flapper and Chain  |
| 0319181 | ST-60-A      | Gravity Closet Mounting Kit<br>(tank & johnny bolt assemblies, tank gasket, spacers) |

### LIMITED WARRANTY

Sloan Valve Company warrants its Sloan toilet tank systems to be made of first class materials, free from defects of material or workmanship under normal use and to perform the service for which they are intended in a thoroughly reliable and efficient manner when properly installed and serviced, for a period of three years from date of purchase. During this period, Sloan Valve Company will, at its option, repair or replace any part or parts which prove to be thus defective if returned to Sloan Valve Company, at customer's cost, and this shall be the sole remedy available under this warranty. No claims will be allowed for labor, transportation or other incidental costs. This warranty extends only to persons or organizations who purchase Sloan Valve Company's products directly from Sloan Valve Company for purpose of resale.

**THERE ARE NO WARRANTIES WHICH EXTEND BEYOND THE DESCRIPTION ON THE FACE HEREOF. IN NO EVENT IS SLOAN VALVE COMPANY RESPONSIBLE FOR ANY CONSEQUENTIAL DAMAGES OF ANY MEASURE WHATSOEVER.**

# SLOAN®

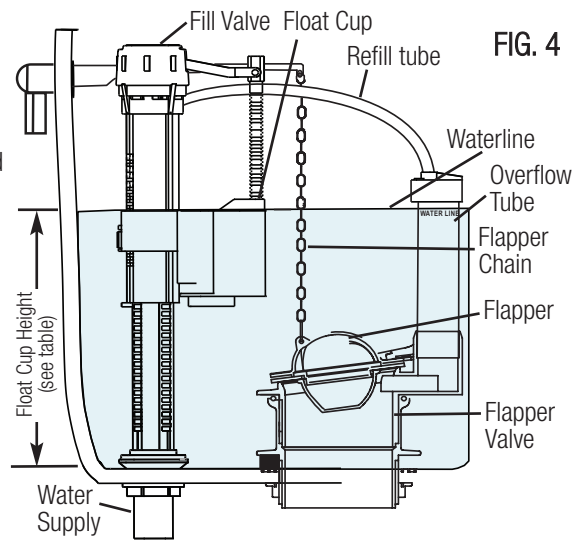
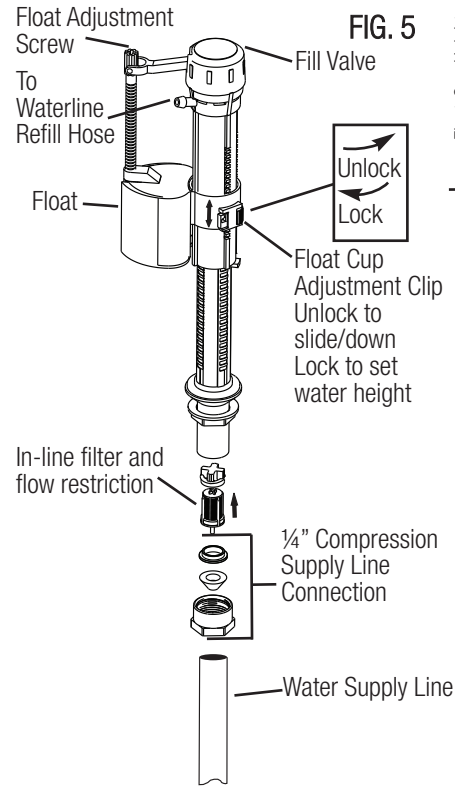
10500 Seymour Avenue  
Franklin Park, IL 60131  
Ph: 1-800-982-5839 or  
1-847-671-4300  
Fax: 1-800-447-8329 or  
1-847-671-4380  
[www.sloanvalve.com](http://www.sloanvalve.com)

Code No: 0816425 – Rev. 4 (02/11)



## 6. ADJUSTMENTS AND OPERATIONS OF SINGLE FLUSH TOILETS

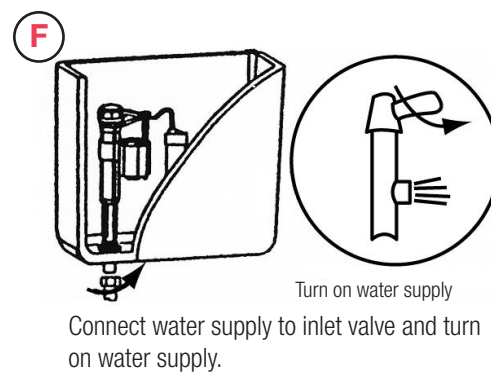
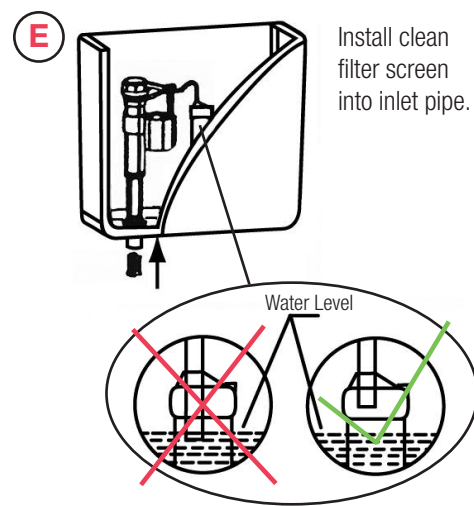
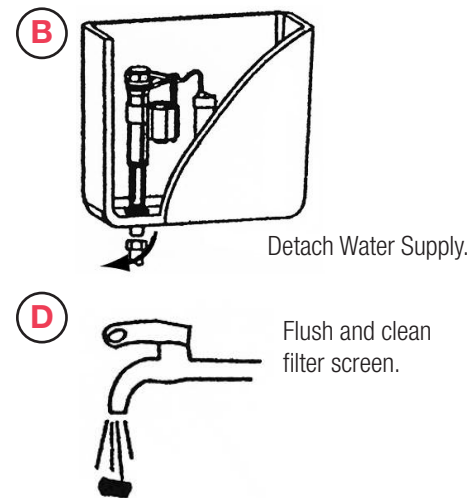
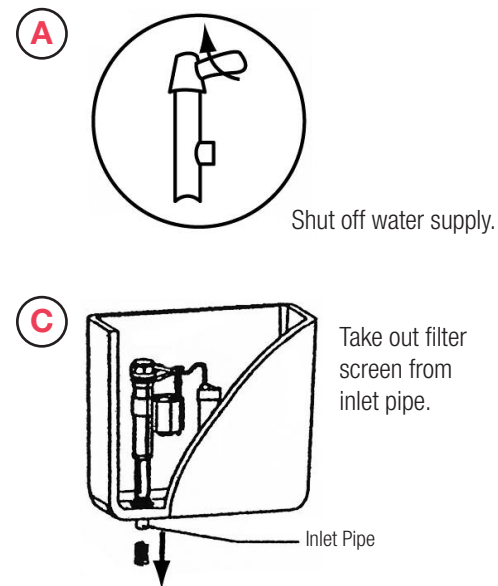
The fill valve is preset at the factory. When replacing the fill valve check for correct float cup height (see figure 4) per volume as listed in the table. It is important that the water level is adjusted to the waterline indicated on the overflow tube (Fig. 4).



For small adjustments, turn the adjustment screw located on float adjustment (Fig 5). Test flush the toilet several times to ensure proper operation. If flapper ball doesn't seat or lift properly when flushed, adjust the flapper chain length by repositioning the chain hook on the chain.

| Float Cup Height | Flush Volume              |
|------------------|---------------------------|
| 8"               | 1.28 gpf (4.8 Lpf)        |
| 8½"              | 1.6/1.1 gpf (6.0/4.2 Lpf) |
| 9"               | 1.6 gpf (6.0 Lpf)         |

## 7. FILTER CLEANING



## TROUBLESHOOTING

### 1. Poor Flush.

- Adjust the tank water level to the marked water line on overflow tube.
- Make sure water supply valve is fully open.
- For dual flush, make sure the push button rods are in place and are activating the dual flush assembly. Adjust as needed.

### 2. Tank takes a long time to fill.

- Make sure water supply valve is fully open.
- Clean any residue from the inlet valve, in-line filter, dual flush cartridge assembly or supply line. Flush the lines to clear any debris.
- Check water pressure supply, operating range is 20-80 PSI.

### 3. Water level too high or too low.

- Adjust the float adjustment screw or float cup.

### 4. Fill valve fails to shut off or fails to fill tank.

- Verify water supply is on.
- Filter screen is clogged. Clean filter screen.
- Verify refill hose is not obstructed or kinked.

### 5. Noisy tank water refill.

- Adjust the water supply line if water pressure is too high.
- Clean any residue from the inlet valve or supply line. Flush the lines to clear any debris.

### 6. Bowl water continues to flow or tank refill water won't shut off.

- Flapper is not seating properly. Adjust chain slack between flapper and flapper valve.
- Flush handle extension is being restricted. Repair or replace flush handle assembly.
- Clean area of debris and check for any wearing around the flapper or dual flush valve seat on opening to allow seal.
- For dual flush, adjust the push button rods for proper slack, so the fill valve seal is not held off the flush valve.

### 7. Handle/dual flush button does not activate plunger.

- Adjust chain linkage.
- Check arm for breakage. Replace if necessary.
- Check push button rods for breakage or adjustment.

### 8. If the water rises in bowl during the flush and stays there, or drains slowly.

- Ensure that the chain connected to flapper is adjusted properly. Too much slack will result in the flapper closing too soon, not enough slack will result in not seating properly and leaking. There should be enough slack to allow the flapper to seat properly.
- Check the plumbing system venting. Fill a basin near the location of the toilet and open the drain. If the water drains quickly with no visible problem, there is no venting problem. If there is a venting problem the sluggish/poor performance is not a fixture problem.

## 9. Leaking tanks.

- Check flapper and flapper seat in tank for warping or degradation. Many cleaning chemicals commonly used in tanks contain chlorine that attacks these parts causing warping and degradation.
- Check tank for cracks. If cracked the tank must be replaced.
- Check tank bolts. Rubber washers may be corroded or bolts may be loose. Replace or tighten as necessary.  
**NOTE:** be careful not to overtighten nuts on tank as this may result in cracking the tank.
- Check for condensation. Very cold water can generate condensation in high temperature and humid areas in unlined tanks.

**CAUTION:** Do not use in-tank cleaners. Products containing chlorine (calcium hypochlorite) can seriously damage the fittings in your tank. This damage can cause leakage and property damage.

For more complete up-to date information please visit us at [www.sloanvalve.com](http://www.sloanvalve.com).

If further assistance is required, please contact the Sloan Valve Company Installation Engineering Department at: 1-888-SLOAN-14 (1-888-756-2614)

## PARTS LIST

| Code #  | Part #    | Description   |
|---------|-----------|---|
| 2109012 | ST-9012-A | Gravity Tank Assembly 1.6/1.1 gpf (6.0/4.2 Lpf)     |
| 2109013 | ST-9013-A | Gravity Tank Assembly 1.6 gpf (6.0 Lpf) Left Hand   |
| 2109010 | ST-9010-A | Gravity Tank Assembly 1.28 gpf (4.8 Lpf) Left Hand  |
| 2109113 | ST-9113-A | Gravity Tank Assembly 1.6 gpf (6.0 Lpf) Right Hand  |
| 2109110 | ST-9110-A | Gravity Tank Assembly 1.28 gpf (4.8 Lpf) Right Hand |
| 2109000 | ST-9000-A | Gravity Closet Bowl 1.28 gpf (4.8 Lpf)              |
| 2109002 | ST-9002-A | Gravity Closet Bowl 1.6/1.1 gpf (6.0/4.2 Lpf)       |
| 2109003 | ST-9003-A | Gravity Closet Bowl 1.6 gpf (6.0 Lpf)               |
| 2109020 | ST-9020-A | Gravity Closet Bowl ADA 1.28 gpf (4.8 Lpf)          |
| 2109023 | ST-9023-A | Gravity Closet Bowl ADA 1.6 gpf (6.0 Lpf)           |

## Repair Parts Kits

| Code #  | Part #       | Description  |
|---------|--------------|--|
| 0319140 | ST-15-A-1.28 | Fill Valve-1.28 gpf (4.8 Lpf)  |
| 0319142 | ST-15-A-1.6  | Fill Valve- 1.6 gpf (6.0 Lpf)  |
| 0319131 | ST-19-A-1.28 | Single Flush Valve Assembly – 1.28 gpf (4.8 Lpf)                                     |
| 0319154 | ST-19-A-1.6  | Single Flush Valve Assembly – 1.6 gpf (6.0 Lpf)                                      |
| 0319132 | ST-23-A      | Dual Flush Valve Assembly – 1.6/1.1 gpf (6.0/4.2 Lpf)                                |
| 0319145 | ST-36-A      | Handle Repair Kit (Single Flush)   |
| 0319148 | ST-37-A      | Button Repair Kit for (Dual Flush)   |
| 0319172 | ST-48        | Flapper and Chain  |
| 0319181 | ST-60-A      | Gravity Closet Mounting Kit<br>(tank & johnny bolt assemblies, tank gasket, spacers) |

## LIMITED WARRANTY

Sloan Valve Company warrants its Sloan toilet tank systems to be made of first class materials, free from defects of material or workmanship under normal use and to perform the service for which they are intended in a thoroughly reliable and efficient manner when properly installed and serviced, for a period of three years from date of purchase. During this period, Sloan Valve Company will, at its option, repair or replace any part or parts which prove to be thus defective if returned to Sloan Valve Company, at customer's cost, and this shall be the sole remedy available under this warranty. No claims will be allowed for labor, transportation or other incidental costs. This warranty extends only to persons or organizations who purchase Sloan Valve Company's products directly from Sloan Valve Company for purpose of resale.

**THERE ARE NO WARRANTIES WHICH EXTEND BEYOND THE DESCRIPTION ON THE FACE HEREOF. IN NO EVENT IS SLOAN VALVE COMPANY RESPONSIBLE FOR ANY CONSEQUENTIAL DAMAGES OF ANY MEASURE WHATSOEVER.**

# SLOAN®

10500 Seymour Avenue  
Franklin Park, IL 60131  
Ph: 1-800-982-5839 or  
1-847-671-4300  
Fax: 1-800-447-8329 or  
1-847-671-4380  
[www.sloanvalve.com](http://www.sloanvalve.com)

Code No: 0816427 – Rev. 3 (02/11)